

CATALOG NUMBER	FIG. NO.	CONDUCTOR RANGE ALUMINUM OR COPPER	BOLT HOLE SIZE	DIMENSIONS								RECOMMENDED TIGHTENING TORQUE: IN.LBS N.M
				C MAX.	D	E	H MAX.	K DIA	L	N	T	
KA6U	1	14 STR. - 6 STR.	1/4"	.50 [13]	.63 [16]	----	.51 [13]	.27 [7]	1.06 [27]	.25 [6]	.09 [2]	45 (5)
KA2U	1	14 STR. - 2 STR.	1/4"	.51 [13]	.63 [16]	----	.56 [14]	.27 [7]	1.16 [29]	.31 [8]	.10 [3]	50 (6)
KA25U	1	14 STR. - 1/0 STR.	1/4"	.63 [16]	.81 [21]	----	.92 [23]	.27 [7]	1.50 [38]	.44 [11]	.19 [5]	50 (6)
KA26U	2	6 STR. - 2/0 STR.	1/4"	.64 [16]	.81 [21]	----	.80 [20]	.27 [7]	1.47 [37]	.45 [11]	.19 [5]	120 (14)
KA29U	2	6 STR. - 250 kcmil	5/16"	1.02 [26]	.94 [24]	----	1.14 [29]	.33 [8]	2.00 [51]	.47 [12]	.25 [6]	275 (31)
KA30U	2	6 STR. - 300 kcmil	5/16"	1.02 [26]	.94 [24]	----	1.14 [29]	.33 [8]	2.00 [51]	.45 [11]	.25 [6]	275 (31)
KA31U	2	6 STR. - 350 kcmil	3/8"	1.14 [29]	1.03 [26]	----	1.27 [32]	.42 [11]	2.25 [57]	.52 [13]	.25 [6]	375 (42)
KKA31U-2N	3	6 STR. - 350 kcmil	1/2"	1.27 [32]	3.16 [80]	1.75 [44]	1.52 [39]	.56 [14]	5.50 [140]	.63 [16]	.38 [10]	375 (42)
KA34U	2	4 STR. - 500 kcmil	3/8"	1.52 [39]	1.50 [38]	----	1.58 [40]	.42 [11]	2.81 [71]	.88 [22]	.31 [8]	500 (57)
KA36U	2	2 STR. - 600 kcmil	3/8"	1.52 [39]	1.72 [44]	----	1.58 [40]	.42 [11]	3.19 [81]	.78 [20]	.44 [11]	500 (57)
KA36U-2N	4	2 STR. - 600 kcmil	1/2"	1.52 [39]	3.22 [82]	1.75 [44]	1.57 [40]	.56 [14]	4.69 [119]	.63 [16]	.44 [11]	500 (57)
KA40U	2	300 - 800 kcmil	1/2"	1.77 [45]	1.69 [43]	----	1.95 [50]	.53 [13]	3.38 [86]	.88 [22]	.50 [13]	500 (57)
KA40U-2N	4	300 - 800 kcmil	1/2"	1.77 [45]	3.03 [77]	1.75 [44]	1.95 [50]	.56 [14]	4.75 [121]	.63 [16]	.50 [13]	500 (57)
KA44U	2	500 - 1000 kcmil	1/2"	1.77 [45]	1.69 [43]	----	1.95 [50]	.53 [13]	3.50 [89]	.88 [22]	.50 [13]	600 (68)
KA44U-2N	4	500 - 1000 kcmil	1/2"	1.77 [45]	3.03 [77]	1.75 [44]	1.95 [50]	.56 [14]	4.75 [121]	.63 [16]	.50 [13]	600 (68)

REV.	DATE	DESCRIPTION	BY	C'K'D.
2	7/14/00	UPDATE FORMAT AND ADD NOTE 8 PER ECO 5853.	DB	BM

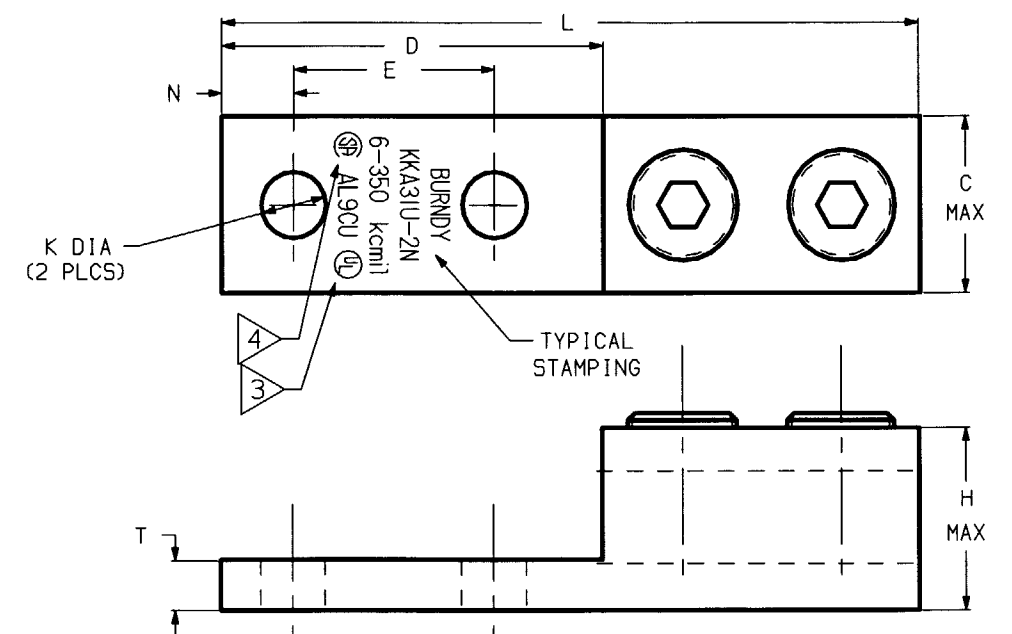


FIG. 3

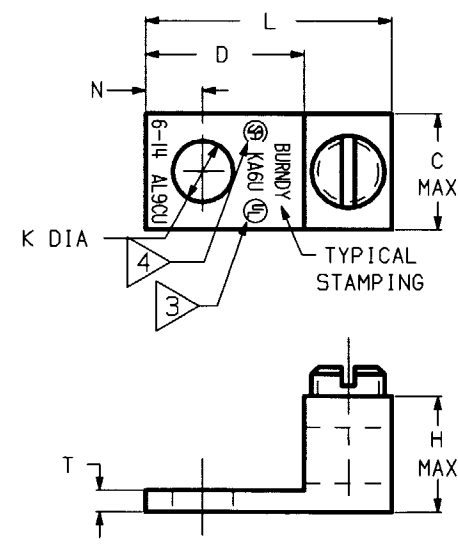


FIG. 1

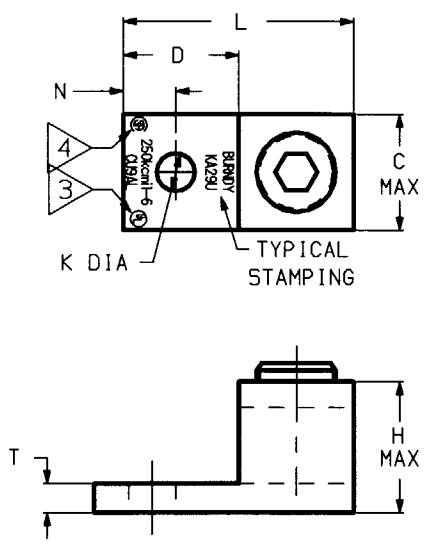


FIG. 2

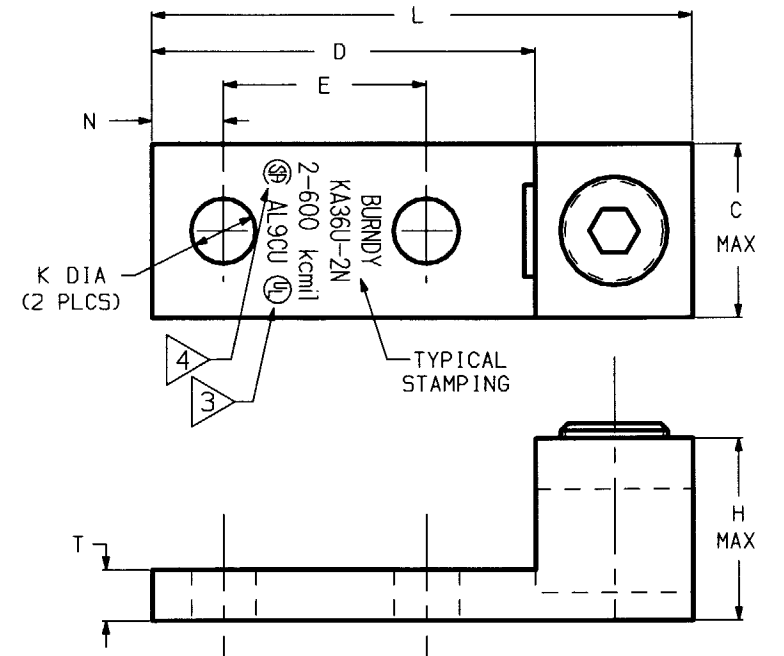


FIG. 4

- NOTES:
- MATERIAL-BODY: ALUMINUM
SCREW: STEEL ALUMINUM
 - FINISH-BODY: TIN PLATED
SCREW: TIN PLATED ZINC PLATED

- CONNECTORS AR UL LISTED TO UL486B FOR INDICATED CONDUCTOR RANGE.
- CONNECTORS ARE CSA CERTIFIED TO C22.2, NO. 65 FOR INDICATED CONDUCTOR RANGE.
- "N" INDICATES NEMA STANDARD STUD HOLES.
- LISTED TORQUE VALUES ARE FOR MAXIMUM CONDUCTOR SIZES ACCOMMODATED. CONSULT UL486 TABLES 7-4, 7-5, & 7-6 FOR SMALLER CONDUCTOR SIZES.
- DIMENSIONS IN BRACKETS [] ARE IN MILLIMETERS ROUNDED OFF TO THE NEAREST MILLIMETER, UNLESS OTHERWISE NOTED, AND ARE FOR REFERENCE ONLY.
- PARTS WITH CATALOG NUMBERS ENDING IN "M" REQUIRE A METRIC, HEXHEAD, SOCKET SET SCREW.

TO ORDER BURNDY PRODUCTS CALL 1-800-346-4175
MANCHESTER, NH 03109, USA
FOR PRODUCT INFO = <http://www.fciconnect.com>

UNIVERSAL TERMINAL

CAT NO: KA-U, KA-UM, KKA-U (TABLE)	SCALE: NTS
DRAWN: P. LAPONIUS	4/10/97
CHECKED: J. MICHAUD	4/21/97
DSGN APPVL: K. MELLO	4/30/97
MFG APPVL: .	
Q.A. APPVL: D. VARIO	5/02/97
MKTG APPVL: P. WERTHMAN	5/01/97
CAD FILE: SE210997-01_2	
MDL REF: N/A	
DRAWING NO. SE210997	REV 2
SHEET 1 OF 5	

FCI
FRAMATOME GROUP
BURNDY • RACINE • MALICO • SAAB Products