



SGM44601

4Ω, High Speed, Low Voltage Dual, DPDT Analog Switch

GENERAL DESCRIPTION

The SGM44601 is a high-speed, low-voltage, advanced dual-independent double-pole/double-throw (DPDT) CMOS analog switch that is designed to operate from a single +1.8V to +5.5V power supply. It features high-bandwidth (300MHz) and low on-resistance (4Ω TYP), targeted applications for audio switching.

The SGM44601 is configured as a dual double-pole /double-throw (DPDT) device with two logic control inputs that control two multiplexer/demultiplexers each. The configuration can also be used as a dual differential 2-to-1 multiplexer/ demultiplexer.

SGM44601 is available in Green TQFN-2.6×1.8-16L package.

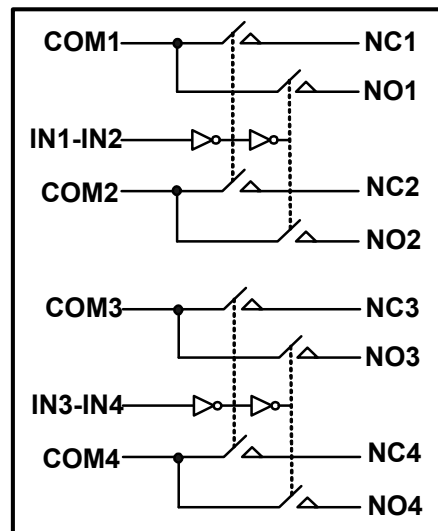
APPLICATIONS

- Communication Systems
- Cell Phones
- Portable Instrumentation
- Audio Signal Routing
- Audio and Video Switching
- PCMCIA Cards
- Computer Peripherals
- Modems
- PDA's

FEATURES

- Low Voltage Operation: 1.8V to 5.5V
- Low On-Resistance: 4Ω (TYP)
- Low On-Resistance Flatness
- -3dB Bandwidth: 300MHz
- Rail-to-Rail Input and Output Operation
- High Off-Isolation: -75dB at 1MHz
- Low Crosstalk: -100dB at 1MHz
- Typical Power Consumption (< 0.01μW)
- TTL/CMOS Compatible
- Available in Green TQFN-2.6×1.8-16L Package
- Extended Industrial Temperature Range:
-40°C to +85°C

BLOCK DIAGRAM



PACKAGE/ORDERING INFORMATION

MODEL	PIN-PACKAGE	SPECIFIED TEMPERATURE RANGE	ORDERING NUMBER	PACKAGE MARKING	PACKAGE OPTION
SGM44601	TQFN-2.6×1.8-16L	-40°C to +85°C	SGM44601YTQA16/TR	44601	Tape and Reel, 3000

ABSOLUTE MAXIMUM RATINGS

V₊ to GND.....0V to 6V
 Analog, Digital voltage range..... -0.3V to (V₊) +0.3V
 Continuous Current NO, NC, or COM±100mA
 Operating Temperature Range.....-40°C to +85°C
 Junction Temperature.....150°C
 Storage Temperature Range..... -65°C to +150°C
 Lead Temperature (soldering, 10s).....260°C

NOTE:

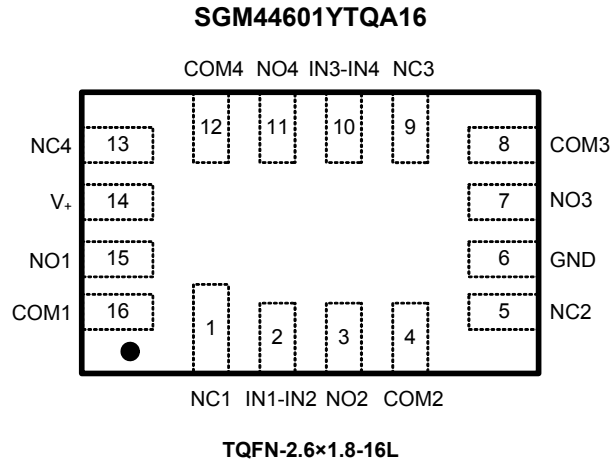
Stresses beyond those listed under “Absolute Maximum Ratings” may cause permanent damage to the device. These are stress ratings only, and functional operation of the device at these or any other conditions beyond those indicated in the operational sections of the specifications is not implied. Exposure to absolute maximum rating conditions for extended periods may affect device reliability.

CAUTION

This integrated circuit can be damaged by ESD if you don't pay attention to ESD protection. SGMICRO recommends that all integrated circuits be handled with appropriate precautions. Failure to observe proper handling and installation procedures can cause damage. ESD damage can range from subtle performance degradation to complete device failure. Precision integrated circuits may be more susceptible to damage because very small parametric changes could cause the device not to meet its published specifications.

SGMICRO reserves the right to make any change in circuit design, specification or other related things if necessary without notice at any time. Please contact SGMICRO sales office to get the latest datasheet.

PIN CONFIGURATION (TOP VIEW)



PIN DESCRIPTION

NAME	TQFN PIN	FUNCTION
V ₊	14	Power Supply.
GND	6	Ground.
IN _x	2, 10	Digital Control Pin to Connect the COM Terminal to the NO or NC Terminals.
COM _x	16, 4, 8, 12	Common Terminal.
NO _x	15, 3, 7, 11	Normally-Open Terminal.
NC _x	1, 5, 9, 13	Normally-Closed Terminal.

NOTE: NO_x, NC_x and COM_x terminals may be an input or output.

FUNCTION TABLE

IN1-IN2	FUNCTION	
	NC1 and NC2	NO1 and NO2
0	ON	OFF
1	OFF	ON

IN3-IN4	FUNCTION	
	NC3 and NC4	NO3 and NO4
0	ON	OFF
1	OFF	ON

ELECTRICAL CHARACTERISTICS

(V_+ = +4.5V to +5.5V, GND = 0V, V_{IH} = +1.6V, V_{IL} = +0.5V, T_A = -40°C to +85°C. Typical values are at V_+ = +5.0V, T_A = +25°C, unless otherwise noted.)

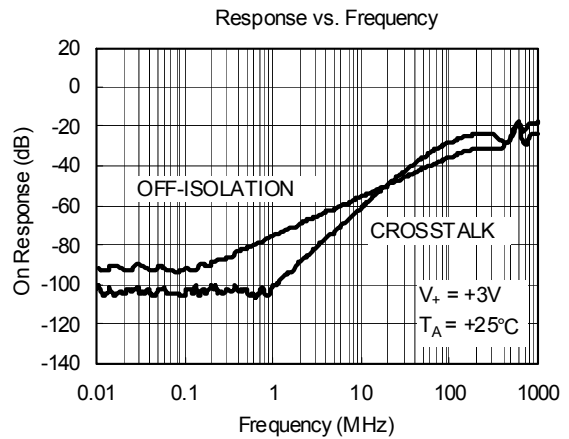
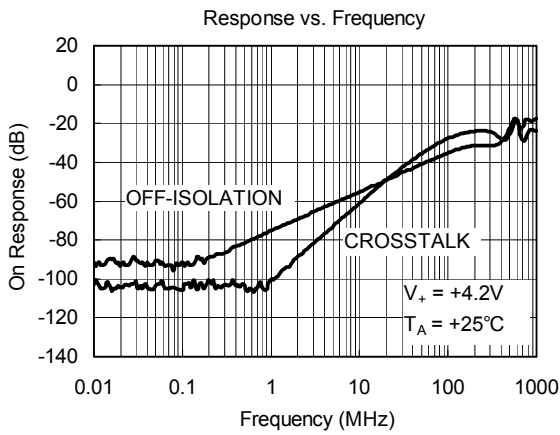
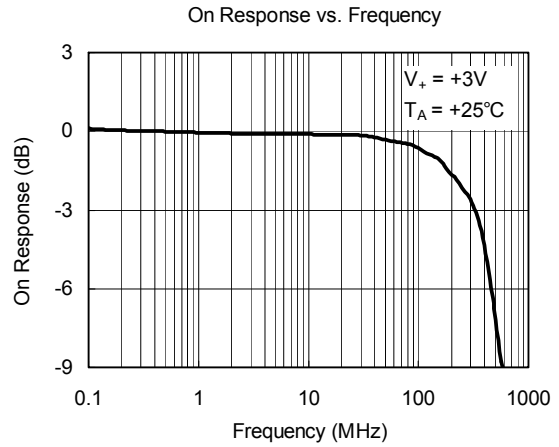
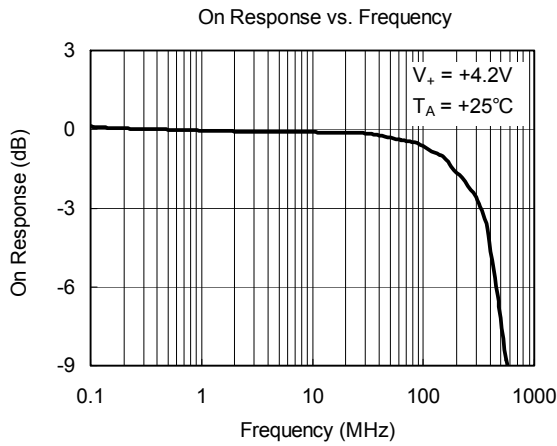
PARAMETER	SYMBOL	CONDITIONS	TEMP	MIN	TYP	MAX	UNITS
ANALOG SWITCH							
Analog Signal Range	V_{NO}, V_{NC}, V_{COM}		-40°C to +85°C	0		V_+	V
On-Resistance	R_{ON}	$V_+ = 4.5V, 0V \leq V_{NO} \text{ or } V_{NC} \leq V_+, I_{COM} = -100mA, \text{ Test Circuit 1}$	+25°C		4	6	Ω
			-40°C to +85°C			7	Ω
On-Resistance Match Between Channels	ΔR_{ON}	$V_+ = 4.5V, 0V \leq V_{NO} \text{ or } V_{NC} \leq V_+, I_{COM} = -100mA, \text{ Test Circuit 1}$	+25°C		0.4	2.5	Ω
			-40°C to +85°C			3	Ω
On-Resistance Flatness	$R_{FLAT(ON)}$	$V_+ = 4.5V, 0V \leq V_{NO} \text{ or } V_{NC} \leq V_+, I_{COM} = -100mA, \text{ Test Circuit 1}$	+25°C		2	3	Ω
			-40°C to +85°C			3.5	Ω
Source OFF Leakage Current	$I_{NC(OFF)}, I_{NO(OFF)}$	$V_+ = 5.5V, V_{NO} \text{ or } V_{NC} = 3.3V/0.3V, V_{COM} = 0.3V/3.3V$	-40°C to +85°C			1	μA
Channel ON Leakage Current	$I_{NC(ON)}, I_{NO(ON)}, I_{COM(ON)}$	$V_+ = 5.5V, V_{COM} = 0.3V/3.3V, V_{NO} \text{ or } V_{NC} = 0.3V/3.3V \text{ or floating}$	-40°C to +85°C			1	μA
DIGITAL INPUTS							
Input High Voltage	V_{INH}		-40°C to +85°C	1.6			V
Input Low Voltage	V_{INL}		-40°C to +85°C			0.5	V
Input Leakage Current	I_{IN}	$V_+ = 5.5V, V_{IN} = 0V \text{ or } 5.5V$	-40°C to +85°C			1	μA
DYNAMIC CHARACTERISTICS							
Turn-On Time	t_{ON}	$V_{NC} \text{ or } V_{NO} = 3.0V, R_L = 300\Omega, C_L = 35pF, \text{ Test Circuit2}$	+25°C		36		ns
Turn-Off Time	t_{OFF}		+25°C		30		ns
Break-Before-Make Time Delay	t_D	$V_{NC} \text{ or } V_{NO} = 3.0V, R_L = 300\Omega, C_L = 35pF, \text{ Test Circuit4}$	+25°C		16		ns
Charge Injection	Q	$V_G = GND, R_G = 0\Omega, C_L = 1.0nF, Q = C_L \times V_{OUT}, \text{ Test Circuit3}$	+25°C		3.5		pC
Off Isolation	O_{ISO}	Signal = 0dBm, $R_L = 50\Omega$, Test Circuit5	1MHz	+25°C		-75	dB
			10MHz	+25°C		-55	
Channel-to-Channel Crosstalk	X_{TALK}	Signal = 0dBm, $R_L = 50\Omega$, Test Circuit6	1MHz	+25°C		-100	dB
			10MHz	+25°C		-60	
-3dB Bandwidth	BW	Signal = 0dBm, $R_L = 50\Omega$, Test Circuit7	+25°C		300		MHz
Channel ON Capacitance	$C_{NC(ON)}, C_{NO(ON)}, C_{COM(ON)}$		+25°C		43.2		pF
POWER REQUIREMENTS							
Power Supply Range	V_+		-40°C to +85°C	1.8		5.5	V
Power Supply Current	I_+	$V_+ = 5.5V, V_{IN} = 0V \text{ or } V_+$	-40°C to +85°C			1	μA

ELECTRICAL CHARACTERISTICS

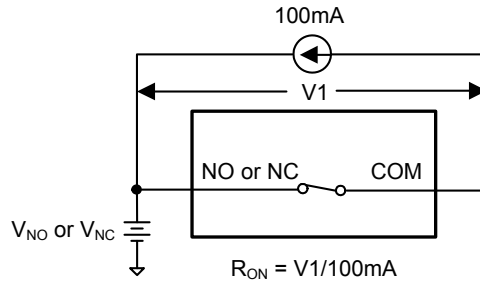
($V_+ = +2.7V$ to $+3.6V$, $V_{IH} = +1.6V$, $V_{IL} = +0.4V$, $T_A = -40^\circ C$ to $+85^\circ C$. Typical values are at $V_+ = +3.0V$, $T_A = +25^\circ C$, unless otherwise noted.)

PARAMETER	SYMBOL	CONDITIONS	TEMP	MIN	TYP	MAX	UNITS
ANALOG SWITCH							
Analog Signal Range	V_{NO}, V_{NC}, V_{COM}		$-40^\circ C$ to $+85^\circ C$	0		V_+	V
On-Resistance	R_{ON}	$V_+ = 2.7V, 0V \leq V_{NO}$ or $V_{NC} \leq V_+$, $I_{COM} = -100mA$, Test Circuit 1	$+25^\circ C$		10	15	Ω
			$-40^\circ C$ to $+85^\circ C$			18	Ω
On-Resistance Match Between Channels	ΔR_{ON}	$V_+ = 2.7V, 0V \leq V_{NO}$ or $V_{NC} \leq V_+$, $I_{COM} = -100mA$, Test Circuit 1	$+25^\circ C$		1	3	Ω
			$-40^\circ C$ to $+85^\circ C$			4	Ω
On-Resistance Flatness	$R_{FLAT(ON)}$	$V_+ = 2.7V, 0V \leq V_{NO}$ or $V_{NC} \leq V_+$, $I_{COM} = -100mA$, Test Circuit 1	$+25^\circ C$		6	9	Ω
			$-40^\circ C$ to $+85^\circ C$			12	Ω
Source OFF Leakage Current	$I_{NC(OFF)}, I_{NO(OFF)}$	$V_+ = 3.6V, V_{NO}$ or $V_{NC} = 3.3V/0.3V$, $V_{COM} = 0.3V/3.3V$	$-40^\circ C$ to $+85^\circ C$			1	μA
Channel ON Leakage Current	$I_{NC(ON)}, I_{NO(ON)},$ $I_{COM(ON)}$	$V_+ = 3.6V, V_{COM} = 0.3V/3.3V$, V_{NO} or $V_{NC} = 0.3V/3.3V$ or floating	$-40^\circ C$ to $+85^\circ C$			1	μA
DIGITAL INPUTS							
Input High Voltage	V_{INH}		$-40^\circ C$ to $+85^\circ C$	1.5			V
Input Low Voltage	V_{INL}		$-40^\circ C$ to $+85^\circ C$			0.4	V
Input Leakage Current	I_{IN}	$V_+ = 2.7V, V_{IN} = 0V$ or $2.7V$	$-40^\circ C$ to $+85^\circ C$			1	μA
DYNAMIC CHARACTERISTICS							
Turn-On Time	t_{ON}	V_{NC} or $V_{NO} = 1.5V, R_L = 300\Omega$,	$+25^\circ C$		45		ns
Turn-Off Time	t_{OFF}	$C_L = 35pF$, Test Circuit2	$+25^\circ C$		44		ns
Break-Before-Make Time Delay	t_D	V_{NC} or $V_{NO} = 1.5V, R_L = 300\Omega$, $C_L = 35pF$, Test Circuit4	$+25^\circ C$		23		ns
Charge Injection	Q	$V_G = GND, R_G = 0\Omega, C_L = 1.0nF$, $Q = C_L \times V_{OUT}$, Test Circuit3	$+25^\circ C$		2.6		pC
Off Isolation	O_{ISO}	Signal = 0dBm, $R_L = 50\Omega$, Test Circuit5	1MHz	$+25^\circ C$		-75	dB
			10MHz	$+25^\circ C$		-55	dB
Channel-to-Channel Crosstalk	X_{TALK}	Signal = 0dBm, $R_L = 50\Omega$, Test Circuit6	1MHz	$+25^\circ C$		-100	dB
			10MHz	$+25^\circ C$		-60	dB
-3dB Bandwidth	BW	Signal = 0dBm, $R_L = 50\Omega$, Test Circuit7	$+25^\circ C$		300		MHz
Channel ON Capacitance	$C_{NC(ON)}, C_{NO(ON)},$ $C_{COM(ON)}$		$+25^\circ C$		43.2		pF

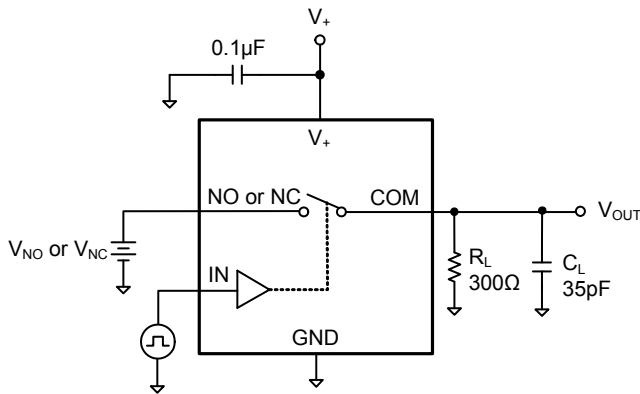
TYPICAL PERFORMANCE CHARACTERISTICS



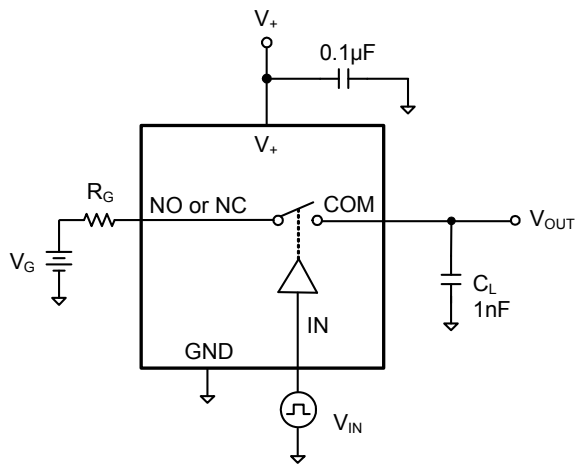
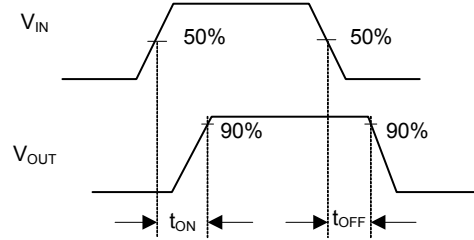
TEST CIRCUITS



Test Circuit 1. On Resistance

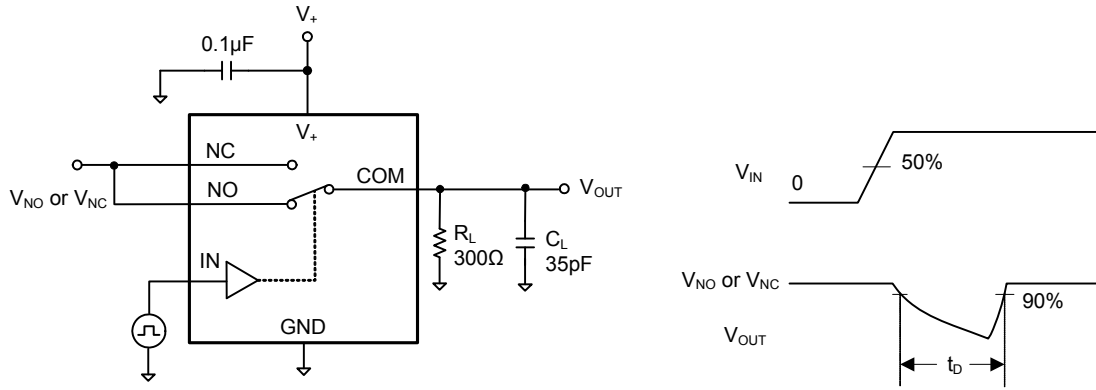


Test Circuit 2. Switching Times (t_{ON} , t_{OFF})

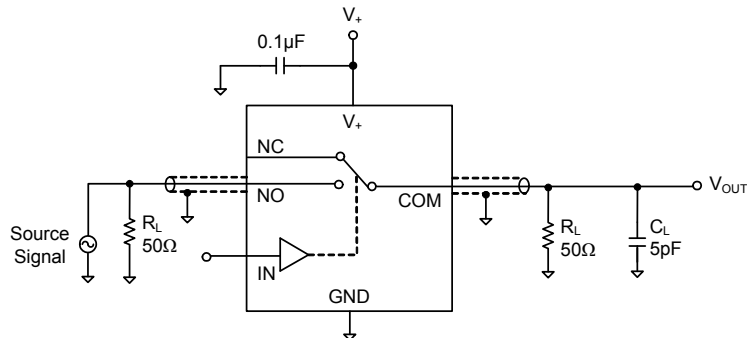


Test Circuit 3. Charge Injection

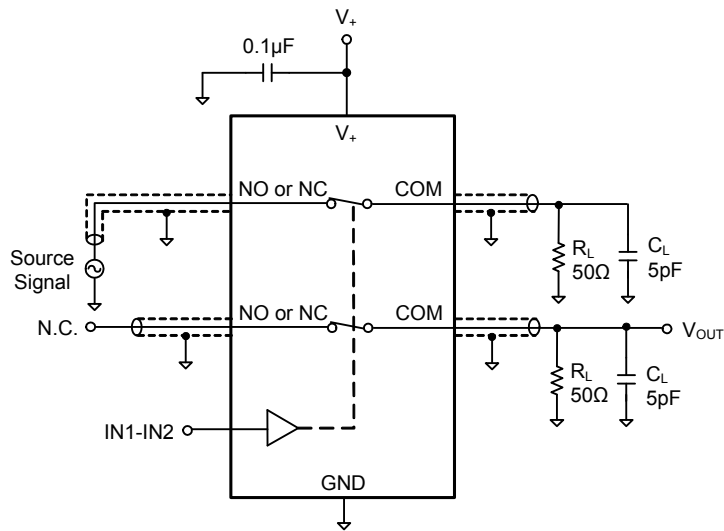
TEST CIRCUITS (Cont.)



Test Circuit 4. Break-Before-Make Time Delay (t_d)



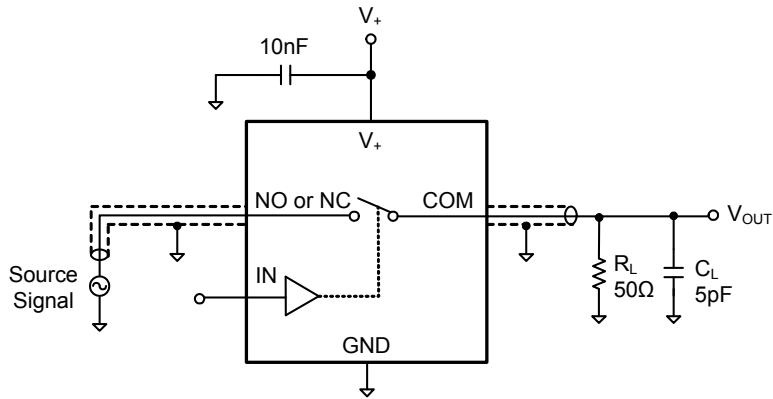
Test Circuit 5. Off Isolation



$$\text{Channel To Channel Crosstalk} = -20 \times \log \frac{V_{NO \text{ or } V_{NC}}}{V_{OUT}}$$

Test Circuit 6. Channel-to-Channel Crosstalk

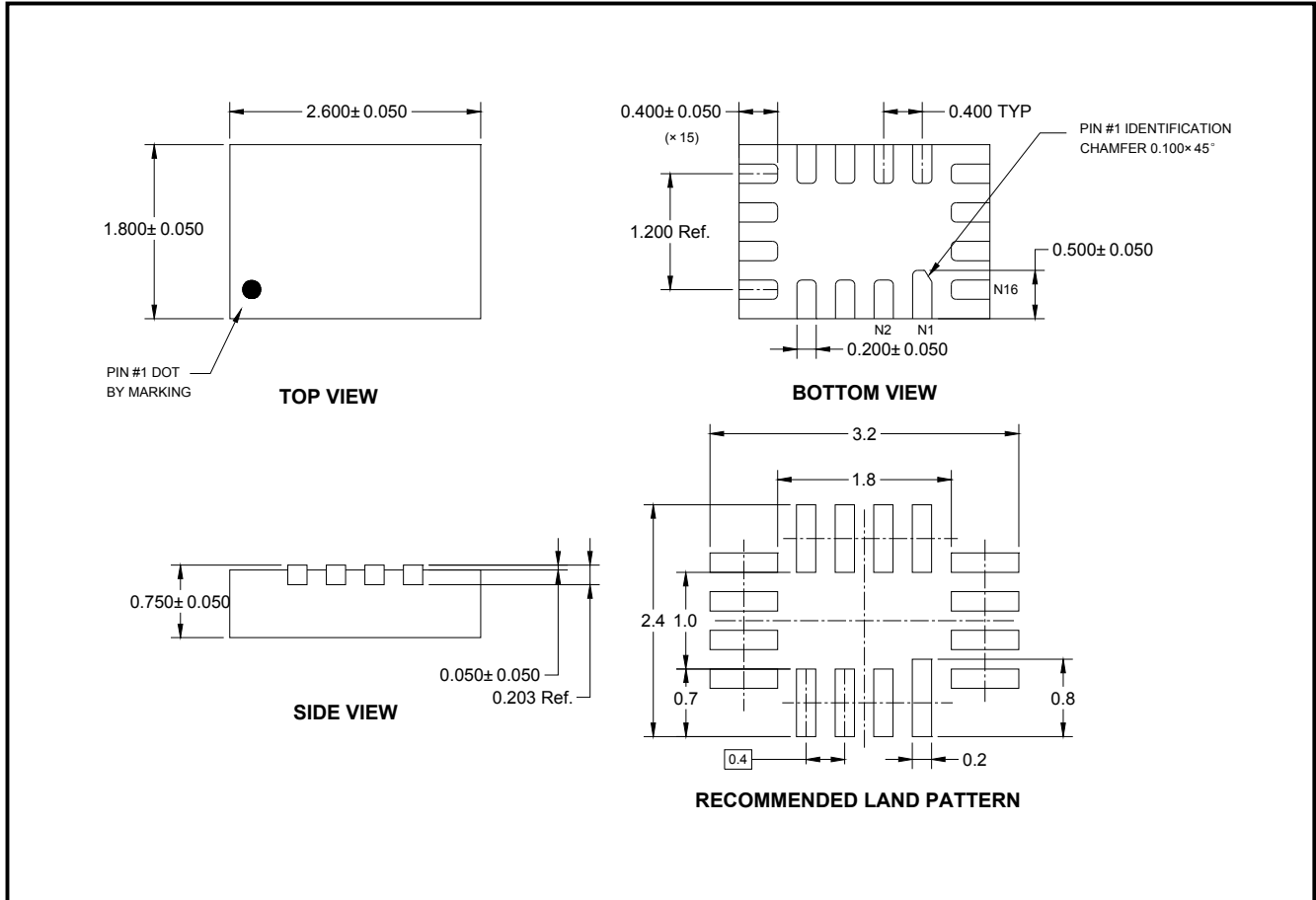
TEST CIRCUITS (Cont.)



Test Circuit 7. -3dB Bandwidth

PACKAGE OUTLINE DIMENSIONS

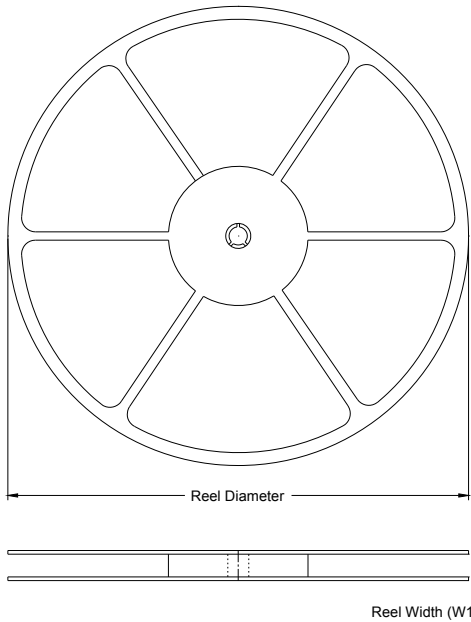
TQFN-2.6×1.8-16L



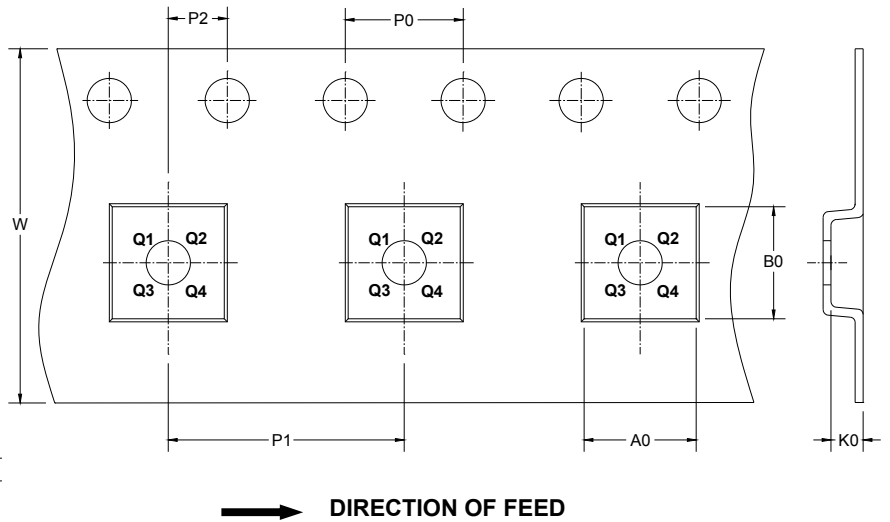
NOTE: All linear dimensions are in millimeters.

TAPE AND REEL INFORMATION

REEL DIMENSIONS



TAPE DIMENSIONS



NOTE: The picture is only for reference. Please make the object as the standard.

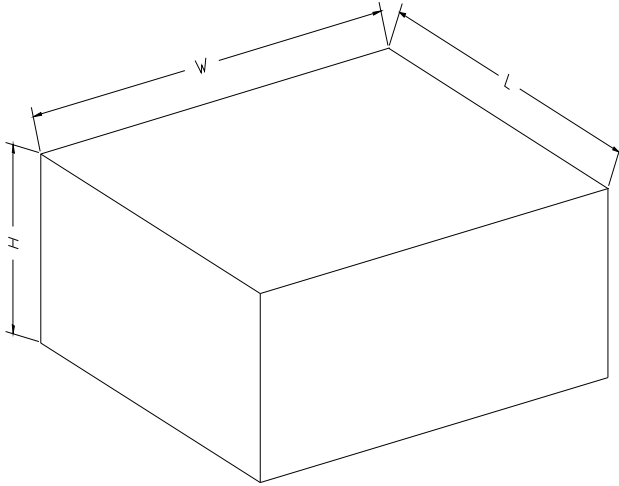
KEY PARAMETER LIST OF TAPE AND REEL

Package Type	Reel Diameter	Reel Width W1 (mm)	A0 (mm)	B0 (mm)	K0 (mm)	P0 (mm)	P1 (mm)	P2 (mm)	W (mm)	Pin1 Quadrant
TQFN-2.6×1.8-16L	7"	13.0	2.1	2.9	1.0	4.0	4.0	2.0	12.0	Q1

SGM44601

4Ω, High Speed, Low Voltage Dual, DPDT Analog Switch

CARTON BOX DIMENSIONS



NOTE: The picture is only for reference. Please make the object as the standard.

KEY PARAMETER LIST OF CARTON BOX

Reel Type	Length (mm)	Width (mm)	Height (mm)	Pizza/Carton
7" (Option)	368	227	224	8
7"	442	410	224	18