



VC850M-TO46GL

- Infrared VCSEL
- 850 nm, 2 mW
- Multi Mode
- TO-46 Can
- Glass lens cap, Viewing angle 5°



Description

VC850M-H-TO46GL is a multi mode infrared VCSEL emitting at typically 850 nm with rated output power of 10 mW cw, mounted into a standard TO-46 package and sealed with a glass lens cap. The VCSEL works under low forward current and voltage.

Maximum Ratings

Parameter	Symbol	Values		Unit
		Min.	Max.	
Forward Current	I_F		12	mA
Reverse Voltage (@ 10 μ A)	V_F		5	V
Operating Temperature	T_{CASE}	0	+ 85	°C
Storage Temperature	T_{STG}	- 40	+ 100	°C
Lead Solder Temperature *	T_{SLD}		+ 260	°C

* must be completed within 10 seconds

Electro-Optical Characteristics (T_{CASE}=25°C)

Parameter	Symbol	Min.	Values		Unit
			Typ.	Max.	
Emission Wavelength	λ_{Peak}	840	850	860	nm
Spectral Width	$\Delta\lambda$			0.85	nm
Optical Output Power	P_O		2		mW
Beam Divergence	θ		5		°
Threshold Current	I_{TH}		1.5	3	mA
Operating Current	I_F		6		mA
Operating Voltage	V_F		1.8	2.2	V
Breakdown Voltage	V_B		-10		V
Slope Efficiency	η	0.3	0.4	0.7	mW/mA
Dynamic Resistance	R_D	20	35	55	Ω

Thermal Characteristics

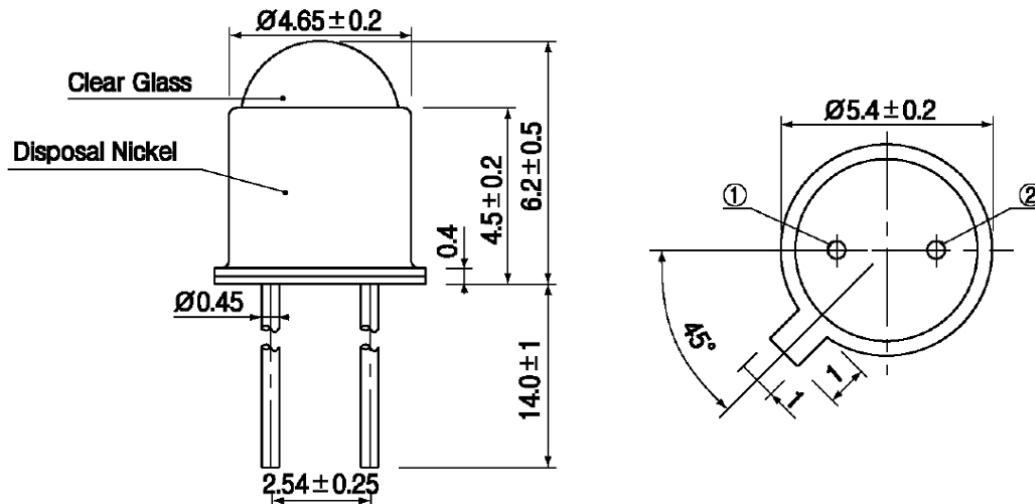
Parameter	Symbol	Min.	Values		Test Conditions	Unit
			Typ.	Max.		
I _{TH} Temperature Variation	ΔI_{TH}		1		T _C =0 to 85°C	mA
η Temperature Variation	$\Delta\eta / \Delta T$		-0.5		T _C =0 to 85°C,6mA	%/°C
λ Temperature Variation	$\Delta\lambda / \Delta T$		0.06		T _C =0 to 85°C,6mA	nm/°C



Outline Dimensions

TO46GL

TO-46 with glass lens



All Dimensions in mm

Electrical Connection

Lead	Description
Pin 1	LD Anode
Pin 2	LD Cathode



Precautions

Static Electricity:

VCSELs are **sensitive to electrostatic discharge (ESD)**. Precautions against ESD must be taken when handling or operating these VCSELs. Surge voltage or electrostatic discharge can result in complete failure of the device.



Safety Advice:

This VCSEL emits concentrated infrared light which can be **hazardous to the human eye and skin**. This diode is classified as CLASS 3B laser product according to **IEC 60825-1** and **21 CFR Part 1040.10** Safety Standards.

Operation:

Do only operate VCSELs with a current source.

Running these LEDs from a voltage source will result in complete failure of the device.

Current of a LED is an exponential function of the voltage across it. Usage of current regulated drive circuits is mandatory.