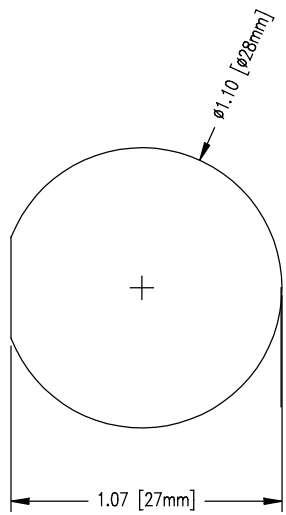
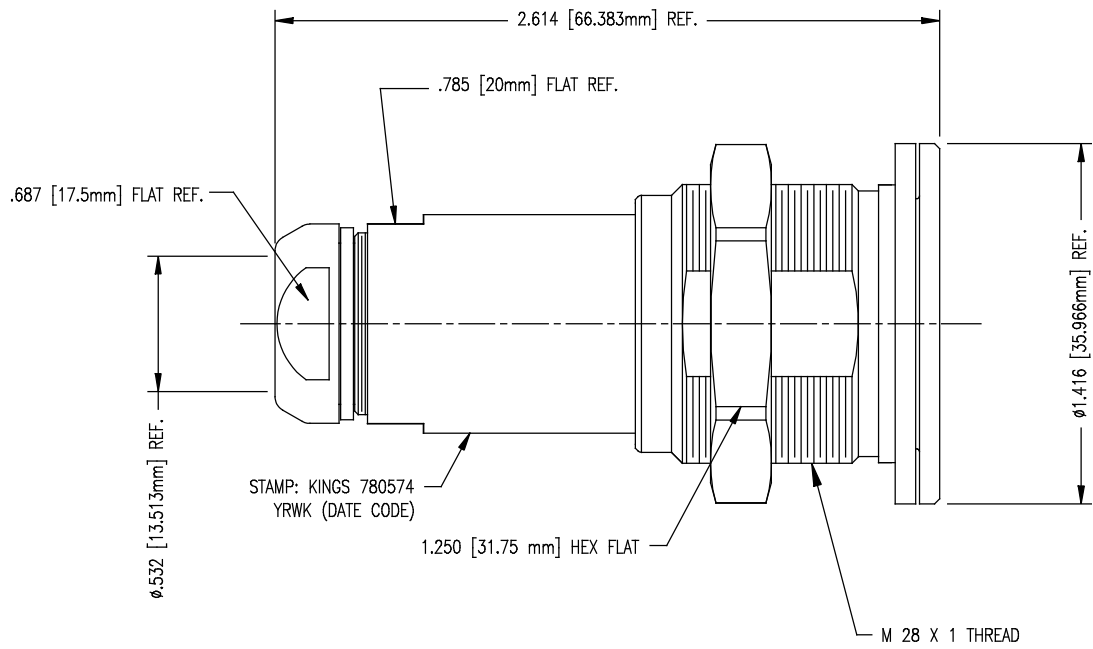


DASH NO.	M CODE	MADE FROM
----------	--------	-----------

GSD

REVISIONS	
ISSUE	CHANGES
0	ER 39851 HVN 03/21/07

780574



MOUNTING HOLE

NOTES:

- FOR USE WITH 74 CABLE GROUP (BELDEN 9232).
- INTERFACE PER KINGS STANDARD ES-52, FIGURE 1.
- FOR CABLING INSTRUCTIONS SEE 3-651 (CONVENTIONAL METHOD) OR 3-711 (PRE-PREPARED DIMENSIONS).
- USE CRIMPING TOOL KTH-8000 AND DIE KTH-8002.
- MATERIALS:
 INSULATORS: TEFLON, ASTM-D4894
 GASKETS: SILICONE RUBBER, A-A-59588
 SPACER AND CENTER CONTACT TIP: DELRIN
 K-GRIP SLEEVES: COM BRONZE, ASTM-B140
 FINGERS BODY & ENTRY BODY: BER. COPPER, ASTM-B196
 CENTER CONTACT: BER. COPPER, ASTM-B196
 ALL OTHER METAL PARTS: BRASS, ASTM-B16
- FINISHES:
 CENTER & INTERMEDIATE CONTACTS: GOLD, ASTM-B488
 ALL OTHER METAL PARTS: KINGS TARNISH RESISTANT NICKEL FINISH (TR-5)
- ELECTRICAL CHARACTERISTICS:
 NOMINAL IMPEDANCE: 75 OHMS
 FREQUENCY RANGE: DC-3.0 GHZ
 VOLTAGE BREAKDOWN: CENTER CONDUCTOR/INNER GROUND: 1500 VRMS
 INNER GROUND/OUTER GROUND: 500 VRMS

780574 SD

SCALE 2 : 1

APPROX SURFACE AREA

USED ON

REF:

ITL, PLUG, BKHD

DRAWN HVN DATE 03/21/07

DESIGN HVN DATE 03/20/06

APPR. DATE

KINGS
 ELECTRONICS CO., INC.
 ROCK HILL, SOUTH CAROLINA 29730

GSD

780574