

RECOMMENDED PANEL MOUNTING

| PANEL THICKNESS | X |
|-----------------|-----------|
| 0.75-1.25 | 19.2-19.3 |
| 1.25-2.00 | 19.3-19.4 |
| 2.00-3.00 | 19.5-19.6 |

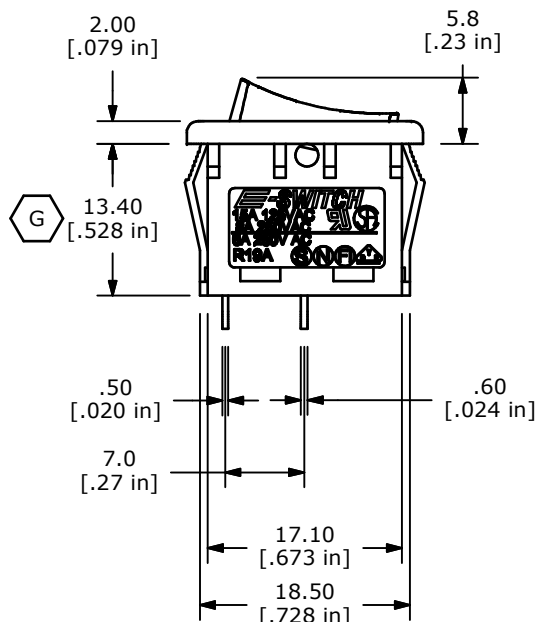
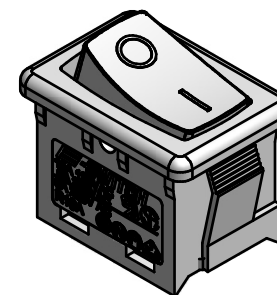
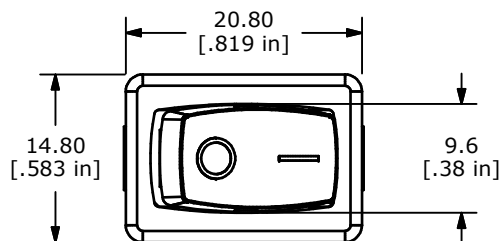
| SWITCH FUNCTION | | |
|-----------------|--------|--------|
| POS. 1 | POS. 2 | POS. 3 |
| ON | NONE | OFF |
| 1-1a | N/A | OPEN |



CIRCUIT: SPST

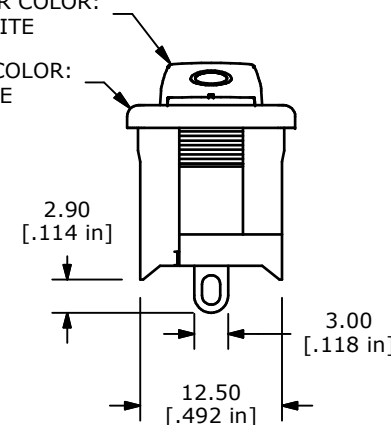
NOTES:

1. ALL DIMENSIONS IN MM [INCH]
2. GENERAL TOLERANCE: X.X=±0.4
X.XX=±0.25
3. TERM. NOS. FOR REF. ONLY
4. RATING: 15A@125VAC
8A@250VAC
- ▲ 5. LAMP VOLTAGE: NO LAMP
6. MATERIAL:
CONTACT SURFACE: GOLD OVER SILVER PLATE
7. ELECTRICAL LIFE: 10,000 CYCLES
8. CONTACT RESISTANCE: <20 MILLI-OHMS INITIAL
9. DIELECTRIC STRENGTH: >1,500V AC 1 MIN
10. ▲ DENOTES CRITICAL PARAMETER.
- ▲ 11. CONTACTS: 2.5 MICRO INCHES MINIMUM GOLD PLATING (PN: M900000)
12. 2002/95/EC (ROHS) COMPLIANT.



ACTUATOR COLOR:
▲ WHITE

HOUSING COLOR:
▲ WHITE



| REV | PCR NO | DESCRIPTION | DATE | BY |
|-----|--------|-----------------------------------|----------|-----|
| G | 21410 | 13.40 WAS 14.00 | 3/19/14 | EBP |
| F | 19359 | UPDATE HOUSING | 11/02/10 | BMA |
| E | 16153 | ADD NOTES 11 AND 12 | 6/20/06 | BK |
| D | 15705 | REMOVE TERMINAL INFO FROM NOTES | 1/25/06 | PH |
| C | 15609 | CHANGED TO STD. SILVER RATING | 12/15/05 | PH |
| B | 15482 | EDIT NOTE 6 FROM NICKEL TO SILVER | 11/1/05 | PH |
| A | 15439 | RELEASED FOR PRODUCTION | 10/24/05 | PH |



TITLE R1966AWHTWHTFS (w/Gold Contacts)

| | | | | |
|-------|-----------|----|---------|-----|
| SCALE | DATE | DR | DWG | REV |
| 1.5:1 | 9/19/2005 | BK | M300008 | G |