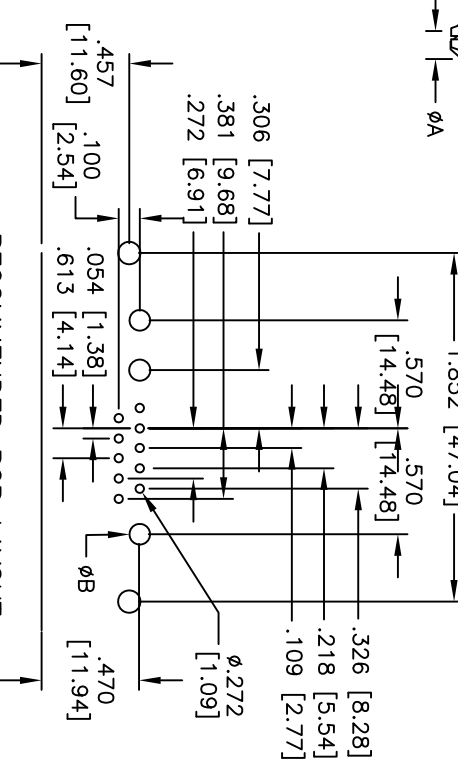
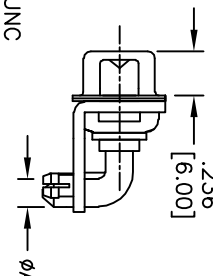
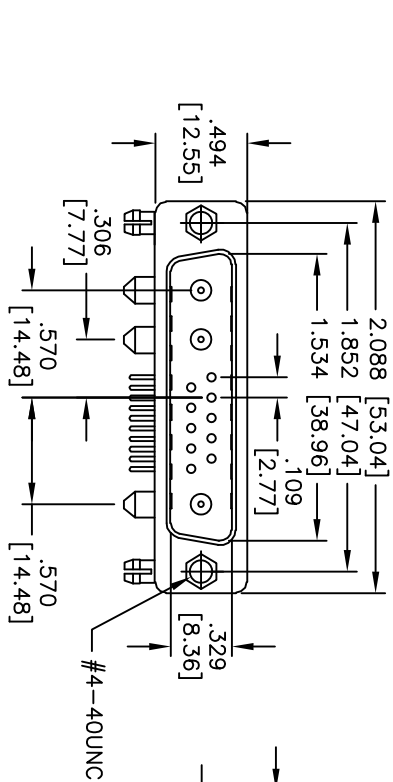


Rev	AWO #	Description	Date	Appr
-		RELEASED	1/12/11	

APPROVED: _____
 DATE: _____ TITLE: _____



RECOMMENDED PCB LAYOUT

SPECIFICATIONS:

Material:
 Insulator: PBT, glass reinforced, rated UL 94V-0
 Insulator color: Black
 Contacts: Brass
 Shell: Steel, Tin plated
 Hardware: Brass, Nickel plated
 Plating:
 Gold flash over Nickel underplate overall
Electrical:
 Current rating: 10, 20, 30 or 40 Amps max. (See Chart)
 Insulation resistance: 5,000 Mohms min
 Dielectric withstanding voltage: 1,000 VAC for 1 minute
 Temperature Rating:
 Operating temperature: -55°C to +125°C
Environmental:
 Lead free, RoHS compliant
 Recommended soldering temp: 235°C for 5 seconds

PART NO.	CURRENT RATING	DIMENSION	
		∅A	∅B
D13W3-PLP-3-3-BL-JS	10 AMPS	∅.067 [1.70]	∅.087 [2.20]
D13W3-PLP-4-3-BL-JS	20 AMPS	∅.110 [2.80]	∅.129 [3.28]
D13W3-PLP-5-3-BL-JS	30 AMPS	∅.126 [3.20]	∅.144 [3.65]
D13W3-PLP-6-3-BL-JS	40 AMPS	∅.148 [3.75]	∅.165 [4.20]

UNLESS OTHERWISE SPECIFIED
 ALL DIMENSIONS ARE INCHES [MM]
 TOLERANCES: EXCEPT AS NOTED
 INCHES HOLES

.X	±.10	∅.X	±.10
.XX	±.020	∅.XX	±.015
.XXX	±.015	∅.XXX	±.010
.XXX	±.015	∅.XXX	±.010

ADAM TECH

909 Rahway Avenue, Union, NJ 07083
 Phone: 908-687-5000 Fax: 908-687-5710

TITLE: D-SUB, MALE POWER, D13W3, RIGHT
 ANGLE, PCB 10A, 20A, 30A OR 40A

DRAWN	DY	1/12/11	SIZE	PART NO.	REV.
CHECKED			X	D13W3-PLP-X-3-BL-JS	
APPROVED			REF:	S0009T	SHEET 1 OF 1

