

10/100BASE-T SINGLE TRANSFORMER MODULES

- ◆ Compliant with IEEE802.3 and ANSI X3.263 standards
Including 350uH OCL with 8mA Bias.
- ◆ Single Channel Interface For 10/100 Mbps Ethernet Applications
- ◆ Comply With ROHS



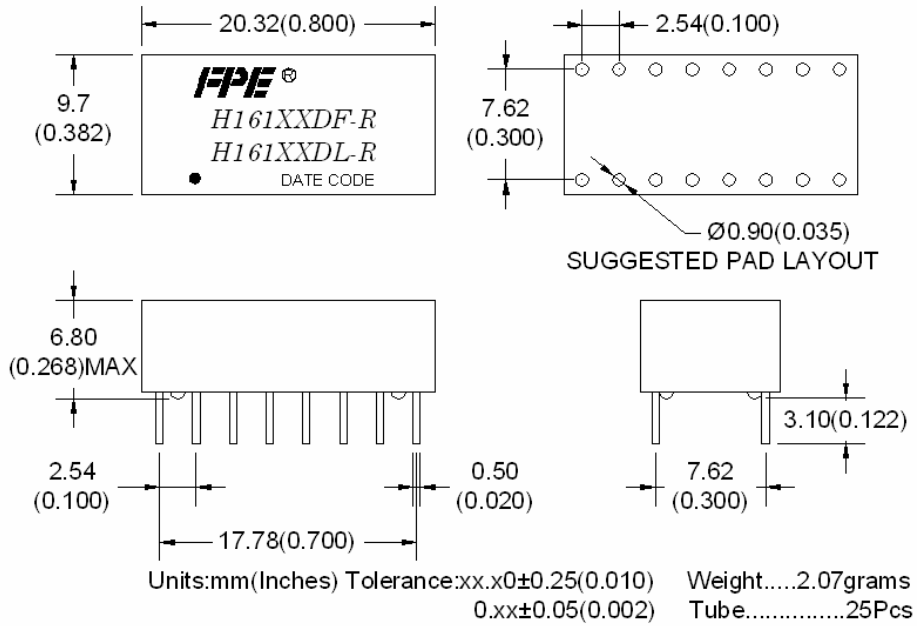
ELECTRICAL SPECIFICATIONS@25°C (Operating Temperature :0°C to 70°C)

| Part Number | Turns Ratio ±5% | Insertion Loss(dB max) | Return Loss (dB min) | | | CMRR (dB min) | | | Cross Talk (dB min) | | | Hipot (vrms) |
|-------------|--------------------|------------------------|----------------------|-----------|-----------|---------------|-----------|------------|---------------------|-----------|------------|--------------|
| | | 1-100MHz | 1-30 MHz | 30-60 MHz | 60-80 MHz | 1-30 MHz | 30-60 MHz | 60-100 MHz | 1-30 MHz | 30-60 MHz | 60-100 MHz | |
| H16102DF-R | 1:1 | -1.0 | -18 | -14 | -12 | -40 | -35 | -30 | -45 | -35 | -30 | 1500 |
| H16105DF-R | 1:1 | -1.0 | -18 | -14 | -12 | -40 | -35 | -30 | -45 | -35 | -30 | 1500 |
| H16107DF-R | 1:1 | -1.0 | -18 | -14 | -12 | -40 | -35 | -30 | -45 | -35 | -30 | 1500 |
| H16110DL | 1:1 | -1.0 | -18 | -14 | -12 | -40 | -35 | -30 | -45 | -35 | -30 | 1500 |
| H16114DL-R | 1:1 | -1.0 | -18 | -14 | -12 | -40 | -35 | -30 | -45 | -35 | -30 | 1500 |
| H16119DF-R | 1:1 | -1.0 | -18 | -14 | -12 | -40 | -35 | -30 | -45 | -35 | -30 | 1500 |
| H16120DF-R | 1:1 | -1.0 | -18 | -14 | -12 | -40 | -35 | -30 | -45 | -35 | -30 | 1500 |
| H16122DF-R | 1:1 | -1.0 | -18 | -14 | -12 | -40 | -35 | -30 | -45 | -35 | -30 | 1500 |
| H16125DL-R | 1:1 | -1.0 | -18 | -14 | -12 | -40 | -35 | -30 | -45 | -35 | -30 | 1500 |

10/100BASE-T SINGLE TRANSFORMER MODULES

MECHANICAL

H161XXDF-R & H161XXDL-R

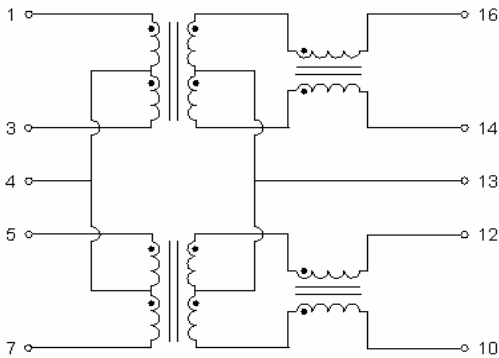


- | | | |
|--------------------------------------|---|----------------------------------|
| H16105DF-R:PIN 4&13&8&9 OMITTED | , | H16107DF-R:PIN 4&13&5&12 OMITTED |
| H16114DL-R:PIN 2&15&6&11&8&9 OMITTED | , | H16119DF-R:PIN 4&13&8&9 OMITTED |
| H16120DF-R:PIN 4&13&8&9 OMITTED | , | H16125DL-R:PIN 4&13&8&9 OMITTED |

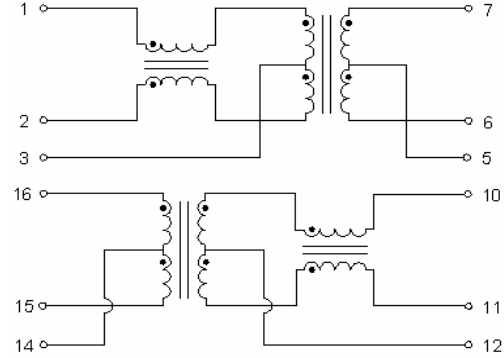
10/100BASE-T SINGLE TRANSFORMER MODULES

SCHEMATICS

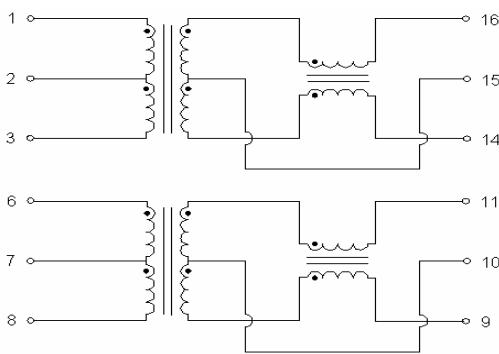
H16102DF-R



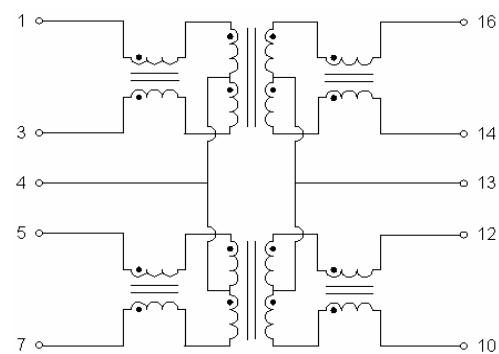
H16105DF-R



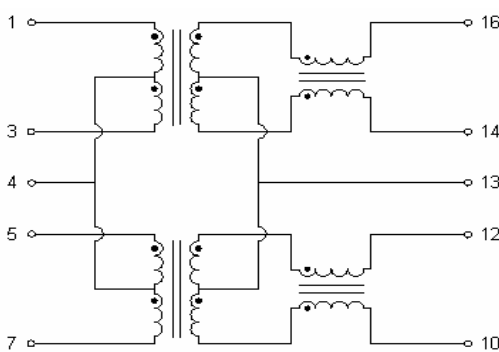
H16107DF-R



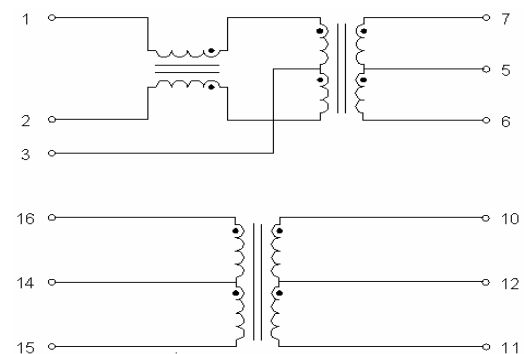
H16110DL



H16114DL-R



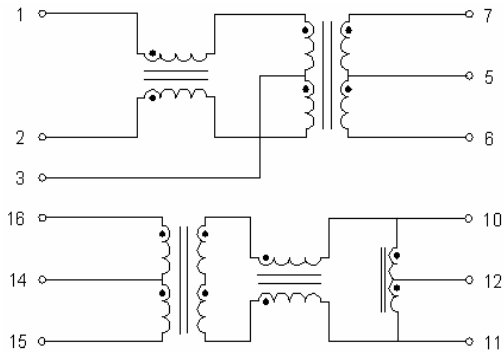
H16119DF-R



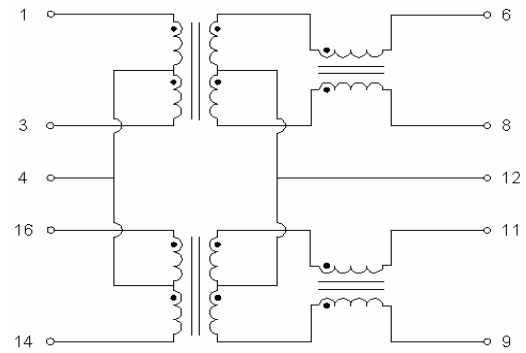
10/100BASE-T SINGLE TRANSFORMER MODULES

SCHEMATICS(Continued)

H16120DF-R



H16122DF-R



H16125DL-R

