



PARA LIGHT ELECTRONICS CO., LTD

Tel: 886-2-2225-3733

Fax: 886-2-2225-4800

Mail: para@para.com.tw

Website: http://www.para.com.tw

LED A22 E26 Light Bulb

Product Data Sheet

Model Number: E26F10WXX.G0-A22U

Rev.: A / 0

Producer: Zhuang Wei

Auditing: *Steven*

◆ Product Features:

1. Die-casting heat-sink with superior heat dissipating capability enables longer product life.
2. No glare design.
3. Emits virtually no UV/IR light in the beam.
4. Be designed to replace a standard incandescent A22 lamp.
5. Using constant current driving circuit with power factor correction.
6. Using micro-chip shunt circuit driving technique to maximum efficiency.
7. Socket type: E26
8. Solid state lighting. Energy saving lighting product.
9. 25,000 hours rated average life.
10. Low radiated heat.

11. **RoHS** **FC** **CE** **cUL** approved.
E346965

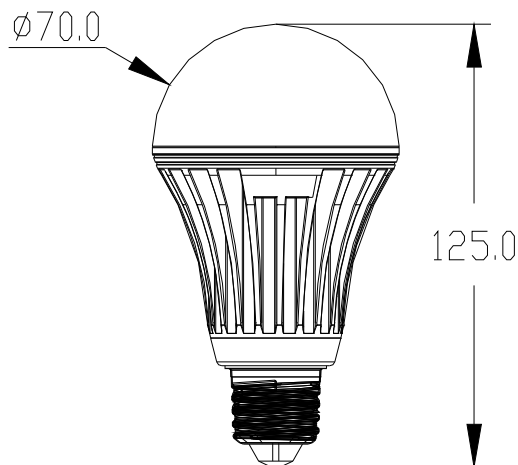
◆ Product Notice:

1. Not suitable for poorly ventilated light fixtures.
2. Not suitable for dimmer.
3. Don't touch the metal part at will, notice the high temperature while the power on.

◆ Photo:



◆ Dimension :



Unit: mm
Tolerance: $\pm 2\text{mm}$

◆ Electronic Characteristics :

| | |
|------------------------|-------------------|
| Model Number | E26F10WXX.G0-A22U |
| Input Voltage Range | 100V-240V |
| LED Tube Input Current | 250mA |
| LED Type | 3030 |
| LED Quantity | 12pcs |
| Power Consumption | 10W±10% |
| Power Factor | 0.5 |

◆ Mechanical Characteristic :

| | |
|-------------------------|----------------------|
| Model Number | E26F10WXX.G0-A22U |
| Heat-Sink Specification | Die-casting aluminum |
| Cover Material | Diffused Plastic |
| PCB Material | Aluminum Core PCB |
| Power supply | Internal |
| Socket Type | E26 |

◆ Optical Characteristic :

| | | | |
|------------------------|-------------------|----------|----------|
| Part Number | E26F10WXX.G0-A22U | | |
| Color Rendering Index | > 80 | | |
| Color Temperature(K) | CW | NW | WW |
| | 6000±500 | 4500±500 | 3000±300 |
| Luminous Flux (±10%lm) | 800 | 800 | 720 |

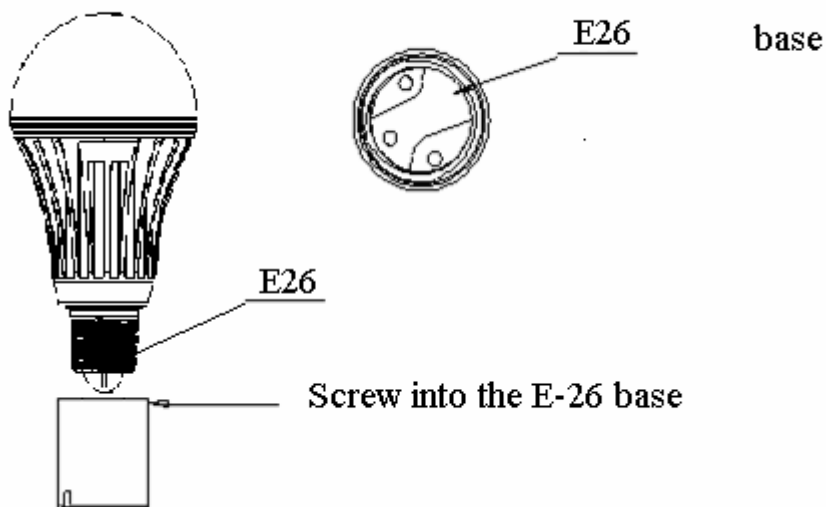
◆ Operation Conditions:

| | |
|-----------------------|----------|
| Operating Temp. Range | -20~40°C |
| Storage Temp .Range | -30~80°C |

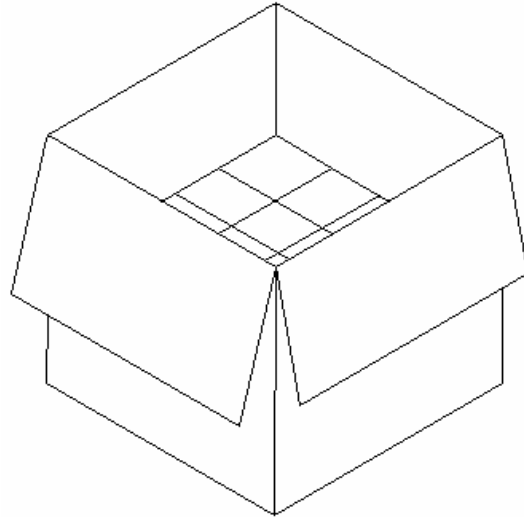
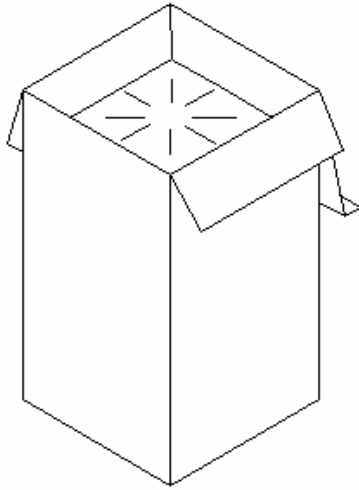
◆ Reliability Test:

| Item | |
|-------------------------------------|---|
| High temperature high humidity test | Temperature: 50°C, humidity: 85%, AC220V 96 H |
| Aging test | Temperature: 40°C, AC220V 72H |
| On Off test | Temperature: 25°C, AC220V, turn on/off 1500 times |
| Life test | Temperature: 25°C, AC220V, 1000Hr |

◆ Installation:



◆ Manner of packing:



inside carton size:80*80*140mm
outside carton size:410*325*290mm
1box:2level*20pcs=40pcs