
SD2932 RF MOSFET for 300 W FM amplifier

Introduction

This application note gives a description of a broadband power amplifier operating over the frequency range 88 - 108 MHz using the new STMicroelectronics RF MOSFET transistor SD2932.

Table 1. Typical achievable performances

Parameter	Performance
Device	1 X SD2932
Frequency	88-108 MHz
Vdd	50 V
Idq	200 mA
Pout	300 W
Gain	>19 dB
Input return loss	< -11 dB
Drain efficiency	>70%

1 Amplifier design

1.1 Input matching network

Typical input gate-to-gate impedance of SD2932 at 100 MHz is $Z_{in} = R_s + jX_s = 2 - 2.6 j$, and can also be expressed as the combination of parallel resistance and reactance using the following formulas:

Equation 1

$$R_p = R_s \cdot \left[1 + \left(\frac{X_s}{R_s} \right)^2 \right] = 5.38 \Omega$$

Equation 2

$$X_p = R_p / \left(\frac{X_s}{R_s} \right) = -4.14 j \Omega$$

Therefore, in order to achieve good input matching performances over the frequency range 88-108 MHz the unbalanced 50 Ω is to be transformed into an impedance with a value as close as possible to R_p of 5.38 Ω

From the circuit schematic given in *Figure 6*, we can see that the input matching network is based on a two section balun (1:1 balun in cascade with a 9:1 balun transformer) which transforms the unbalanced 50 Ω to a balanced 5.56 Ω (2 x 2.78 Ω / 9:1 ratio). The first section, a 5" long - 50 Ω coaxial cable and the second section, a two 3.9" long - 25 Ω flexible coaxial cables with ferrite core NEOSIDE, are connected as described: a 10 nH inductor (L1) is connected between the two gates to compensate SD2932 input parallel reactance X_p .

1.2 Input matching network tuning

Figure 1. Input Impedance of 1:1 balun in cascade with 4:1 balun

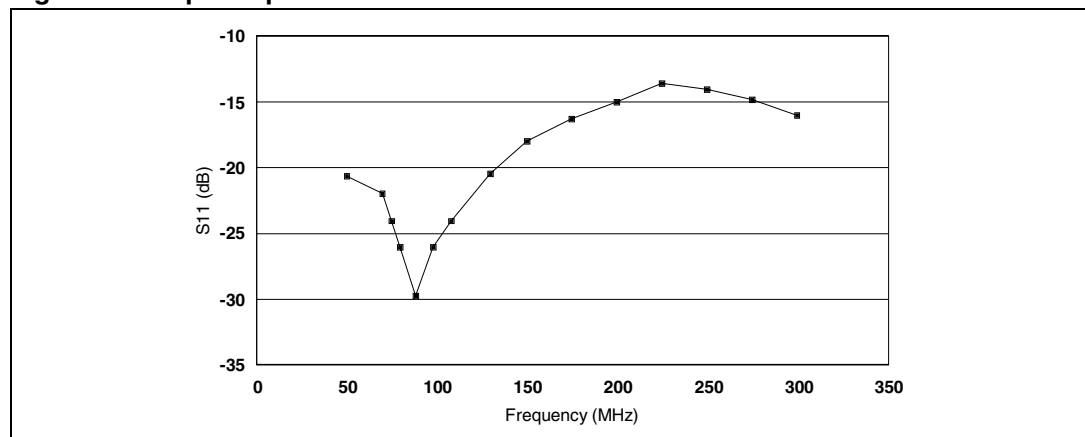
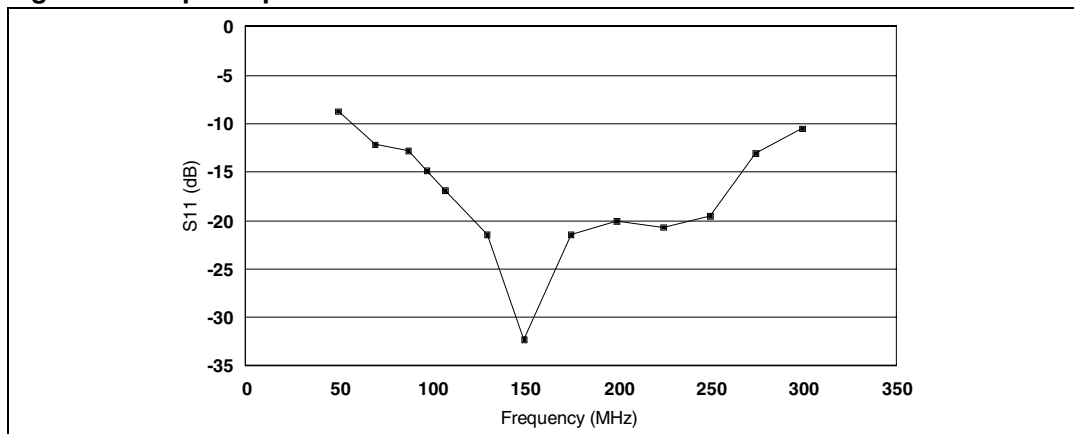


Figure 2. Input Impedance of 1:1 balun in cascade with 9:1 balun



SD2932 input matching network was tuned in order to achieve the best compromise in terms of power gain (Gp) and input return loss (Rtl) over the frequency range 88 - 108 MHz. Best results were achieved by adding a 10 pF chip capacitor (C1) between RFIN and the 1 nF blocking capacitor (C2).

1.3 Output matching network

The output impedance of each side is a combination of the output capacitance Coss (195 pF) and the optimum load resistance which can be determined as follows:

Equation 3

$$R_p = \frac{(0.85 \cdot V_{dd})^2}{2 \cdot P_{out}} = \frac{0.85 \cdot 2500}{2 \cdot 150W} = 6.02\Omega$$

The total optimum load, seen by SD2932 (drain to drain), is $2 \times 6.02 = 12.04 \Omega$. Therefore, a simple two section balun (1:1 balun in cascade with a 4:1 balun transformer) is used to transform the unbalanced 50Ω to a balanced 12.5Ω ($2 \times 6.25 \Omega$) which is very near to the total optimum load resistance.

The first section, a 5" long - 50Ω flexible coaxial cable, and the second section, two 5" long - 25Ω flexible coaxial cables, are connected as described in [Figure 6](#).

To compensate for the output capacitance Coss of SD2932 , a 40 nH inductor (L2) is connected between the two drains. This LC network (L2 & Coss) is a high pass filter with a resonance frequency calculated at 10 % below the minimum operating frequency:

Equation 4

$$C_{OSS} = \frac{C_{OSS(per\ side)}}{2} = \frac{180pF}{2} = 90pF$$

Equation 5

$$\text{Frequency of resonance} = 0.9 \cdot 88MHz = 80MHz$$

Equation 6

$$L2 \cdot C_{OSS} \cdot (2 \cdot \pi \cdot F)^2 = 1 \rightarrow L2 = 44nH$$

Figure 3. Power gain vs. frequency

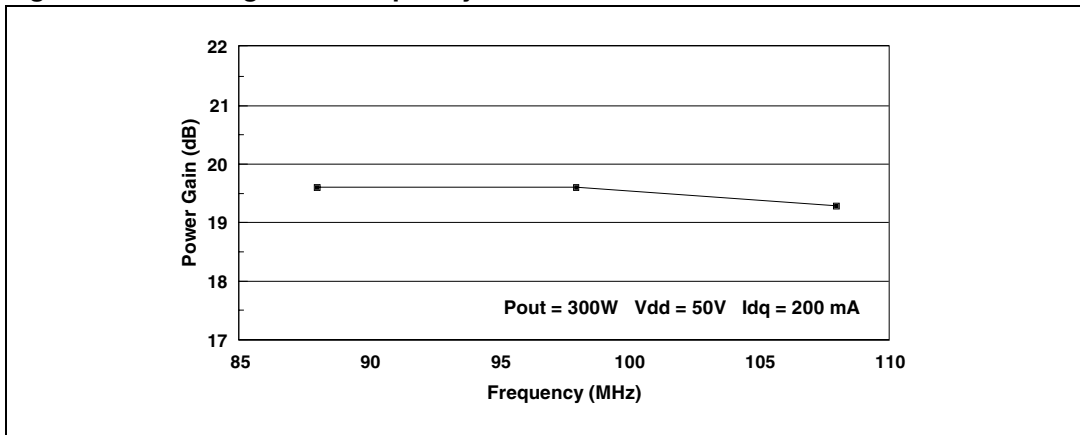


Figure 4. Drain efficiency vs. frequency

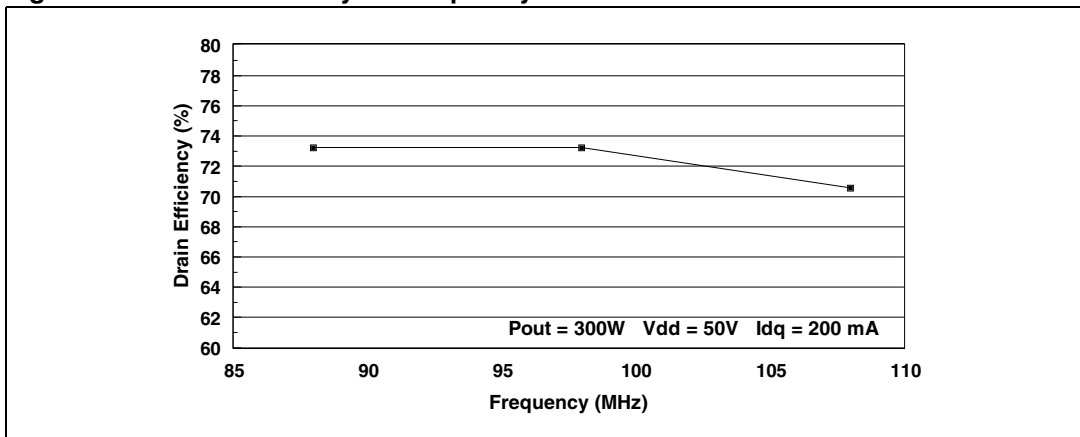
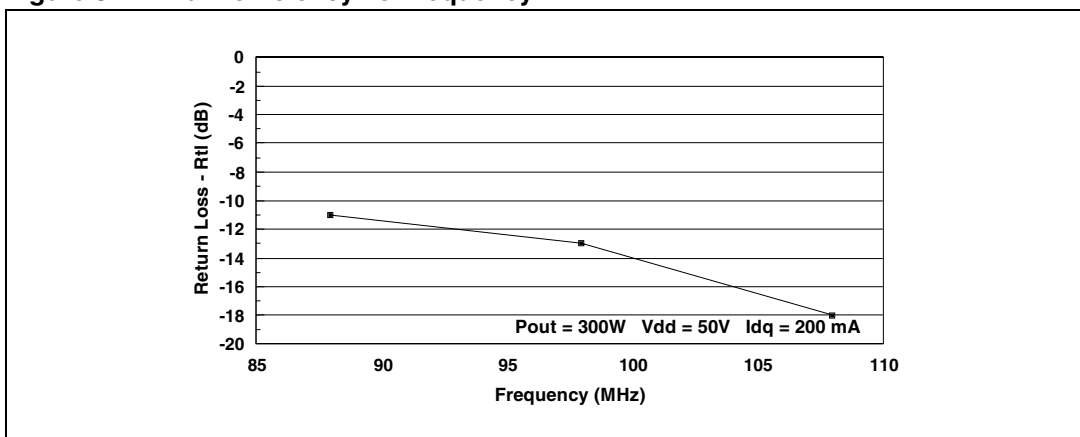


Figure 5. Drain efficiency vs. frequency



2 SD2932 typical performances and conclusion

Figure 3, Figure 4 and Figure 5 show power gain, efficiency and input return loss over the frequency range 88 - 108 MHz at a constant output power of 300 W and a drain supply voltage of 50 V and a quiescent current of 200 mA. Typical performances are as follows:

Table 2. Typical performances

Parameters	Min	Max
Gp	19.3 dB	19.6 dB
R _{TL}	-18 dB	-11 dB
Eff	71%	73%

Finally, in this report we have demonstrated ST's SD2932 MOSFET transistor excellent performance as a wideband 300 W - 50 V push-pull amplifier for FM applications.

Figure 6. 88-108 MHz circuit schematic

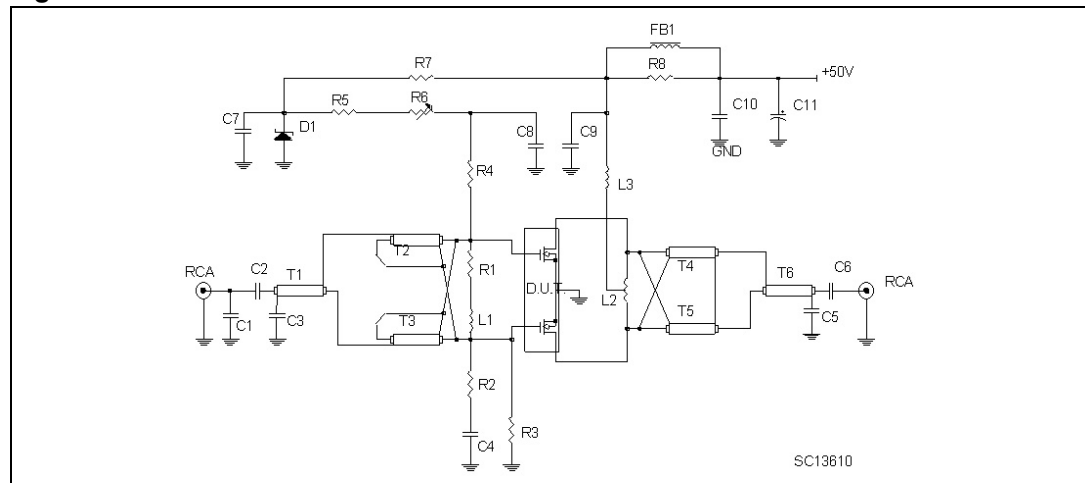


Table 3. 88-108 MHz circuit components list

Symbol	Description
PCB	1/32" Woven fiberglass 0.0030 Cu, 2 side, er
T1	50 Ω Flexible coax cable OD 0.006", 5" long
T2/ T3	9:1 Transformer, 25 Ω flexible coax cable OD 0.1" 3.9". ferrite core NEOSIDE
T4 / T5	4:1 Transformer, 25 Ω flexible coax cable OD 0.1" 5.0" long.
T6	50 Ω flexible coax cable OD 0.1" 5.0" long.
FB1	VK200
C1	10 pf Ceramic capacitor
C2/C3/C4/C7/C8	1 nF Chip capacitor
C5/C6	1 nF ATC chip capacitor

Table 3. 88-108 MHz circuit components list (continued)

Symbol	Description
C9	470 pF ATC chip capacitor
C10	100 nF chip capacitor
R1	56 Ω Resistor
R2/R4	10 Ω Chip resistor
R3	10 K Ω Resistor
R5	5.6 K Ω Resistor
R6	10K Ω 10 Turn trim resistor
R7	3.3 K Ω 1 W Resistor
R8	15 Ω 1 W Resistor
D1	6.8 V Zener diode
L1	10 nH inductor
L2	40 nH inductor
L3	70 nH inductor

3 Revision history

Table 4. Revision history

Date	Revision	Changes
21-Jun-2006	2	Minor text changes
30-Jul-2007	3	The document has been reformatted

Please Read Carefully:

Information in this document is provided solely in connection with ST products. STMicroelectronics NV and its subsidiaries ("ST") reserve the right to make changes, corrections, modifications or improvements, to this document, and the products and services described herein at any time, without notice.

All ST products are sold pursuant to ST's terms and conditions of sale.

Purchasers are solely responsible for the choice, selection and use of the ST products and services described herein, and ST assumes no liability whatsoever relating to the choice, selection or use of the ST products and services described herein.

No license, express or implied, by estoppel or otherwise, to any intellectual property rights is granted under this document. If any part of this document refers to any third party products or services it shall not be deemed a license grant by ST for the use of such third party products or services, or any intellectual property contained therein or considered as a warranty covering the use in any manner whatsoever of such third party products or services or any intellectual property contained therein.

UNLESS OTHERWISE SET FORTH IN ST'S TERMS AND CONDITIONS OF SALE ST DISCLAIMS ANY EXPRESS OR IMPLIED WARRANTY WITH RESPECT TO THE USE AND/OR SALE OF ST PRODUCTS INCLUDING WITHOUT LIMITATION IMPLIED WARRANTIES OF MERCHANTABILITY, FITNESS FOR A PARTICULAR PURPOSE (AND THEIR EQUIVALENTS UNDER THE LAWS OF ANY JURISDICTION), OR INFRINGEMENT OF ANY PATENT, COPYRIGHT OR OTHER INTELLECTUAL PROPERTY RIGHT.

UNLESS EXPRESSLY APPROVED IN WRITING BY AN AUTHORIZED ST REPRESENTATIVE, ST PRODUCTS ARE NOT RECOMMENDED, AUTHORIZED OR WARRANTED FOR USE IN MILITARY, AIR CRAFT, SPACE, LIFE SAVING, OR LIFE SUSTAINING APPLICATIONS, NOR IN PRODUCTS OR SYSTEMS WHERE FAILURE OR MALFUNCTION MAY RESULT IN PERSONAL INJURY, DEATH, OR SEVERE PROPERTY OR ENVIRONMENTAL DAMAGE. ST PRODUCTS WHICH ARE NOT SPECIFIED AS "AUTOMOTIVE GRADE" MAY ONLY BE USED IN AUTOMOTIVE APPLICATIONS AT USER'S OWN RISK.

Resale of ST products with provisions different from the statements and/or technical features set forth in this document shall immediately void any warranty granted by ST for the ST product or service described herein and shall not create or extend in any manner whatsoever, any liability of ST.

ST and the ST logo are trademarks or registered trademarks of ST in various countries.

Information in this document supersedes and replaces all information previously supplied.

The ST logo is a registered trademark of STMicroelectronics. All other names are the property of their respective owners.

© 2007 STMicroelectronics - All rights reserved

STMicroelectronics group of companies

Australia - Belgium - Brazil - Canada - China - Czech Republic - Finland - France - Germany - Hong Kong - India - Israel - Italy - Japan - Malaysia - Malta - Morocco - Singapore - Spain - Sweden - Switzerland - United Kingdom - United States of America

www.st.com