



REV A January 2011


Oscilent Controlled Document

Ordering Code / Part Number	Product Description
835-IF117.5M-14C	117.5MHz IF SAW Filter 14.63 MHz Bandwidth

Specification Contents

- o Mechanical Dimensions
- o Test Circuit
- o Maximum Ratings
- o Electrical Specification
- o Frequency Response
- o Smith Chart
- o Return Loss
- o VSWR

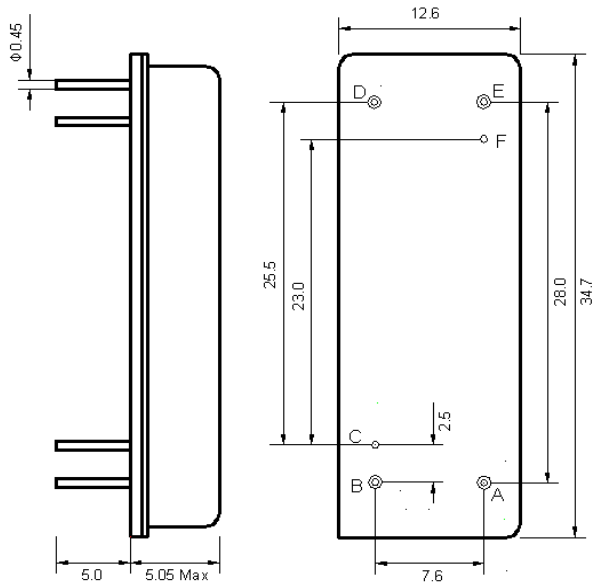
Notes

- o Electrostatic Sensitive Device (ESD) 
- o Avoid excessive ultrasonic exposure
- o Solderability compatible with JEDEC J-STD-020C Pb-free process, 260°C peak reflow temperature
- o This product complies with EU directive 2002/95/EC (RoHS compliance)



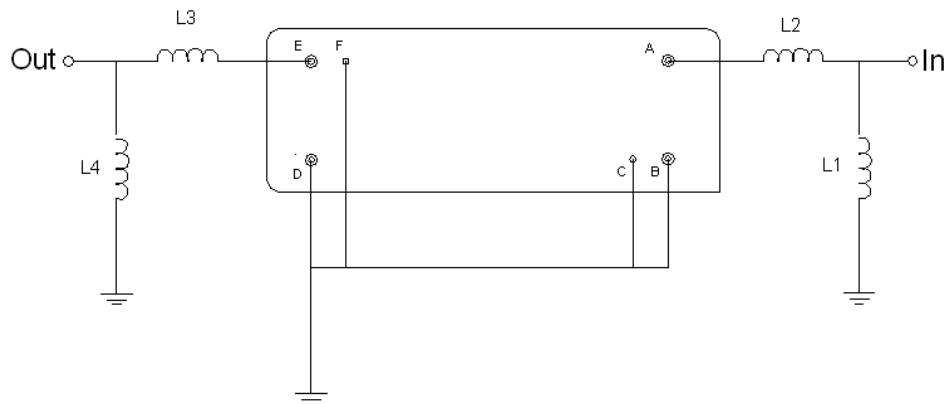


Mechanical Dimensions (mm)



Pin Description	
B, C, D, F	Ground
A	In
E	Out

Test Circuit



Test Fixture & Values	
Input	L1=27 nH, L2=18 nH
Output	L3=18 nH, L4=27 nH
Source/Load Impedance	50 Ω



Maximum Ratings

Parameters Description	Unit	Minimum	Typical	Maximum
Operating Temperature Range	°C	-20	-	70
Storage Temperature Range	°C	-20	-	85
Maximum DC Voltage	V	-	-	10
Maximum Input Power	dBm	-	-	10
Source Impedance (single ended) ⁽¹⁾	Ω	-	50	-
Load Impedance (single ended) ⁽¹⁾	Ω	-	50	-

Notes: With Matching Network (Ref. Testing Environment Circuit as shown above).

Those impedances could be modified with different impedance values and/or structures, if necessary.

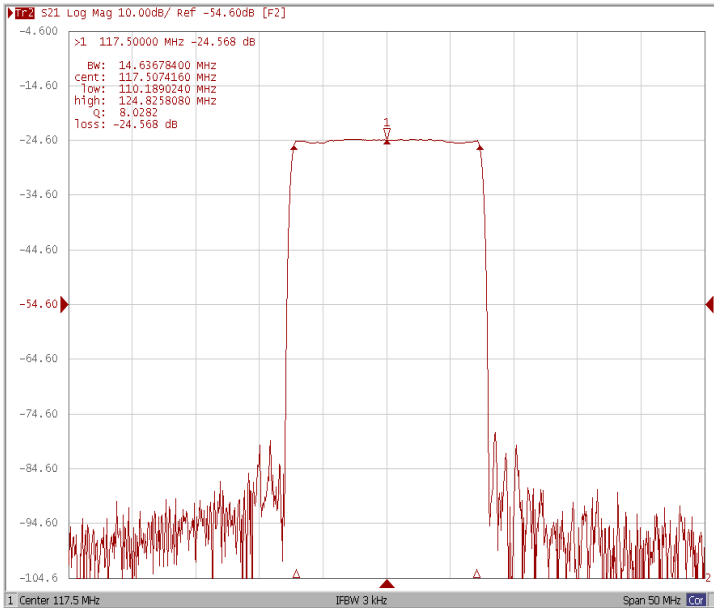
Electrical Specification

Parameters Description	Unit	Minimum	Typical	Maximum
Center Frequency (Fo)	MHz	117.40	117.5	117.65
Insertion Loss at Fo	dB	-	24.5	26.00
Group Delay Variation (Fo±7.09MHz)	ns	-	46	100
Phase Linearity (Fo±7.09MHz)	deg	-	13.0	-
Absolute Delay Time at Fo	us	-	4.05	4.20
Temperature Coefficient	ppm/°C	-	-20	-
Amplitude Ripple (Fo±7.09MHz)	dB	-	0.71	1.7
Bandwidth at -1dB	MHz	14.45	14.63	-
Bandwidth at -45dB	MHz	-	15.92	16.10
Input & Output Return Loss	dB	6	7	-
Triple transit attenuation	dBc	35	-	-
Relative Attenuation				
10MHz~105.0MHz	dBc	40	63	-
@109.84 MHz	dBc	8	11.9	-
@109.94 MHz	dBc	3	6.7	-
@125.06 MHz	dBc	3	5.7	-
@125.16 MHz	dBc	8	10.0	-
130.0MHz ~300.0MHz	dBc	40	63	-

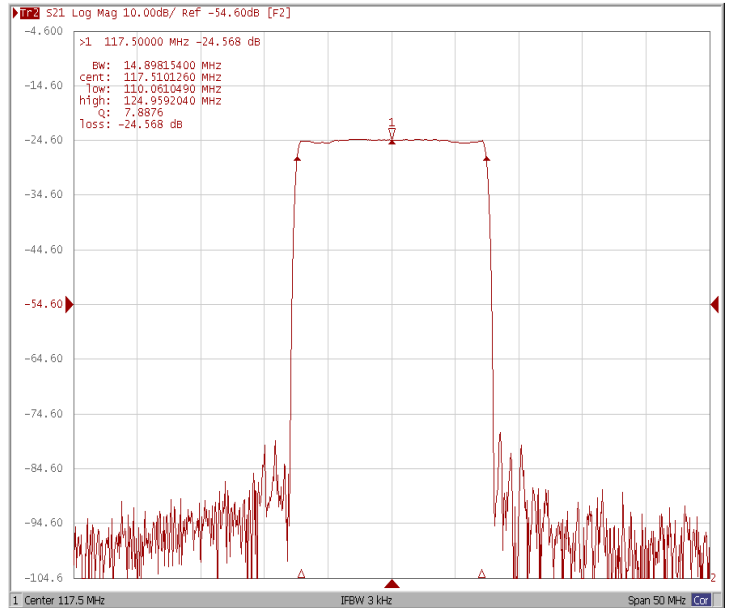


Frequency Response

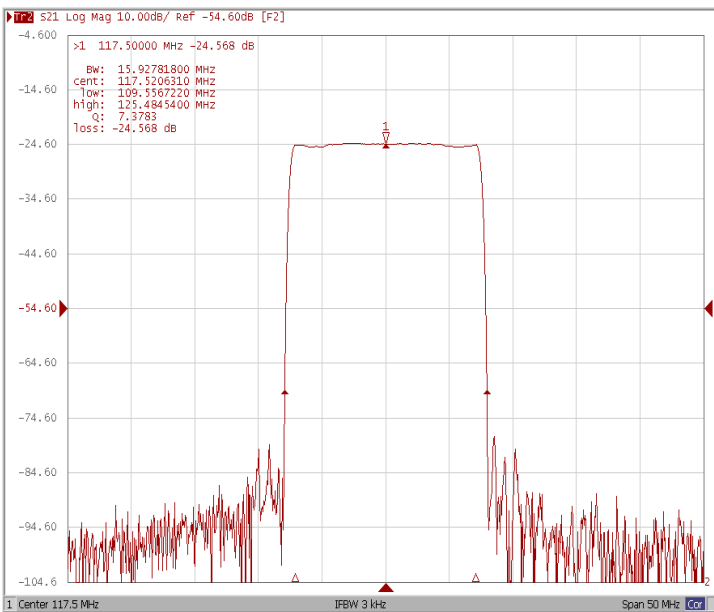
Bandwidth at -1.0 dB



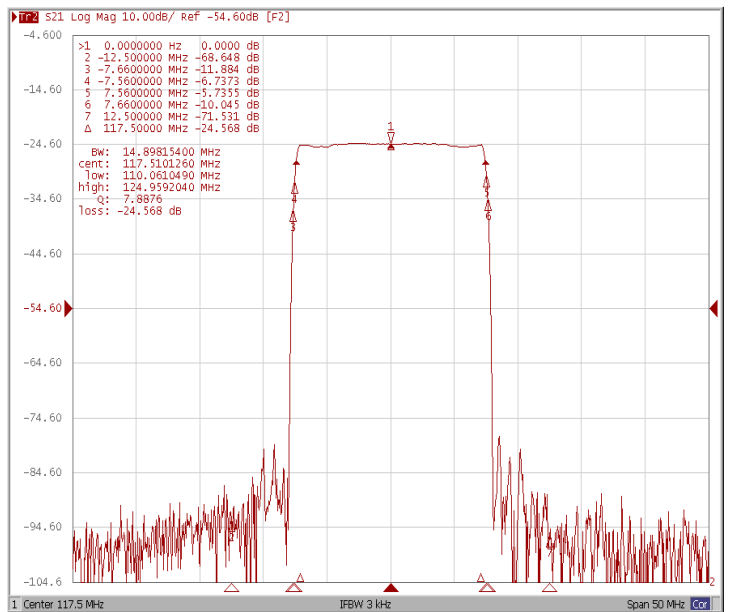
Bandwidth at -3.0 dB



Bandwidth at -45.0 dB

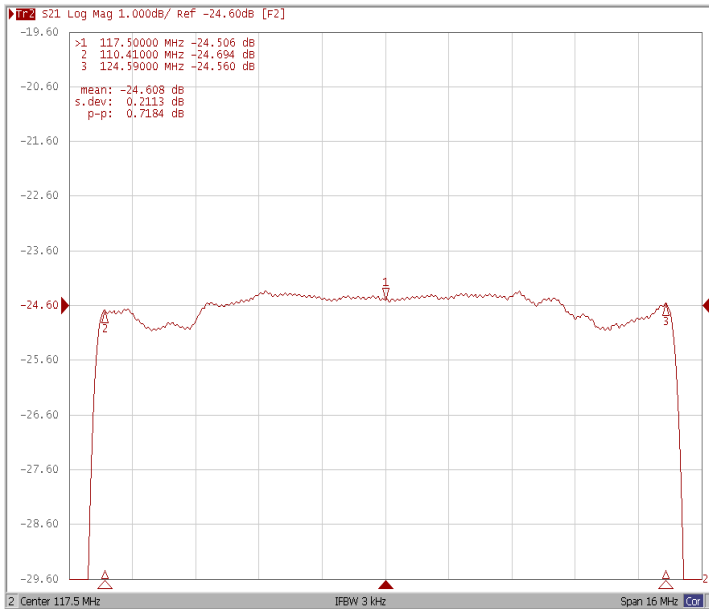


Relative Attenuation

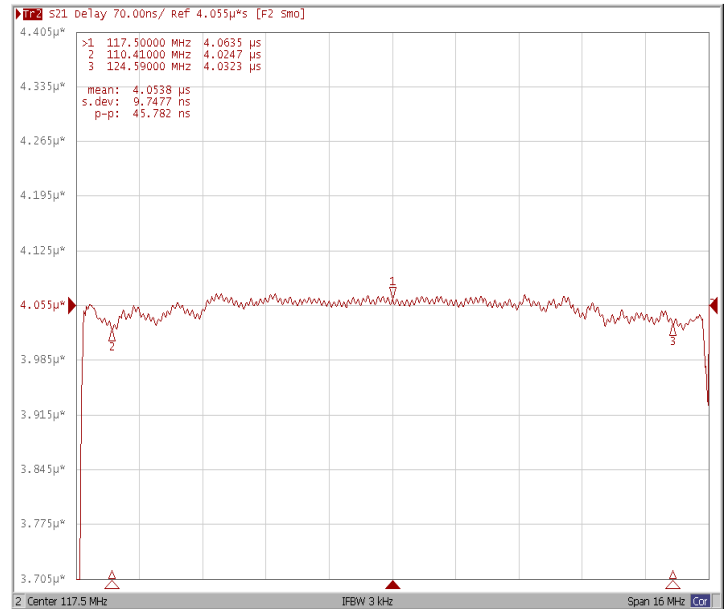




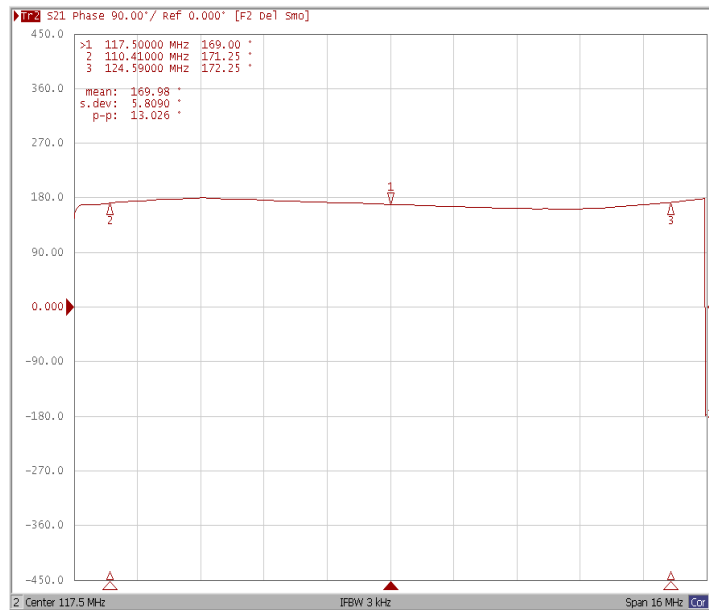
Ripple Variation Fo±7.09MHz



Group Delay Variation Fo±7.09MHz

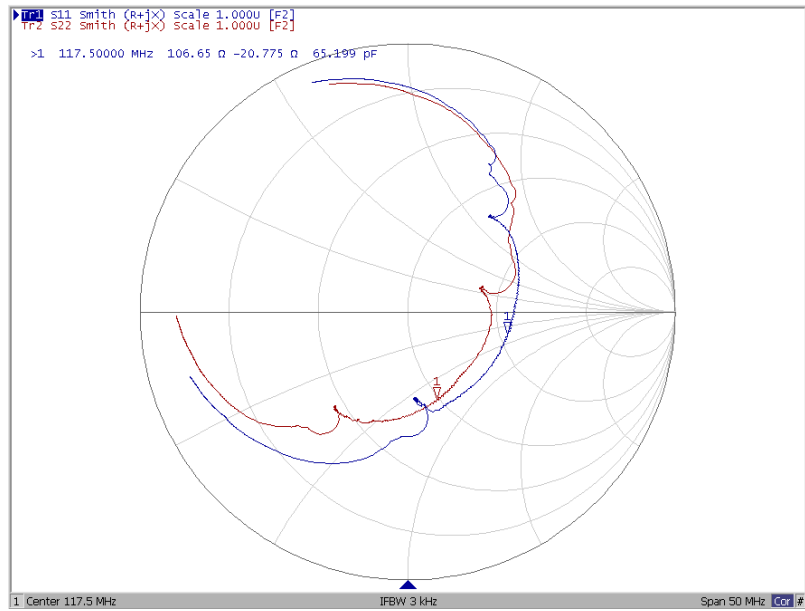


Phase Linearity Fo±7.09MHz





Smith Chart

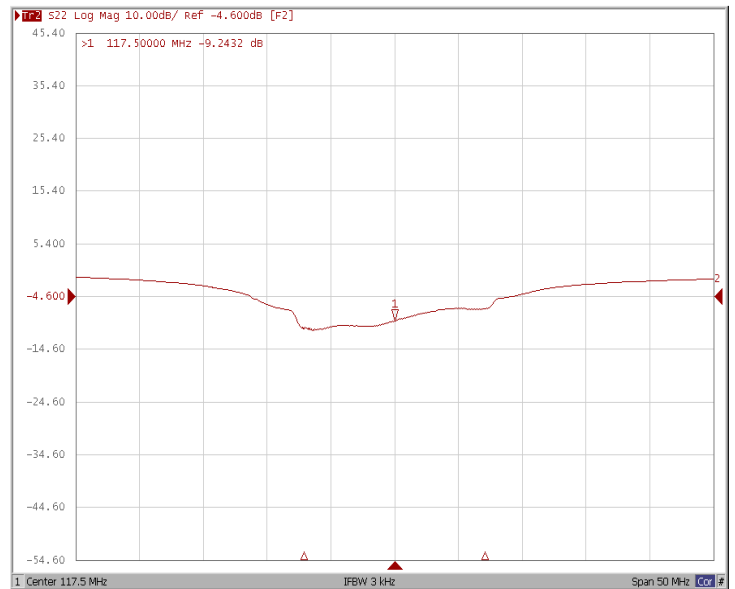


Return Loss

S11



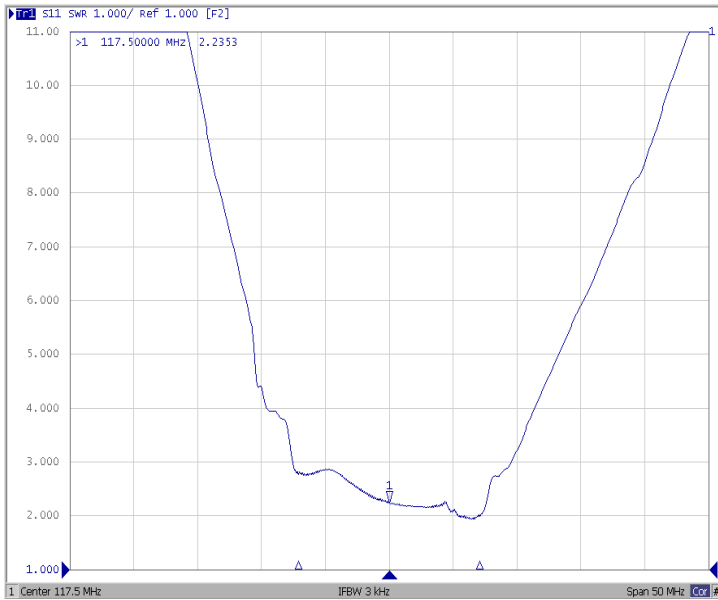
S22





VSWR

S11



S22

