

Minimizing the SET-related effects on the output of a voltage linear regulator

Introduction

This application note deals with the effects of SET (single event transient) on the RHFL4913A low-drop linear regulator. After a short description of the phenomenon, some solutions for coping with these effects are introduced and discussed.

The RHFL4913A voltage regulator

The RHFL4913A is an adjustable high-performance positive voltage regulator with exceptional radiation performance. It is tested in accordance with the Mil Std 883E method 1019.6, in ELDRS conditions. The device is available in the Flat-16 and the new SMD5C hermetic ceramic package, as shown in [Figure 1](#), and the QML-V die is specifically designed for space and harsh radiation environments. In [Figure 2](#) the internal block diagram is shown.

Figure 1. RHFL4913A packages

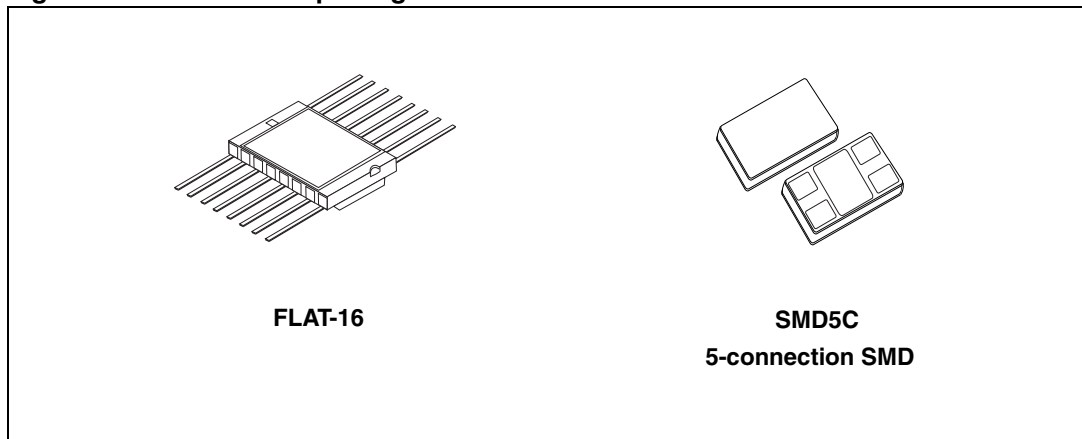
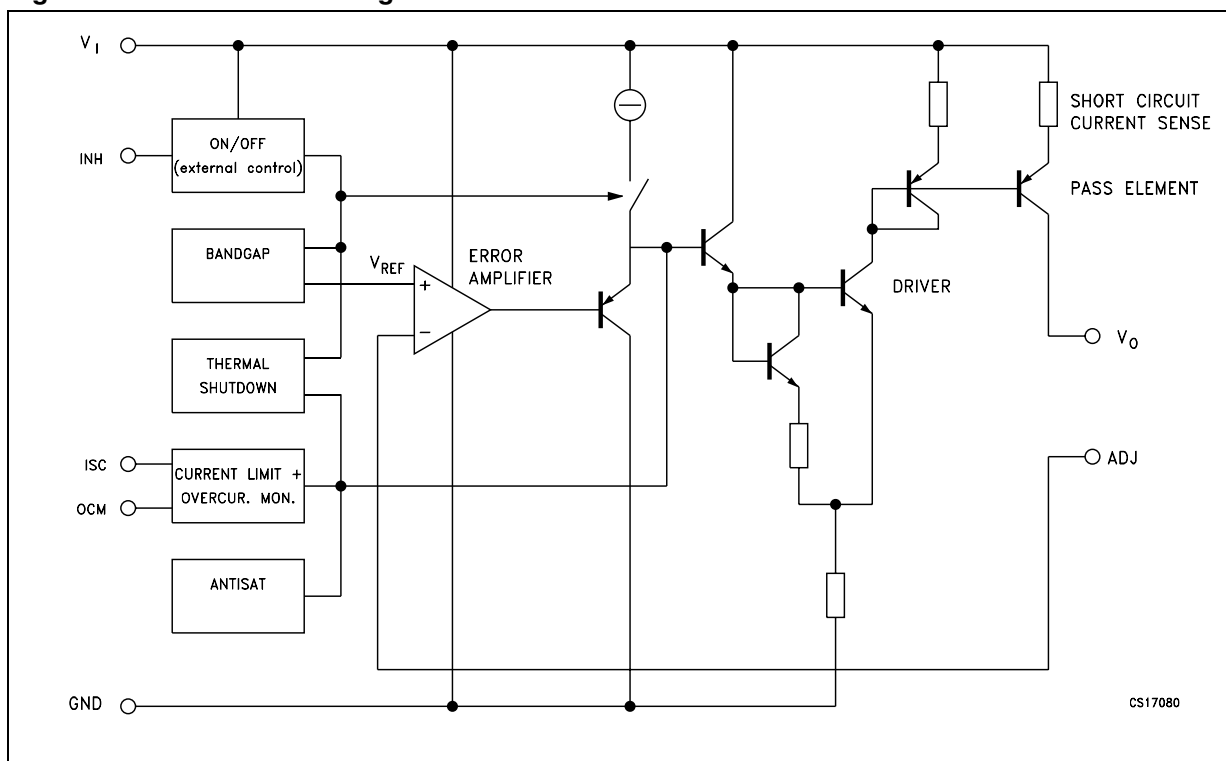


Figure 2. Internal block diagram



The RHFL4913A operates with an input supply of up to 12 V. To adjust the output voltage, the R2 resistor must be connected between the V_O and ADJ pins. The R1 resistor must be connected between the ADJ and ground. Resistor values can be derived from the following formula:

$$V_O = V_{ADJ} (R1 + R2) / R1$$

The V_{ADJ} is 1.23 V, controlled by the internal temperature-compensated band-gap block. The minimum output voltage is therefore 1.22 V and the minimum input voltage is 3 V. The adjustable RHFL4913A is functional as soon as the $(V_I - V_O)$ voltage difference is slightly above the power element saturation voltage. The ADJ pin to ground resistor value must not be greater than 10 k Ω , in order to keep the output feedback error below 0.2 %. A minimum of 0.5 mA I_O must be set to ensure perfect no-load regulation. It is advisable to dissipate this current into the divider bridge resistor. All available V_I pins, as well as all available V_O pins, should always be externally interconnected, otherwise the stability and reliability of the device cannot be guaranteed. The inhibit function switches off the output current electronically, and therefore very quickly.

According to Lenz's Law, external circuitry reacts with $L di/dt$ terms, which can be of high amplitude where a serial coil inductance exists. Large transient voltage would develop on both device terminals. It is advisable to protect the device with Schottky diodes to prevent negative voltage excursions. In the worst case, a 14 V Zener diode can protect the device input. The device has been designed for high stability and low dropout operation. Therefore, tantalum input and output capacitors with a minimum 1 μ F are mandatory. The ESR capacitor range is from 0.01 Ω to over 20 Ω . This range is useful when ESR increases at a low temperature. When large transient currents are expected, larger value capacitors are necessary. In the case of high current operation with short circuit events expected, caution must be exercised with regard to capacitors. They must be connected as close as possible

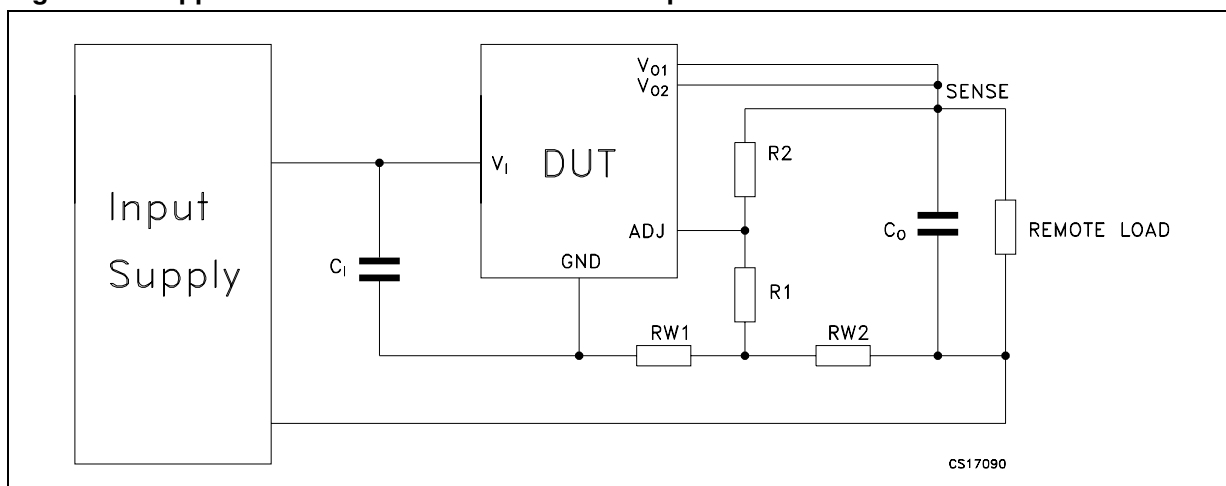
to the device terminals. As some tantalum capacitors may permanently fail when subjected to high charge-up surge currents, it is recommended to decouple them with 470 nF polyester capacitors.

As the RHFL4913A adjustable voltage regulator is manufactured with very high speed bipolar technology (6 GHz f_T transistors), the PCB layout must be designed with exceptional care, with very low inductance and low mutually coupling lines. Otherwise, high frequency parasitic signals may be picked up by the device resulting in system self-oscillation. The benefit is an SVR performance extended to far higher frequencies.

In order to replace a standard 3-terminal industry device, fixed voltage versions are available.

A separate Kelvin voltage sensing line provides the ADJ pin with exact load “high potential” information. But variable remote load current consumption induces variable I_q current (I_q is roughly the I_{OUT} current divided by the h_{FE} of the internal PNP series power element) routed through the parasitic series line RW2 resistor. To compensate for this parasitic voltage, an RW1 resistor can be introduced to provide the necessary compensating voltage signal to the ADJ pin, as shown in [Figure 3](#).

Figure 3. Application schematic for remote load operation



In the case of an FPGA power supply, as these devices are very sensitive to VDD transients beyond a small percentage of their nominal supply voltage (usually 1.5 V), special attention must be taken to mitigate possible heavy-ion disturbances. The worst case heavy-ion effect can be summarized as the following: the RHFL4913A internal control loop being cut (opened) or short-circuited for a sub-microsecond duration. During such an event, the RHFL4913A die power element can either provide excessive current or current supply stoppage to the output (V_{OUT}) for a duration of about one microsecond, after which time the voltage regulator smoothly recovers to nominal operation. To mitigate these “transients”, it is recommended to firstly implement the PCB layout using the following notes:

- Minimizing series/parallel parasitic inductances of the PC path;
- Using a low ESR 47 μ F tantalum V_{OUT} filtering capacitor with a 470 nF ceramic capacitor in parallel with the former (to reduce dynamic ESR);

With this implementation, the ELDO simulated worst transient case shows no more than a 90 mV deviation from the nominal line voltage value.

1 Mitigation technique for SET

As we know, the characteristics of the voltage transient on the output of a voltage regulator, consequent to the transfer of energy related to an ion strike with the silicon, is a critical issue in space applications. Large undershoot can cause erratic operations in memories and microprocessors, while overshoot of an excessive amplitude can lead to the degradation - or even the destruction - of CMOS devices. For example, for most FPGA the recommended operating voltage is 1.5 V with 1.6 V the maximum limit (in some applications it is restricted to 1.575 V to maintain a further safety margin). The latter applies to both static and dynamic operating conditions.

The recommendations in this application note are based on the outcomes of an experimental analysis conducted at Texas A&M University (Cyclotron Single Event Effects Test facility on device behavior in a heavy ion environment). For more information please refer to “SEE test report V3.0 - Heavy Ion SEE test of RHFL4913A from STMicroelectronics with SET mitigation circuitry”, issued by NASA on November 18th, 2006.

During these experiments, the configurations, illustrated in [Figure 4](#) and [Figure 5](#), were found capable of reducing the SET transient's characteristics on the voltage regulator output at a level acceptable for most critical applications, e.g. FPGA supply.

Figure 4. Baseline bias configuration with remote feedback

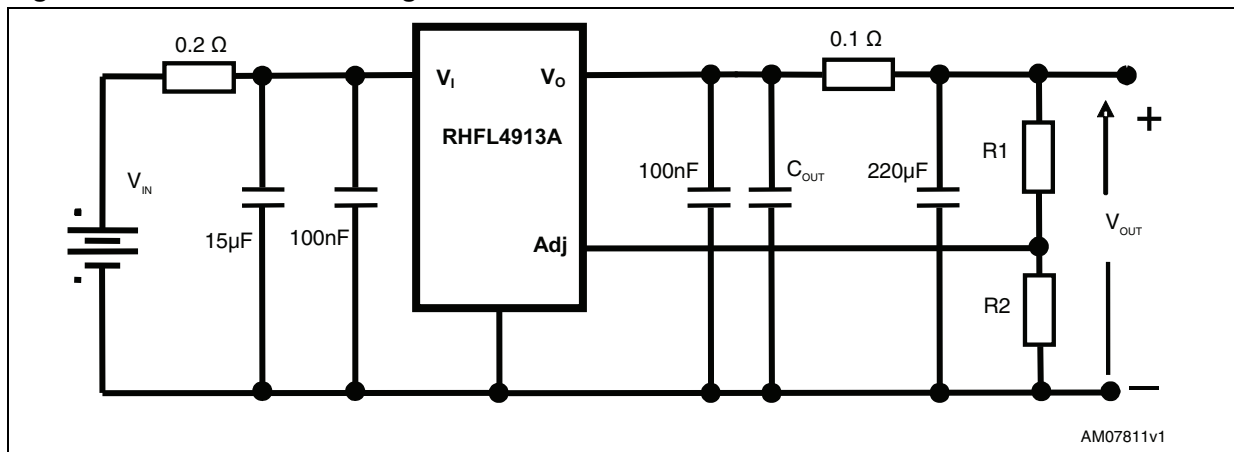
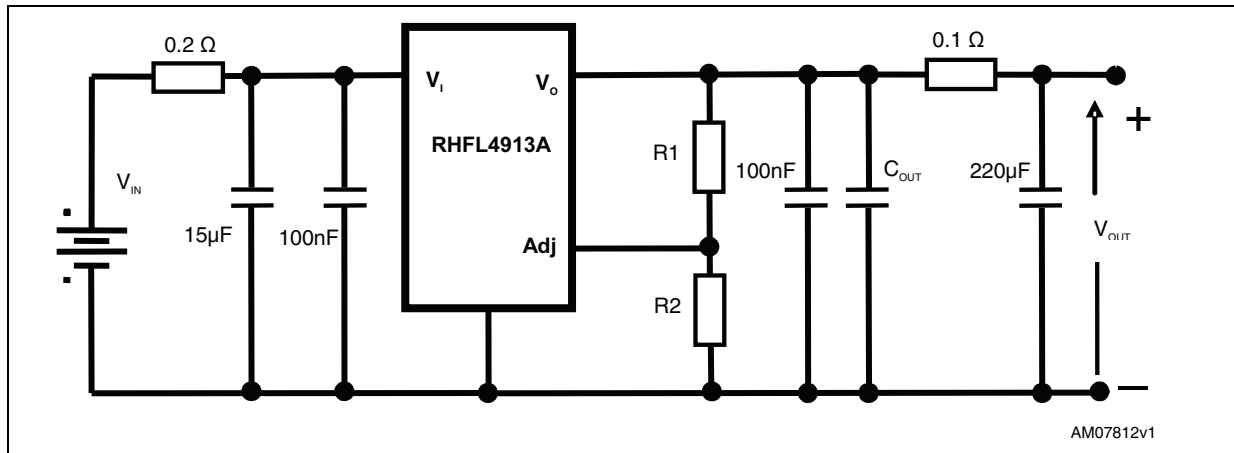


Figure 5. Local feedback configuration



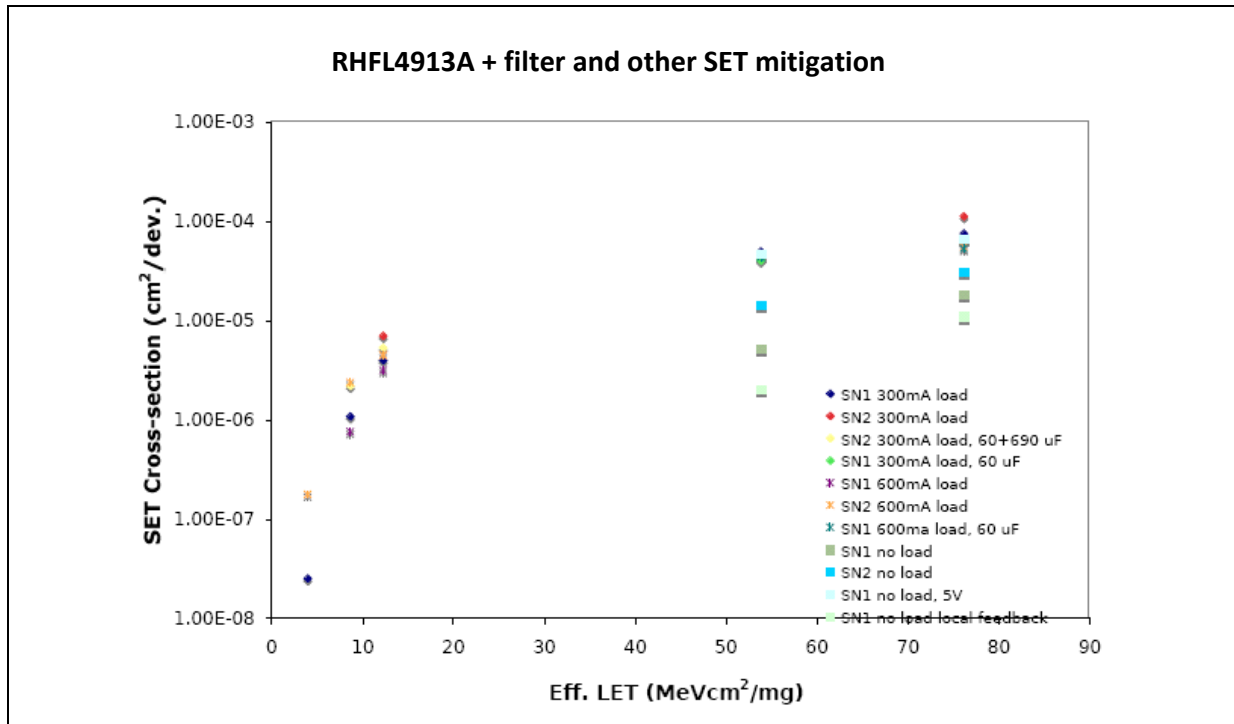
Each of the two options has its own advantages and drawbacks. In the scheme shown in [Figure 4](#), as the R resistor is located between the voltage regulation output and the output voltage setting resistors, the regulation - especially with the load - is expected to be much better and thus the output voltage more precise compared to the second option; the latter option should have superior SET immunity.

For both configurations, the characteristics of the transients can be summarized as follows:

1. In many of the SETs observed, both short (< 100 nsec) and long-duration (max 2 sec) pulses are present;
2. SET cross-section increases with the LET, as expected;
3. SETs associated to the highest LET are those with the longest transients (provided the other conditions are the same);
4. Irrespective of the LET, at a fixed $V_{IN} = 3.3$ V the max V_{OUT} deviation measured is < 140 mV, using high-quality, low-ESR, low-ESL capacitors, (i.e., ceramic or tantalum); higher $(V_{IN}-V_{OUT})$ dropout increases the max V_{OUT} excursion;
5. The short-duration pulses are mostly dependent on the ESL of the capacitors used, and also dependent on the stray inductances. Therefore, they cannot be suppressed by simply increasing the cap value. The only way to minimize them is with an action at board level.
6. In the scheme of [Figure 4](#), all long-duration pulses can be suppressed by adding a capacitor of at least $60 \mu\text{F}$ before the filter.

Even the SET cross-section is limited, at least for LET up to $53 \text{ Mev}\cdot\text{cm}^2/\text{mg}$, as shown in [Figure 6](#).

Figure 6. SET cross-section vs. LET diagram



As can be seen, the best solution recommended in critical applications is the one given in [Figure 4](#), with an additional capacitor of at least 60 μF connected before the RC filter.

Finally, some additional recommendations in order to minimize the output voltage glitches:

- a) Use low ESR ($< 30 \text{ m}\Omega$), low ESL (10 - 20 nH) ceramic capacitors or others rated for high speed applications.
- b) ESL can be reduced using an array of parallel capacitors.
- c) GND: implement star bus topology or a plane.
- d) C_{IN} as close to V_{IN} - GND pads as possible.
- e) A 10 nF cap between OUT and ADJ runs as an effective noise filter and improves stability; it is essential in remote sensing configuration.

In conclusion, most SETs can be mitigated by means of external components: input and output resistors, output series Schottky diodes, and RC filters, resulting in greatly reduced SET sensitivity and remaining SETs with small amplitude (below 200 mV) and short duration ($< 20 \text{ ns}$).

2 Revision history

Table 1. Document revision history

Date	Revision	Changes
23-Jun-2010	1	Initial release.

Please Read Carefully:

Information in this document is provided solely in connection with ST products. STMicroelectronics NV and its subsidiaries ("ST") reserve the right to make changes, corrections, modifications or improvements, to this document, and the products and services described herein at any time, without notice.

All ST products are sold pursuant to ST's terms and conditions of sale.

Purchasers are solely responsible for the choice, selection and use of the ST products and services described herein, and ST assumes no liability whatsoever relating to the choice, selection or use of the ST products and services described herein.

No license, express or implied, by estoppel or otherwise, to any intellectual property rights is granted under this document. If any part of this document refers to any third party products or services it shall not be deemed a license grant by ST for the use of such third party products or services, or any intellectual property contained therein or considered as a warranty covering the use in any manner whatsoever of such third party products or services or any intellectual property contained therein.

UNLESS OTHERWISE SET FORTH IN ST'S TERMS AND CONDITIONS OF SALE ST DISCLAIMS ANY EXPRESS OR IMPLIED WARRANTY WITH RESPECT TO THE USE AND/OR SALE OF ST PRODUCTS INCLUDING WITHOUT LIMITATION IMPLIED WARRANTIES OF MERCHANTABILITY, FITNESS FOR A PARTICULAR PURPOSE (AND THEIR EQUIVALENTS UNDER THE LAWS OF ANY JURISDICTION), OR INFRINGEMENT OF ANY PATENT, COPYRIGHT OR OTHER INTELLECTUAL PROPERTY RIGHT.

UNLESS EXPRESSLY APPROVED IN WRITING BY AN AUTHORIZED ST REPRESENTATIVE, ST PRODUCTS ARE NOT RECOMMENDED, AUTHORIZED OR WARRANTED FOR USE IN MILITARY, AIR CRAFT, SPACE, LIFE SAVING, OR LIFE SUSTAINING APPLICATIONS, NOR IN PRODUCTS OR SYSTEMS WHERE FAILURE OR MALFUNCTION MAY RESULT IN PERSONAL INJURY, DEATH, OR SEVERE PROPERTY OR ENVIRONMENTAL DAMAGE. ST PRODUCTS WHICH ARE NOT SPECIFIED AS "AUTOMOTIVE GRADE" MAY ONLY BE USED IN AUTOMOTIVE APPLICATIONS AT USER'S OWN RISK.

Resale of ST products with provisions different from the statements and/or technical features set forth in this document shall immediately void any warranty granted by ST for the ST product or service described herein and shall not create or extend in any manner whatsoever, any liability of ST.

ST and the ST logo are trademarks or registered trademarks of ST in various countries.

Information in this document supersedes and replaces all information previously supplied.

The ST logo is a registered trademark of STMicroelectronics. All other names are the property of their respective owners.

© 2010 STMicroelectronics - All rights reserved

STMicroelectronics group of companies

Australia - Belgium - Brazil - Canada - China - Czech Republic - Finland - France - Germany - Hong Kong - India - Israel - Italy - Japan - Malaysia - Malta - Morocco - Philippines - Singapore - Spain - Sweden - Switzerland - United Kingdom - United States of America

www.st.com