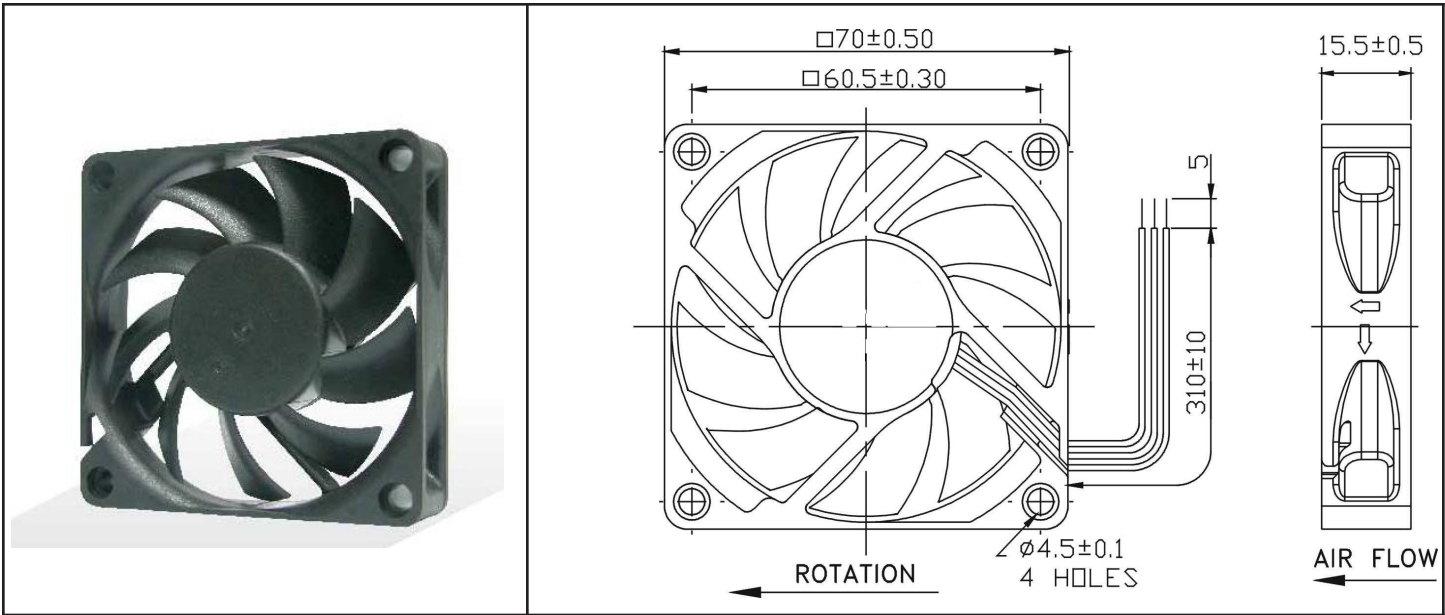


OD7015-12HHB01A



DC Fan, 12VDC  
70x15mm (2.76x.60in)



Frame & Impeller	PBT, UL94V-0 plastic	Available Options	Static Pressure mmH <sub>2</sub> O: 8.41, .3311 inH <sub>2</sub> O: 6.728, .26488 inH <sub>2</sub> O: 5.046, .19866 inH <sub>2</sub> O: 3.364, .13244 inH <sub>2</sub> O: 1.682, .06622 inH <sub>2</sub> O: 0 Flowrate: 0, 10, 20, 30, 40, 50 cfm Flowrate: 0, .286, .572, .858, 1.144 m <sup>3</sup> /min
Connection	3x Lead wires *		
Motor	Brushless DC, auto restart, polarity protected.	IP55 Other speeds and voltages Alarm	
Bearing System	Dual ball bearing	*Connection: Wire Leads - UL1007 24AWG Red(+), Black (-), White Tachometer  Weight: 61 g	
Insulation Resistance	Min. 10M at 500VDC		
Dielectric Strength	1 second at 500VAC max leakage 500 microamp		
Temperature Range	-10C ~ +70C		
Storage Temperature	-40C ~ +80C		
Life (L10)	70,000 hours (40C)		

Model Number	OD7015-12HHB01A	*Output type.....Open collector type *Electrical design suggestion: (External signal function design is decided by customer)	
Part Number	112151221		
Nominal Voltage	12 VDC		
Voltage Range	7~13.2 VDC		
Nominal Current	.26 A		
Rated Power	4.32 Watts		
Rated Speed (RPM)	5500		
Airflow (CFM)	41		
Noise Level (dB)	44.5		
Max. Static Pressure	.26 "H <sub>2</sub> O		
			*Transistor Q1 at "ON" position Collector current.....I <sub>c</sub> =10mA Max Saturation Voltage.....V <sub>OL</sub> =1.0V Max (Between Collector and Emitter at I <sub>c</sub> =10mA) *Transistor Q1 at "OFF" position Release Voltage.....V <sub>OH</sub> =15V Max