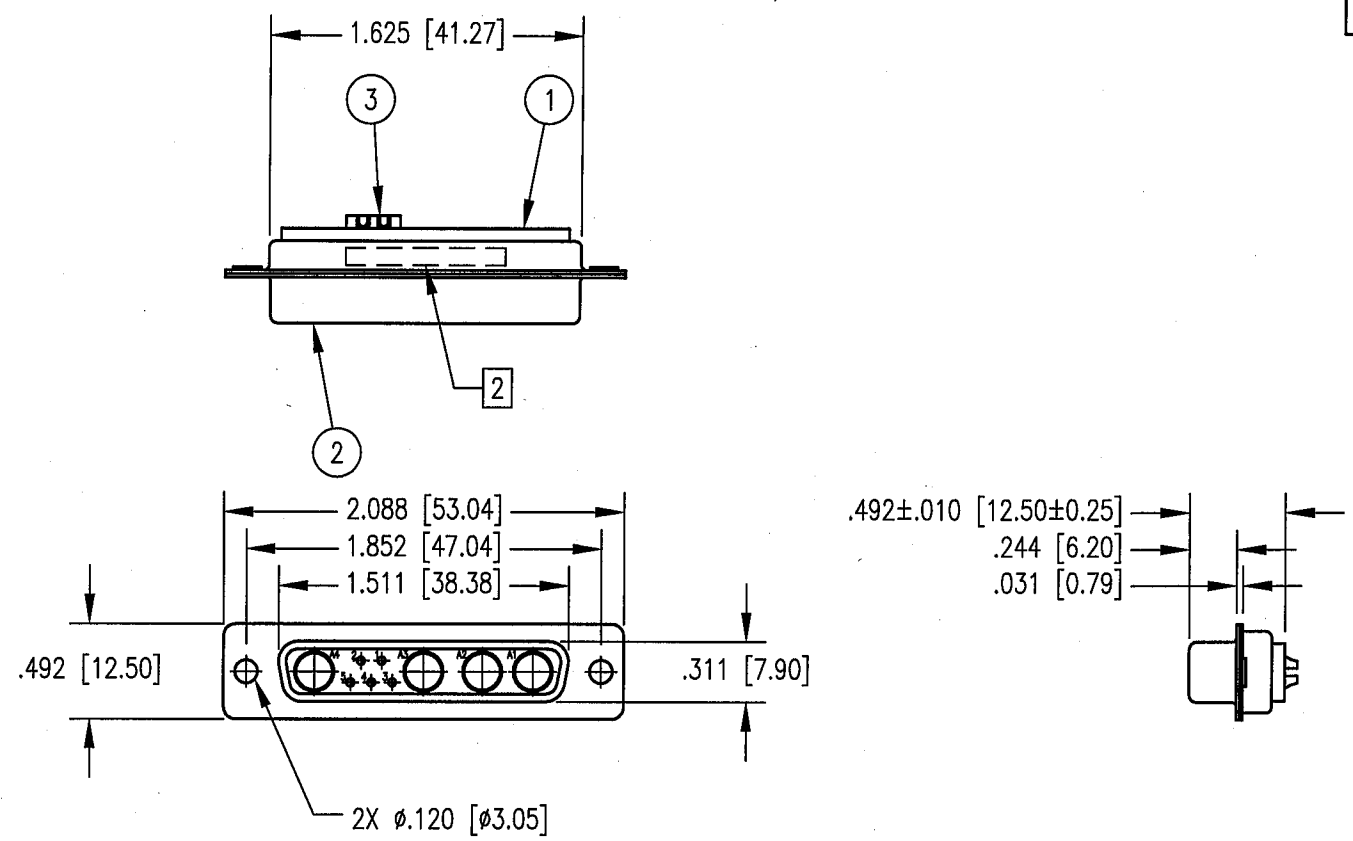


REV	DESCRIPTION	BY DATE	APPD
A	RELEASE PER ECR 7729	09/13/03	[Signature]



NOTES:

1. THIS CONNECTOR IS DESIGNED TO MEET THE APPLICABLE PERFORMANCE REQUIREMENTS OF MIL-DTL-24308, MS18270, DSCC 85039 AND DCSS 89076.
2. APPROXIMATE LOCATION OF MARKING AS SHOWN ON INDICATED SURFACE.

SPECIFICATIONS:  
MATERIALS & FINISHES

1. INSULATOR: THERMOPLASTIC POLYESTER, GLASS FILLED  
RATED 50 KV/MM. COLOR: GREEN
2. SHELL: STEEL  
FINISH: YELLOW CHROMATE OVER ZINC
3. CONTACTS: BRASS  
FINISH: GOLD OVER NICKEL

PER ASME Y14.5M-1994 UNLESS OTHERWISE SPECIFIED: DIMENSIONS ARE IN INCHES [MM]				<b>NORTHROP GRUMMAN</b>  Winchester Electronics 82 Barnes Industrial Road North Wallingford, CT 06492	
TOLERANCES: DECIMALS .XX ± .01/0.254 .XXX ± .005/0.127 ANGLES ± 2° SCALE: 1:1					
<b>CUSTOMER DRAWING</b>			TITLE D-SUB HOUSING MIXED LAYOUT (9W4S)		
DRAWN MJF	DATE 9/14/01	CHECKED JED	DATE 9/14/01	SHIT. 1	OF 1
APPROVED JEM	DATE 9/14/01	APPROVED KJT	DATE 9/14/01	A	SDRM9W4S-50-ZB