



LDA-38

- Laser Diode Assembly
- 3.8 mm TO-Can
- Focusable Acryl Lens
- Brass, black burnished



Description

LDA-38 is a complete laser diode assembly, suitable for standard 3.8 mm TO-Can laser diodes. It features focusable acryl collimating lens and laser diode mounting flange with threaded latching. Made from black burnished brass, and tooled on high precision CNC machinery, **LDA-38** offers excellent dimensional accuracy and axial alignment.

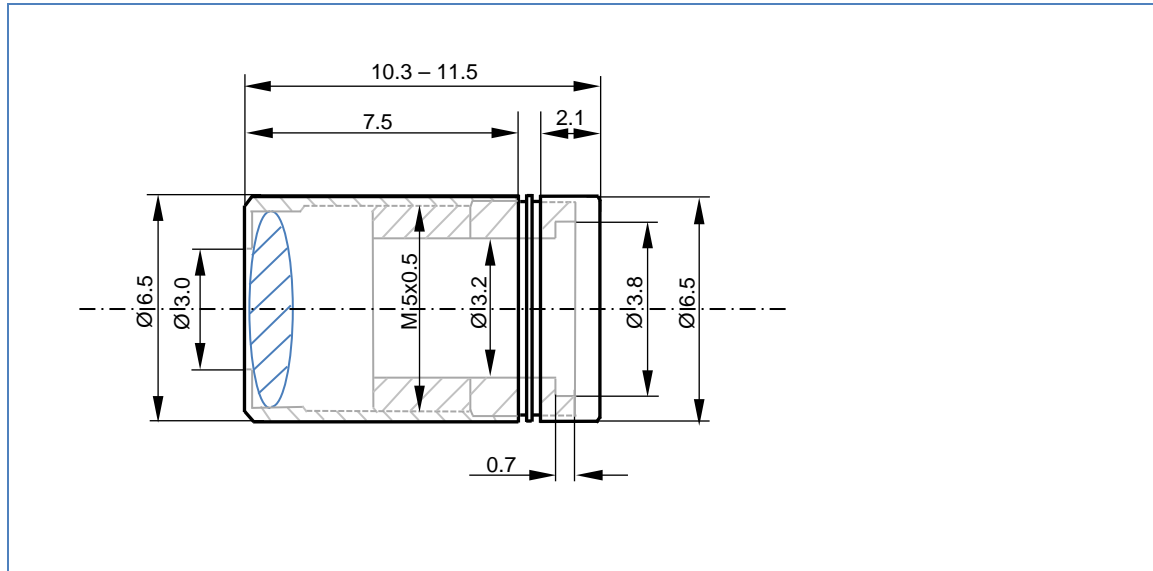


Specifications

Parameter	Symbol	Values	Unit
Focus Length	f	6.5	mm
Back Focus Length	f _B	4.9	mm
AR-coating		uncoated	
Dimensions		Ø 6.5 x 11	mm
Material		Brass, black burnished	
Weight		5	g



Drawing



All dimensions in mm (ISO g7)

© All Rights Reserved

The above specifications are for reference purpose only and subjected to change without prior notice