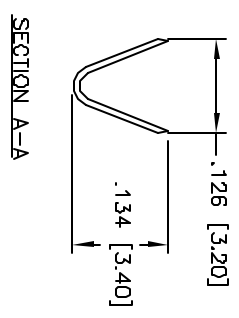
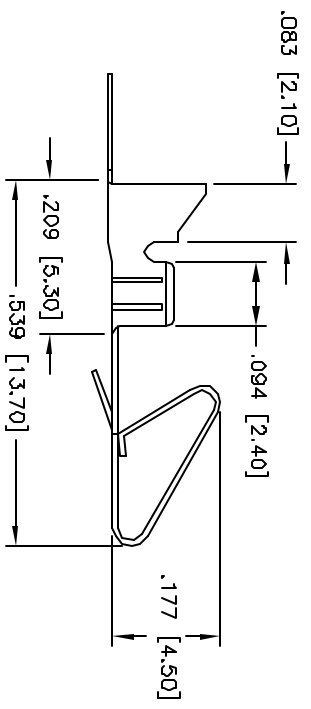
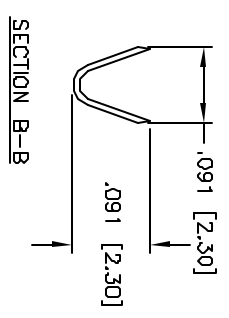
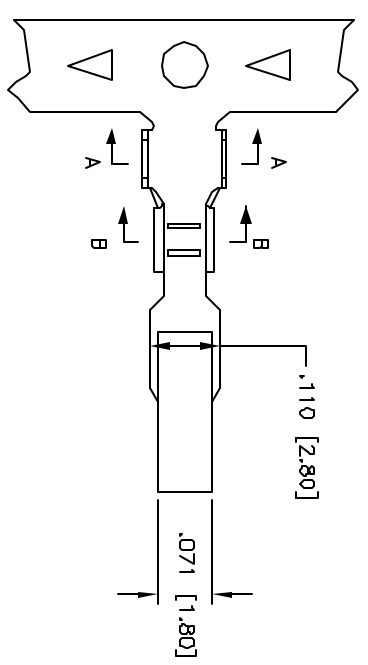


Rev	AWG #	Description	Date	Appr
-		RELEASED	4/12/05	

APPROVED: _____
 DATE: _____ TITLE: _____



Packaging:
 B = 1,000 pieces loose cut
 R = 6,000 pieces on reel

SPECIFICATIONS:
 Material:
 Contact: Brass
 Plating:
 Tin over Copper underplate overall
 Electrical:
 Wire range: 18-24 AWG
 Current rating: 5 Amps max
 Contact resistance: 10 mohms max
 Dielectric withstanding voltage: 1,500 VAC for 1 minute
 Temperature Rating:
 Operating temperature: -25°C to +85°C
 Environmental:
 Lead free, RoHS compliant



UNLESS OTHERWISE SPECIFIED ALL DIMENSIONS ARE NICHES [MM] TOLERANCES: EXCEPT AS NOTED INCHES .10 ±.010 .020 ±.010 .015 ±.010 .010 ±.010 .010 ±.010 .010 ±.010		DATE 4/12/05		TITLE CRIMP CONTACT	
DRAWN	SS	SIZE	PART NO.	REV.	
CHECKED		X	MTB-CX	-	
APPROVED		REF:	SCALE: NIB	SHEET 1	OF 1

ADAM TECH
 909 Rahway Avenue, Union, NJ 07083
 Phone: 908-887-5000 Fax: 908-887-5710

6 5 4 3 2 1