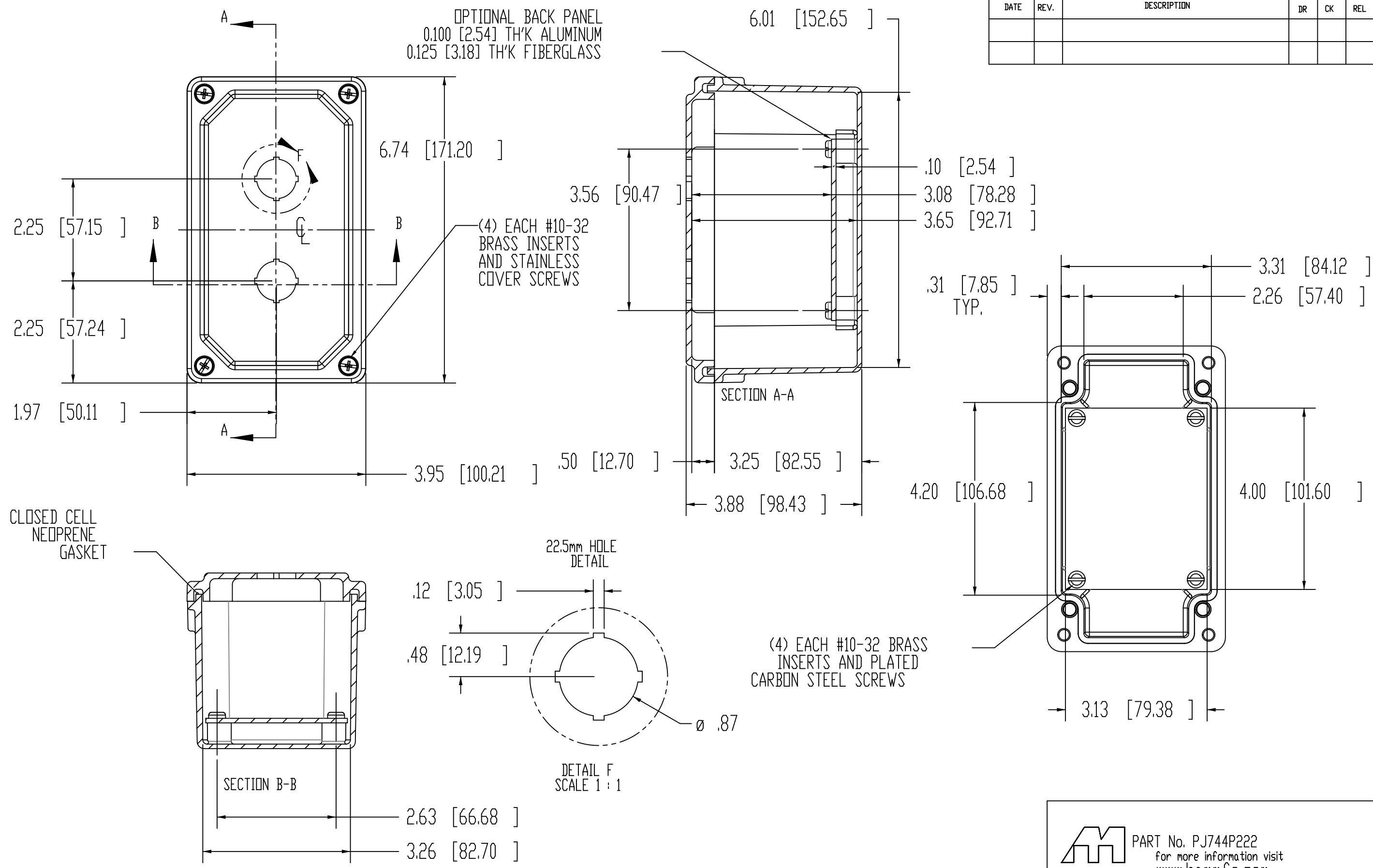
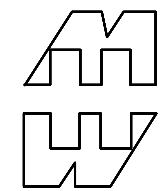


DATE	REV.	DESCRIPTION	DR	CK	REL




**PART No. PJ744P222**  
 for more information visit  
[www.hammfg.com](http://www.hammfg.com)  
 Data subject to change without notice  
 Drawing Not to Scale