

### Sensitivity Wavelength Range: 800nm ~ 1750nm

The 1346 series from Marktech, a high sensitivity and high reliability product series, is ideally suited for Optical Communication devices. Custom packaging options for this die are also available.

#### FEATURES

- > High Speed Response
- > TO-39 Metal Can Package
- > Active Area of 2.0mm / High Sensitivity
- > Spectral Range 800nm -- 1750nm

#### APPLICATIONS

- > High Speed Optical Communications
- > Optical LAN
- > Optical Switches
- > Ethernet Fiber Channel



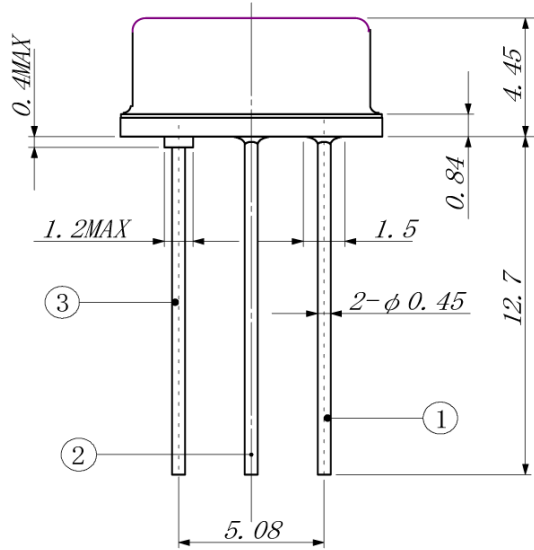
### Absolute Maximum Ratings (Ta=25°C)

ITEMS	SYMBOL	RATINGS	UNIT
Active Area	Φ	2.0	mm
Operating Temperature Range	Topr	-40 ~ +85	°C
Storage Temperature Range	Tstg	-40 ~ +125	°C

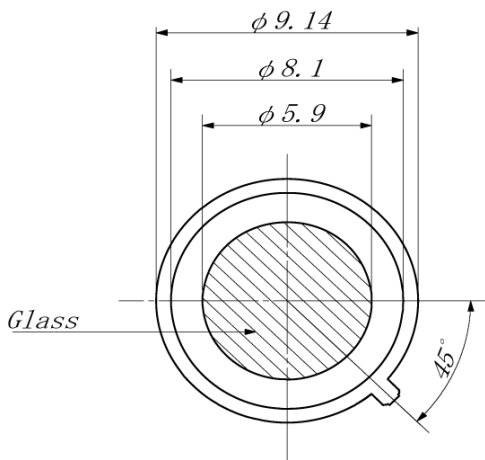
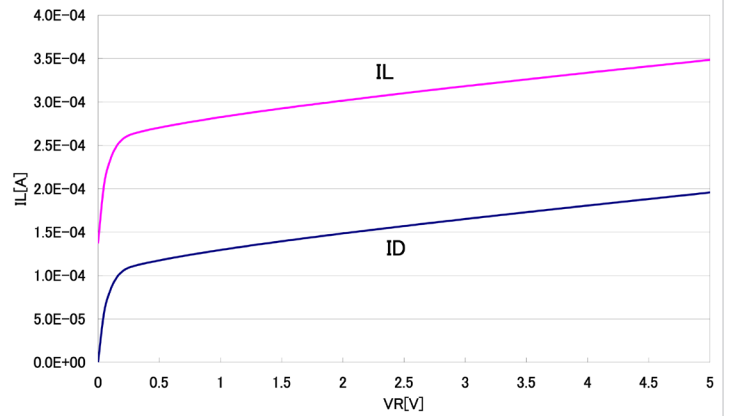
### Electrical & Optical Characteristics (Ta = 25°C)

ITEMS	SYMBOL	CONDITIONS	MIN	TYP	MAX	UNIT
Sensitivity Range	λ	VR=0V	800	--	1750	nm
Dark Current	ID	VR=2V	--	--	150	μA
Junction Capacitance	Cj	VR=0V	--	600	--	pF
Photo Current at 1300nm *1	IL	*2	--	300	--	μA

\*1: As mounted on TO-46 gold header without resin coating. \*2, VR=2V, Ee=1mW/cm<sup>2</sup>



①Cathode ②Anode ③Case



Unit: mm, Tolerance: ±0.2

The information contained herein is subject to change without notice.

2014-01-27