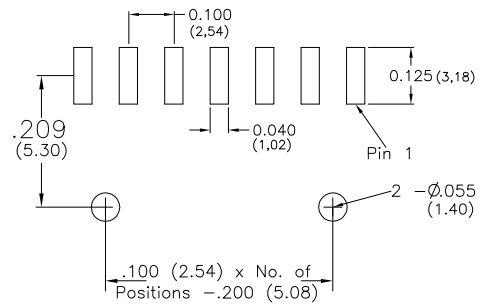
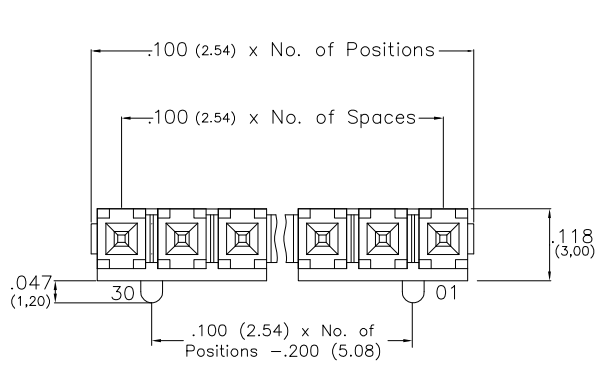
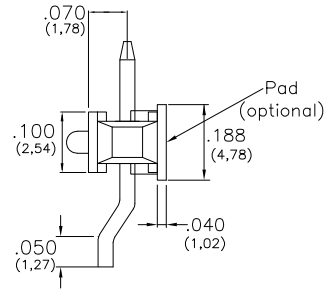
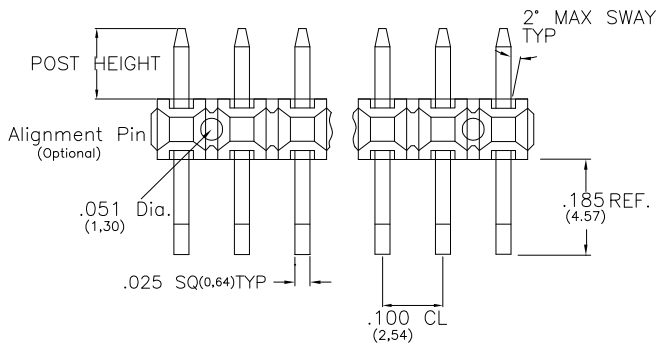


# Major League Electronics .100 cl Terminal Strip Header - Surface Mount - Horizontal

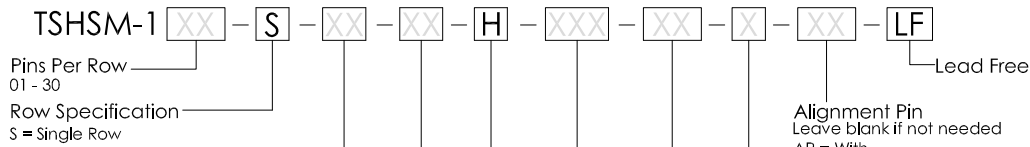


Recommended P.C. Board Layout



Tails may be clipped to achieve desired pin length

## Ordering Information



Pin Options		
Post Height		
.120	3.05mm	01
.230	5.84mm	02
.320	8.12mm	04
.420	10.67mm	06
.530	13.46mm	08
.630	16.00mm	10
.730	18.54mm	12
.830	21.08mm	14
.930	23.62mm	16

**Packing Information**  
 TR-P = Tape and Reel with Plastic Pick and Place pad  
 TB-P = Tube with Plastic Pick and Place pad  
 TB-0 = Tube without Pick and Place Pad  
 If left blank, packaging at MLE's discretion

**Polarized Position**  
 Leave blank if not needed  
 If required, specify empty pin position, e.g. 012 for Pin 12

Horizontal

Plating Options	
T	Matte Tin all Over
H	30µ Gold on Contact Area / Matte Tin on Tail
GT	10µ Gold on Contact Area / Matte Tin on Tail
F	Gold Flash over Entire Pin

## Specifications

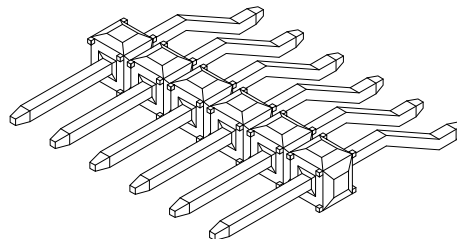
Current Rating: 3.0 Ampere  
 Insulation Resistance: 1000MΩ Min.  
 Dielectric Withstanding: 600V AC  
 Contact Resistance: 20 mΩ Max.  
 Operating Temperature: -40°C to + 105°C  
 Max. Process Temperature:  
 Peak: 260°C up to 20 secs.  
 Process: 230°C up to 60 secs.  
 Wave: 260°C up to 6 secs.  
 Reflow: 260°C up to 10 secs.  
 Manual Solder: 350°C up to 5 secs.

## Materials

Contact Material: Phosphor Bronze  
 Insulator Material: Nylon 6T  
 Plating: Au or Sn over 50µ' (1.27) Ni

## Mates with:

BCSS,  
 BSSH,  
 BSSHC,  
 BSSQ,  
 BSSQC,  
 BSSQM,  
 LBCSS,  
 LSMBC,  
 LSWSS,  
 SMBC,  
 SSHQ,  
 SSHQR,  
 SSHR,  
 SSHS,  
 SSHSM



Products cut to specific sizes are uncancellable/nonreturnable

Parts are subject to change without notice

TSHSM-1-SH SERIES

.100 cl Single Row - Horizontal  
 Terminal Strip Header - Surface Mount

31 JAN 07

Scale  
 NTS

UNLESS OTHERWISE SPECIFIED  
 DIMENSIONS IN INCHES (MM)  
 TOLERANCES ARE:

ONE PLACE DECIMALS ±.100  
 TWO PLACE DECIMALS ±.010  
 THREE PLACE DECIMALS ±.005  
 FOUR PLACE DECIMALS ±.0020  
 ANGLES  
 ±5°



4235 Earnings Way, New Albany, Indiana, 47150, USA  
 1-800-782-3486 (USA/Canada/Mexico)  
 Tel: 812-944-7244  
 Fax: 812-944-7268  
 E-mail: mle@mlelectronics.com  
 Web: www.mlelectronics.com

Edition  
 1

Sheet  
 1/1