



BA6208

LINEAR INTEGRATED CIRCUIT

REVERSIBLE MOTOR DRIVER

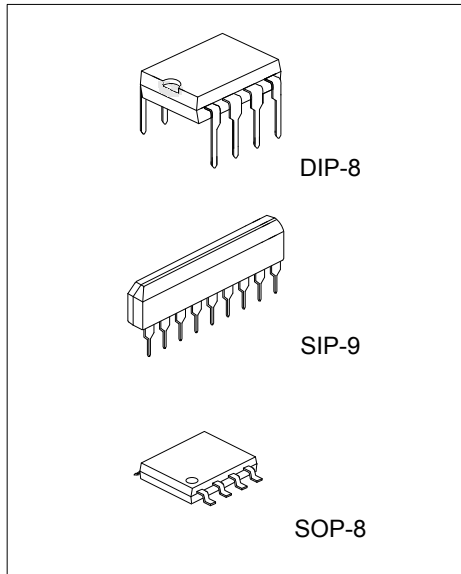
■ DESCRIPTION

The UTC BA6208 is designed for driving reversible motor use, it contain a logic section to controls forward and reverse rotations as well as forced stop, and an output power section is able to supply an output current of up to 100mA (typical) according to the logic control.

The IC allow control of reversible motors in cassette players and other electrical equipment by using TTL-level logic signals.

■ FEATURES

- * Recommended operating supply voltage range from 4.5V to15.0V.
- * Built-in motor driving power transistors(typ.100mA).
- * Brake is applied when stopping the motor (when Ain and Bin are both HIGH level).
- * Very low standby circuit current(when Ain and Bin are both LOW level.
- * Built-in diode to absorb surge currents.
- * Direct control with the TTL logic.



■ ORDERING INFORMATION

Ordering Number		Package	Packing
Lead Free	Halogen Free		
BA6208L-D08-T	BA6208G-D08-T	DIP-8	Tube
-	BA6208G-G09-T	SIP-9	Tube
-	BA6208G-S08-R	SOP-8	Tape Reel

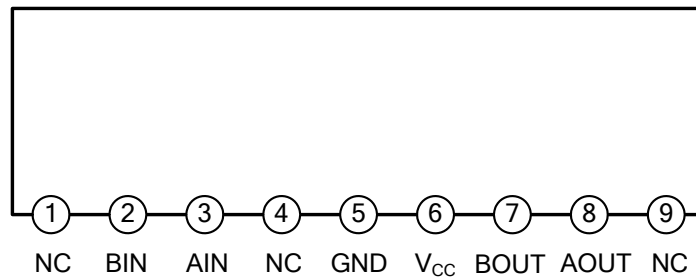
<p>BA6208L-D08-T</p> <p>(1)Packing Type (2)Package Type (3)Green Package</p>	<p>(1) T: Tube, R: Tape Reel (2) D08: DIP-8, G09: SIP-9, S08: SOP-8 (3) L: Lead Free, G: Halogen Free and Lead Free</p>
--	---

■ MARKING

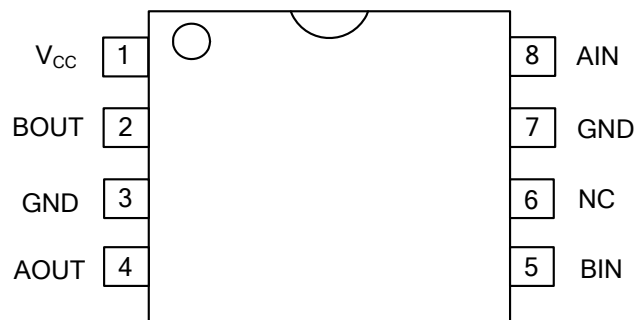
DIP-8	SIP-9	SOP-8
<p>UTC □□□□ → Date Code L: Lead Free G: Halogen Free □□ → Lot Code</p>	<p>UTC □□□□ → Data Code BA6208G □□ → Lot Code</p>	<p>UTC □□□□ → Date Code BA6208G □□ → Lot Code</p>

■ PIN CONFIGURATION

For SIP-9 Package



For SOP-8/DIP-8 Package



■ ABSOLUTE MAXIMUM RATING ($T_A=25^{\circ}\text{C}$, unless otherwise specified)

PARAMETER		SYMBOL	RATINGS	UNIT
Power Supply Voltage		V_{CC}	18	V
Maximum Output Current		$I_{OUT(MAX)}$	500	mA
Power Dissipation	DIP-8	P_D	500	mW
	SIP-9		700	mW
	SOP-8		450	mW
Operating Temperature		T_{OPR}	-20 ~ +60	$^{\circ}\text{C}$
Storage Temperature		T_{STG}	-55 ~ +125	$^{\circ}\text{C}$

Note Absolute maximum ratings are those values beyond which the device could be permanently damaged.
 Absolute maximum ratings are stress ratings only and functional device operation is not implied.

■ INPUT TRUTH TABLE

3pin (Ain)	2pin (Bin)	8pin (Aout)	7pin (Bout)
H	L	H	L
L	H	L	H
H	H	L	L
L	L	OPEN	OPEN

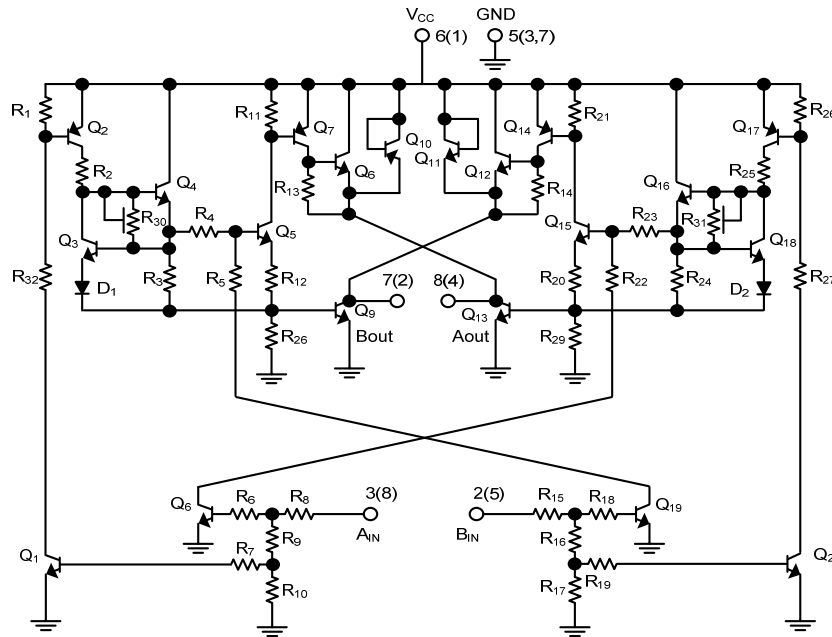
Note: HIGH level input is 2.0V or more.
 LOW level input is 0.8V or less.

■ ELECTRICAL CHARACTERISTICS ($T_A=25^{\circ}\text{C}$, $V_{CC}=9\text{V}$, unless otherwise specified)

PARAMETER	SYMBOL	TEST CONDITIONS	MIN	TYP	MAX	UNIT
Output Saturation Voltage	V_{CE}	$I_{OUT}=100\text{mA}$			1.6	V
Input Level Voltage	High	V_{IH}	2.0			V
	Low	V_{IL}			0.8	V
Output Current	I_{OUT}		200			mA
Standby Supply Current	I_{ST}	Ain=Low, Bin= Low			0.4	mA
Input High Level Current	I_{IH}	$V_{IH}=4.5\text{V}$			400	μA

Note: A diode that absorbs at least 500mA is built in to give protection against surge currents with a pulse width of 10 ms and a duty ratio of 10% or less.

■ TEST CIRCUIT



Note: () : pin number of 8 pins package.

UTC assumes no responsibility for equipment failures that result from using products at values that exceed, even momentarily, rated values (such as maximum ratings, operating condition ranges, or other parameters) listed in products specifications of any and all UTC products described or contained herein. UTC products are not designed for use in life support appliances, devices or systems where malfunction of these products can be reasonably expected to result in personal injury. Reproduction in whole or in part is prohibited without the prior written consent of the copyright owner. The information presented in this document does not form part of any quotation or contract, is believed to be accurate and reliable and may be changed without notice.