

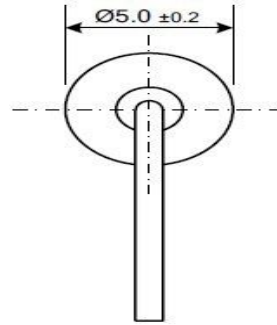
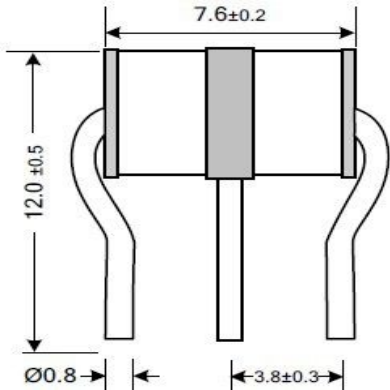


3-Electrode Gas Discharge Tubes

5KA

1: Dimension(mm)

Fast Delivery Time



2: Main Applications

- PCI Cards protection
- Telephone/Fax/Modem protection
- single line protection
- ADSL/XDSL Splitter, Power Supply
- Surge Protection Device/Surge Protector

- 100% Lead-Free (RoHS Compliant)
- Non-Radioactive
- Low capacitance ($\leq 1\text{pF}$)
- Fast Response-time, High Insulation Resistance.
- Small size : Ø5x7.6(mm)

4 Electrical Characteristics

Part Number	DC Spark-over Voltage @ 100V/S	Impulse Spark-over Voltage @100V/ μs	Impulse Spark-over Voltage @1KV/ μs	Insulation Resistance	Impulse discharge current(8 /20 μs)	AC discharge current (50Hz, 1s, 10times)	Capacitance (1MHz)
	V	V	V	G Ω	10 Times	A	PF
HA3R75A	75±20%	<500	<600	>1	5KA	5	≤ 1
HA3R90A	90±20%	<500	<600	>1	5KA	5	≤ 1
HA3R150A	150±20%	<500	<600	>1	5KA	5	≤ 1
HA3R230A	230±20%	<600	<700	>1	5KA	5	≤ 1
HA3R250A	250±20%	<600	<700	>1	5KA	5	≤ 1
HA3R300A	300±20%	<800	≤ 900	>1	5KA	5	≤ 1
HA3R350A	350±20%	<900	≤ 1000	>1	5KA	5	≤ 1
HA3R400A	400±20%	<900	≤ 1000	>1	5KA	5	≤ 1
HA3R420A	420±20%	<900	≤ 1000	>1	5KA	5	≤ 1
HA3R470A	470±20%	<1100	≤ 1200	>1	5KA	5	≤ 1
HA3R600A	600±20%	<1200	≤ 1300	>1	5KA	5	≤ 1

Packing Quantity : 100PCS

HuaXinAn Electronics

sales@huaandz.com

abc0734@126.com

Cross Reference List (Ø5x7.6mm)

HUAAN Gas Discharge Tube Part Number	Cross Reference		
	Littelfuse Gas Discharge Tube Part Number	Bourns Gas Discharge Tube Part Number	TDK EPCOS Surge Arrester Part Number
HA3R75A	-	2036-07-B2 LF	
HA3R90A	-	2036-09-B2 LF	EZ3-A90X B88069X4991B502
HA3R150A	-	2036-15-B2 LF	
HA3R230A	-	2036-23-B2 LF	EZ3-A230X B88069X5171B502
HA3R250A	-	2036-25-B2 LF	EZ3-A250X B88069X6061B502
HA3R300A	-	2036-30-B2 LF	
HA3R350A	-	2036-35-B2 LF	EZ3-A350X B88069X5191B502
HA3R400A	-	2036-40-B2 LF	
HA3R420A	-	2036-42-B2 LF	
HA3R470A	-	2036-47-B2 LF	
HA3R600A	-	2036-60-B2 LF	

The above trademarks are belonging to the HUAAN LIMITED, Littelfuse, Bourns, TDK / EPCOS.

We do not ensure characteristics of HUAAN products just same as products of Littelfuse or bourns or TDK / EPCOS.