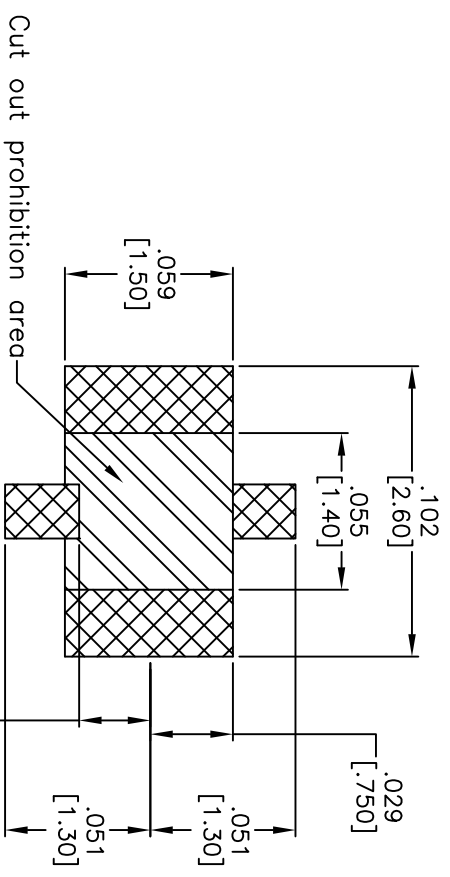
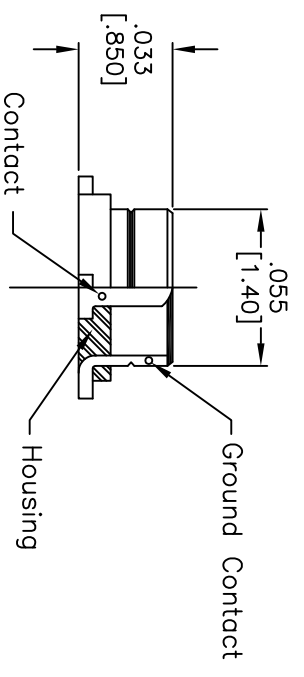
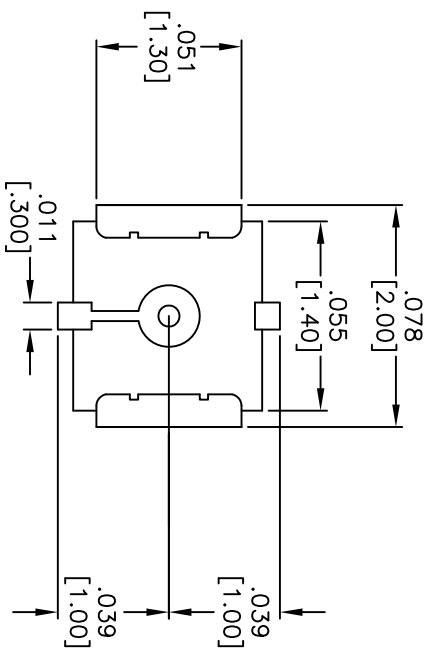
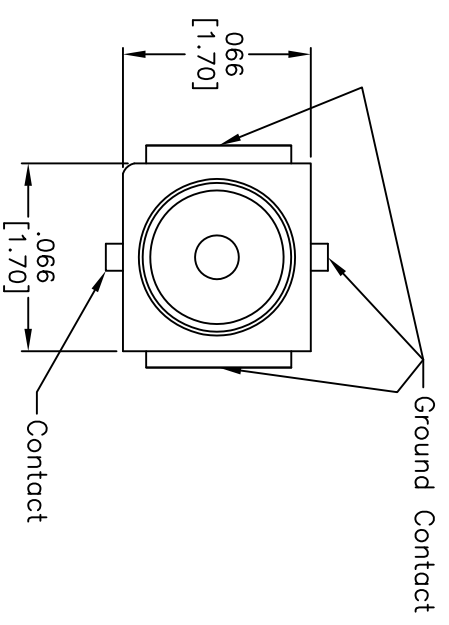


Rev	AWO #	Description	Date	Appr
-	6163	RELEASED	04/04/06	

APPROVED: _____
 DATE: _____ TITLE: _____



PACKAGED ON TAPE & REEL

GND. CONTACT	PHOSPHOR BRONZE	GOLD OVER NI
CONTACT	BRASS	GOLD OVER NI
HOUSING	LCP(GF=30%)	NATURAL
Description	Material	Finish

SPECIFICATIONS:
 Environmental:
 Lead free, RoHS compliant.
 Recommended soldering temp: 260° for 5 sec.



UNLESS OTHERWISE SPECIFIED ALL DIMENSIONS ARE MM [INCHES] TOLERANCES: EXCEPT AS NOTED	
.X INCHES	± .10
.XX INCHES	± .020
.XXX INCHES	± .015
APPROVALS	DATE
DRAWN	LFJ
CHECKED	
APPROVED	

ADAM TECH 909 Rahway Avenue, Union, NJ 07083 Phone: 908-687-5000 Fax: 908-687-0214	
TITLE	RF CONNECTOR, RECEPTACLE VERTICAL, 50 OHM, PCB MOUNT
SIZE	PART NO. RF28-01-T-00-50-G-T/R
SCALE	NTS
SHEET	1 OF 1

6 5 4 3 2 1