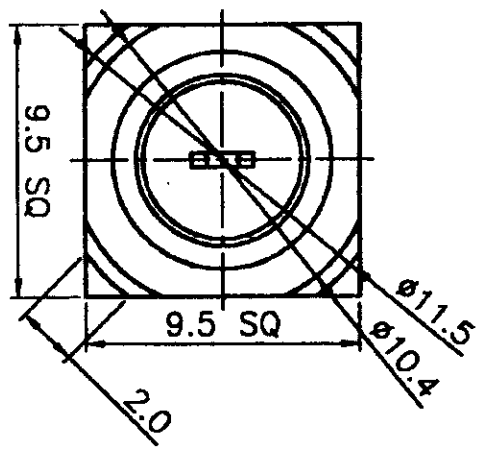
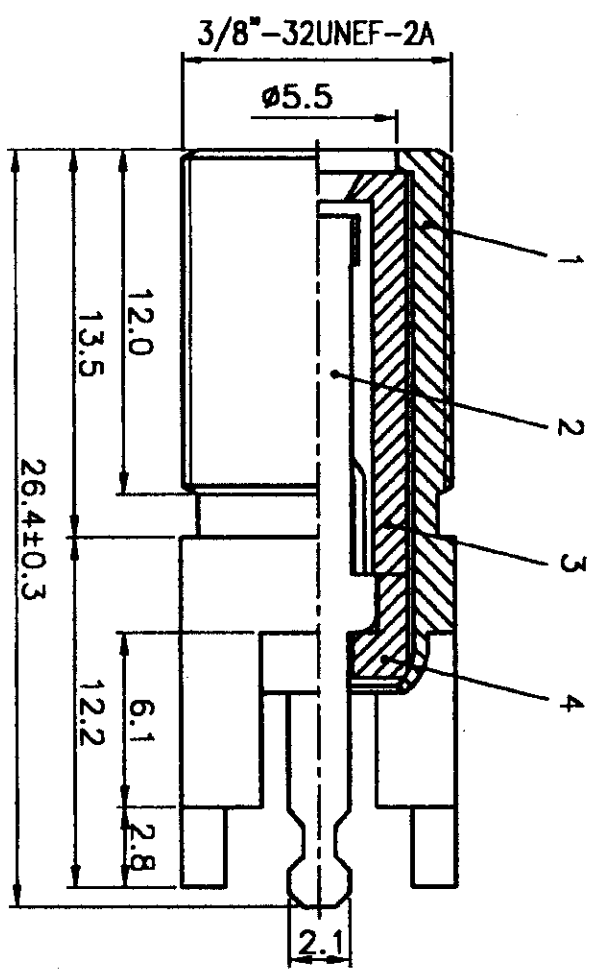


APPROVED: _____
 DATE: _____ TITLE: _____

Rev	AWO #	Description	Date	Appr
-		Released	2/17/04	



SPECIFICATIONS

- ④ Insulator: Poly Propylene, Color White.
- ③ Pin: Phosphor Bronze, Tin plated.
- ② Body: Brass, Nickel Plated
- ① Grounding Terminal: Copper, Tin plated.
- Electrical
- Nominal Impedance: 75 Ohms

ALL DIMENSIONS ARE IN INCHES TOLERANCES ARE AS NOTED UNLESS OTHERWISE SPECIFIED	
INCHES	MM
±.005	±.13
±.010	±.25
±.015	±.38
±.020	±.51
±.030	±.76
±.040	±.10
±.050	±.13
±.060	±.15
±.070	±.18
±.080	±.20
±.090	±.23
±.100	±.25
±.120	±.30
±.150	±.38
±.200	±.51
±.250	±.64
±.300	±.76
±.350	±.89
±.400	±.10
±.450	±.11
±.500	±.13
±.550	±.14
±.600	±.15
±.650	±.17
±.700	±.18
±.750	±.19
±.800	±.20
±.850	±.21
±.900	±.23
±.950	±.24
±.1000	±.25

ADAM TECH
 909 Parkway Avenue, Carter, NJ 07083
 Phone: 908-687-5800 Fax: 908-687-5713

F TYPE, FEMALE, PC MOUNT

DESIGNED	DATE
DRAWN	DATE
CHECKED	DATE
APPROVED	DATE

SIZE	PAPER	REV	SCALE	NTS	DATE	BY
X						
REF: R4-10-X-00-75		SCALE: NTS		DATE: 1/17/04		BY: [Signature]