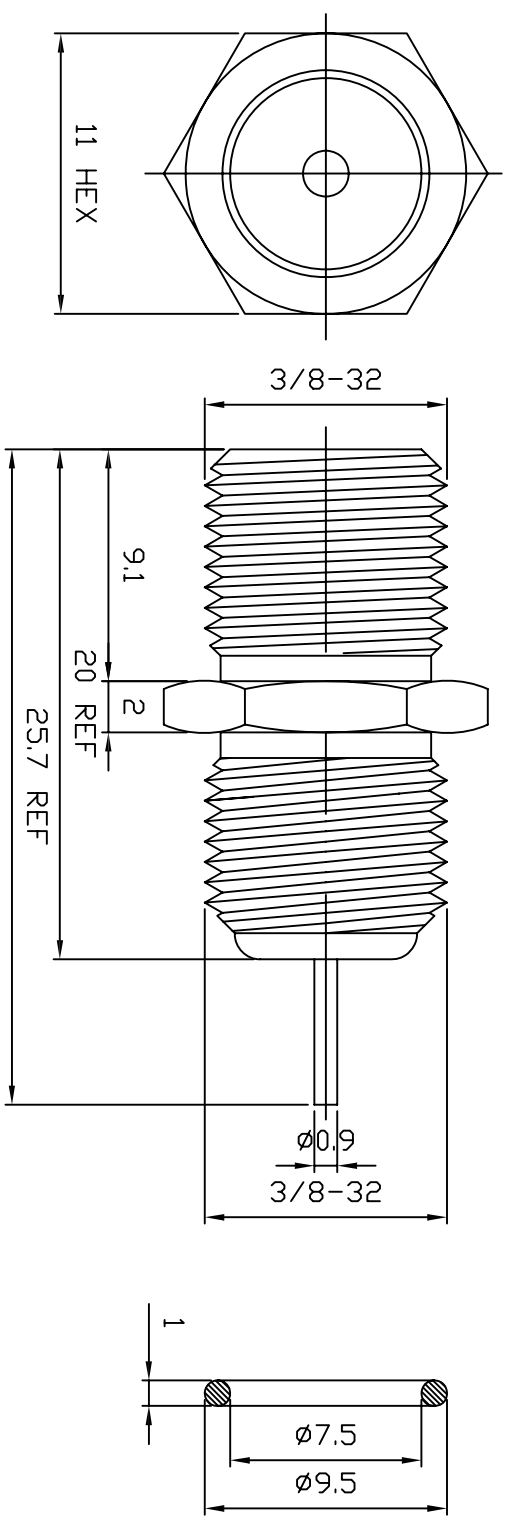


Rev	AWO #	Description	Date	Appr
-		RELEASED	3/14/06	

APPROVED: _____
 DATE: _____ TITLE: _____



NO	DESCRIPTION	MATERIAL	FINISH	QTY
6	O RING	DEL RIN	NONE	1
5	INSULATOR	DEL RIN	NONE	1
4	INSULATOR	DEL RIN	NONE	1
3	PIN	COPPER	TIN	1
2	CENTER CONTACT	PHOSPHOR	TIN	1
1	BODY	BRASS	NICKEL	1

SPECIFICATIONS:

Electrical:

Nominal Impedance: 75 ohms
 Frequency range: 0-4 GHz
 Maximum peak voltage: 500V
 Insulation resistance: 5000 Mohm min @ 500 VDC
 Dielectric withstanding voltage: 1500 VAC rms
Environmental:
 Lead free, RoHS compliant.



UNLESS OTHERWISE SPECIFIED
 ALL DIMENSIONS ARE INCHES [MM]
 TOLERANCES: EXCEPT AS NOTED
 INCHES HOLES
 .X ±.10 Ø.X ±.10
 .XX ±.020 Ø.XXX ±.015
 .XXX ±.015 Ø.XXX ±.010

APPROVALS	DATE
SS	3/14/06

DRAWN: SS
 CHECKED: _____
 APPROVED: _____

ADAM TECH
 909 Rahway Avenue, Union, NJ 07083
 Phone: 908-687-5000 Fax: 908-687-5710

TITLE: F TYPE FEMALE, BULKHEAD, 75 OHM
 DELRIN INSULATOR

SIZE	PART NO.	REV.
X	RF4-25-D-00-75	-

REF: _____ SCALE: NTS SHEET 1 OF 1