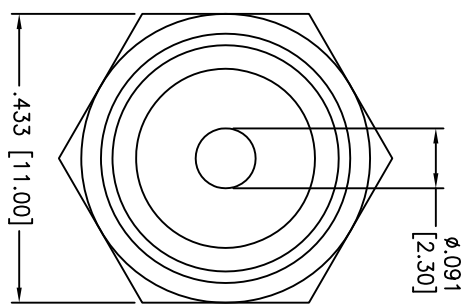
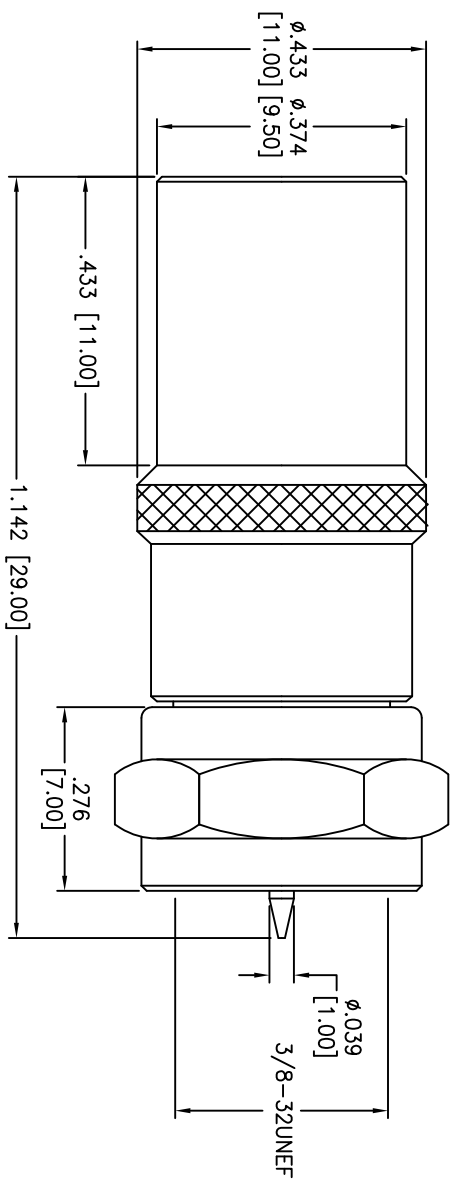


Rev	AWO #	Description	Date	Appr
-	10176	RELEASED	4/20/10	

APPROVED: _____
 DATE: _____ TITLE: _____



CENTER CONTACT	BRASS	NICKEL
NUT	ZINC	NICKEL
CONNECTION	BRASS	NICKEL
INSULATOR	POM	NONE
INSULATOR	POM	NONE
BODY	BRASS	NICKEL
DESCRIPTION	MATERIAL	FINISH



SPECIFICATIONS:

Electrical:
 Frequency range: 0-2 GHz
 Working Voltage: 250 VRMS max.
 Dielectric Withstanding Voltage: 500 VRMS min.
 Contact Resistance: 5 Milliohms max. (Center Contact)
 2 Milliohms max. (Outer Contact)
 Insulator Resistance: 1000 Megohms min.
 Environmental:
 Lead free, RoHS compliant.



UNLESS OTHERWISE SPECIFIED
 ALL DIMENSIONS ARE INCHES. [MM]
 TOLERANCES: EXCEPT AS NOTED

X	± .10	ØX	± .10
XX	± .020	ØXXX	± .015
XXX	± .015	ØXXXX	± .010

APPROVALS

DRAWN	DY	DATE	4/20/10
CHECKED			
APPROVED			

ADAM TECH
 909 Rahway Avenue, Union, NJ 07083
 Phone: 908-687-5000 Fax: 908-687-5710

TITLE	PAL MALE TO F MALE		
SIZE	PART NO.	REV.	
X	RF-40-D-AS-75	-	
REF:	S0001TT	SCALE:	NIS
		SHEET	1 OF 1

6 5 4 3 2 1