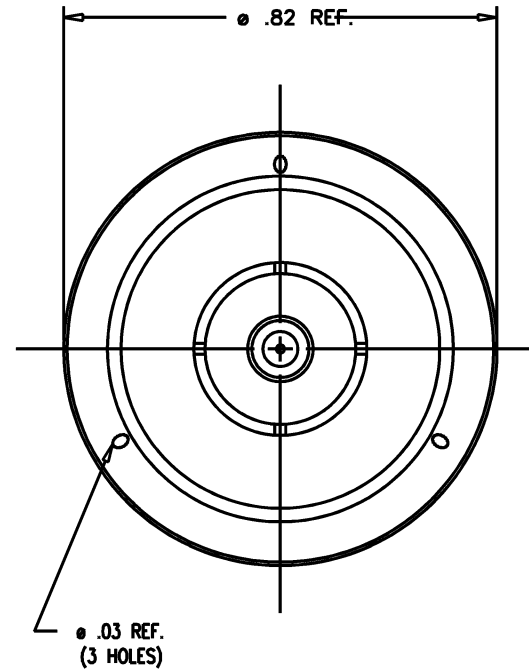
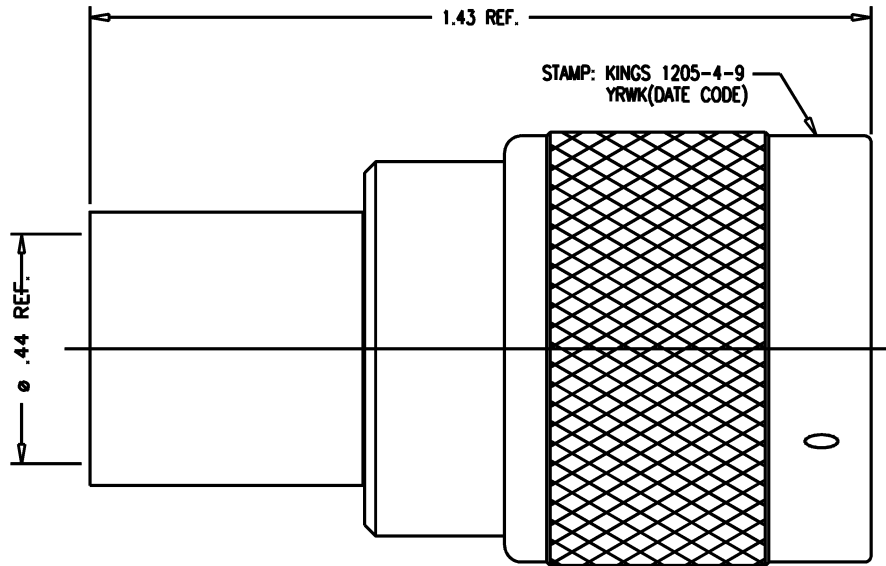


# GSD



**NOTES:**

1. FOR USE WITH BELDEN 9913 CABLE.
2. FOR CABLING INSTRUCTIONS SEE CP-480.
3. FOR CABLE TRIMMING USE KTJ-137 & KTD-138.
4. FOR CRIMPING USE DIE KTH-2135.
5. INTERFACE PER MIL-STD-348, FIG. 304-1.
6. CENTER CONTACT SUPPLIED UNASSEMBLED.
7. MATERIALS:  
 INSULATOR: TEFLON, ASTM-D4894  
 K-GRIP SLEEVE: COM. BRONZE TUBE, ASTM-B135.  
 GASKETS: SILICONE RUBBER, A-A-59588  
 OUTER CONTACT } PHOSPHOR BRONZE, ASTM-B140.  
 C-RING }  
 ALL OTHER METAL PARTS: BRASS, ASTM-B16
8. FINISHES:  
 CENTER CONTACT GOLD PLATE, ASTM-B488.  
 OUTER CONTACT SILVER PLATE, ASTM-B700.  
 ALL OTHER METAL PARTS: KINGS TARNISH RESISTANT FINISH (TR-5)
9. ELECTRICAL CHARACTERISTICS:  
 NOMINAL IMPEDANCE: 50 OHMS  
 WORKING VOLTAGE: 1000 VRMS  
 FREQUENCY RANGE: DC TO 11 GHz

1205-4-9

**REVISIONS**

ISSUE	CHANGES
3	CN 35302 C REDRAWN KH 02/18/94
4	CN 37266 C PB 13 FEB 97
5	CN 39971 C DRK 06/18/07

SCALE 4:1

APPROX SURFACE AREA

WAS: E-12343

USED ON

REF:

PLUG, N

DRAWN KH DATE 02/18/94

DESIGN LI DATE 02/22/94

APPR. DATE

A Winchester Electronics Company

1205-4-9

# GSD