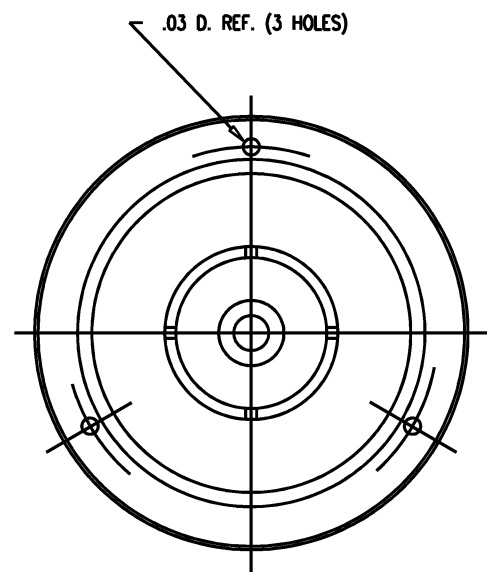
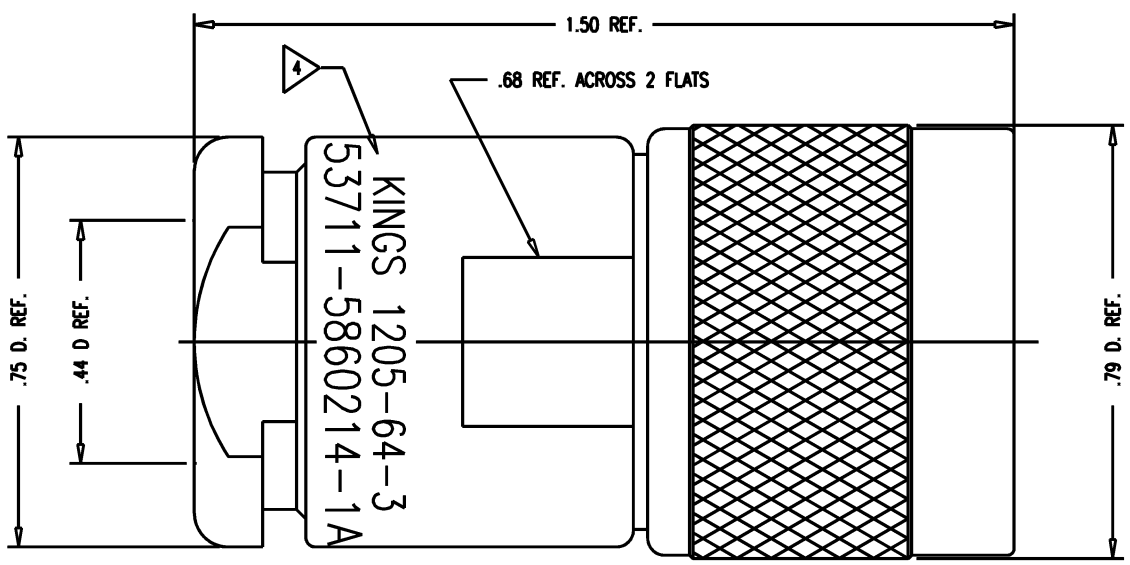


DASH NO.	M CODE	MADE FROM
----------	--------	-----------

GSD

1205-64-3

REVISIONS	
ISSUE	CHANGES
0	ER 36460 KH 07/20/95
1	CN 37491 A JW 11/18/97
2	CN 37564 C JW 02/09/98



- NOTES:**
- FOR USE WITH RG-8, 9, 213 & 214/U CABLE GROUPS.
 - FOR CABLING INSTRUCTIONS SEE CP-1016.
 - INTERFACE PER MIL-STD-348, FIG. 304-1.
 - PART MARKED WITH KINGS PART NO., CUSTOMER CAGE CODE, PART NO. AND REV LETTER.
 - MATERIALS:**
 - INSULATORS: TEFLON, ASTM-D-4894
 - WASHER: COPPER, QQ-C-576
 - GASKETS: SILICONE RUBBER, ZZ-R-765
 - COUPLING NUT } STAINLESS STEEL, TYPE 316
 - BODY } STAINLESS STEEL, TYPE 316
 - CLAMP NUT }
 - C-RING: CORROSION RESISTING STEEL PER ASM-5678
 - OUTER CONTACT: PHOSPHOR BRONZE, ASTM-B-103
 - ALL OTHER METAL PARTS: BRASS, ASTM-B16
 - FINISHES:**
 - CENTER CONTACT } HARD GOLD PLATE, PER MIL-G-45204
 - OUTER CONTACT }
 - ALL OTHER METAL PARTS: PASSIVATE PER QQ-P-35
 - ELECTRICAL CHARACTERISTICS:**
 - NOMINAL IMPEDANCE: 50 OHMS
 - WORKING VOLTAGE: 1000 VRMS
 - FREQUENCY RANGE: DC TO 11 GHz.

12056432

SCALE 4:1

APPROX SURFACE AREA

USED ON

REF: NAVSEA DWG 5860214

PLUG, N

DRAWN	KH	DATE	07/20/95
DESIGN	CT	DATE	07/25/95
APPR.	FDH	DATE	11/19/97

KINGS
ELECTRONICS CO., INC.
TUCKAHOE, NEW YORK 10707

1205-64-3

GSD