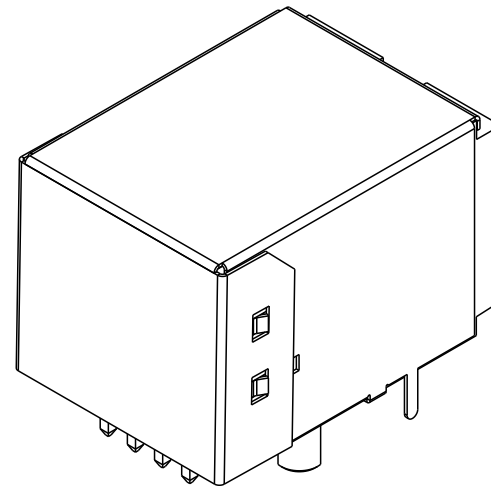
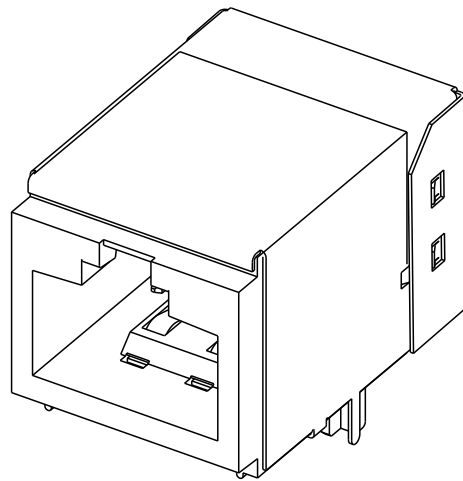


PRODUCT NUMBER
74355



Copyright FCI.

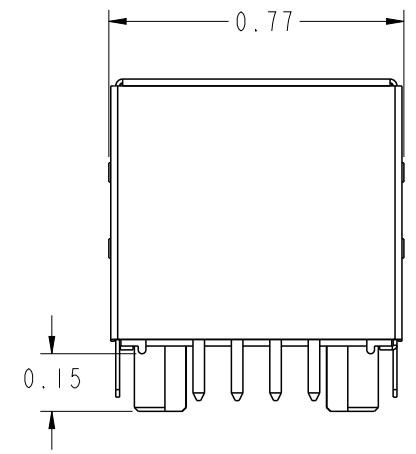
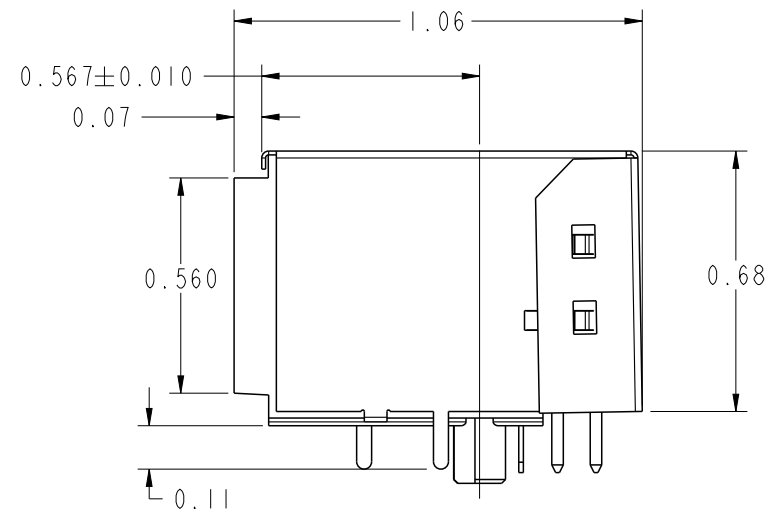
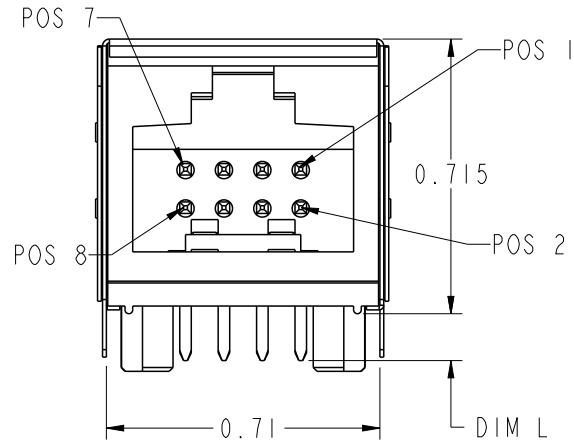
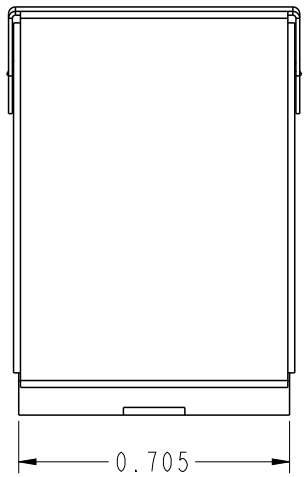
| | | | | | | | | | | | | |
|---|---------------------------------------|-------|--------|-------------|------------|------------------|----------------|----------|------------------------|----------------|----------|-----|
| spec ref | | - | | dr | Keen Wu | 2010/11/05 | projection | INCH | size | A4 | scale | 2:1 |
| tolerance std | TOLERANCES UNLESS OTHERWISE SPECIFIED | | | eng | Janmy Zhou | 2012/01/12 | | | ecn no | ELX-N-007000-1 | | |
| | ISO1101 | | | chr | - | - | | | | rel level | Released | |
| ISO406 | | | | appr | Rick Bian | 2012/01/12 | product family | - | | | | |
| surface <input checked="" type="checkbox"/> | linear | 0.X | ±.01 | | title | 2X4 LNL SHIELDED | | dwg no | 74355 | | rev | R |
| | | 0.XX | ±.005 | | | HEADER ASSEMBLY | | | | | | |
| | | 0.XXX | ±.0020 | | | cat. no. | - | | Product - Customer Drw | sheet 1 of 5 | | |
| ISO1302 | angular | 0° | ±2° | www.fci.com | | | | | | | | |

ProvE File - REV C - 2009-06-09



Copyright FCI.

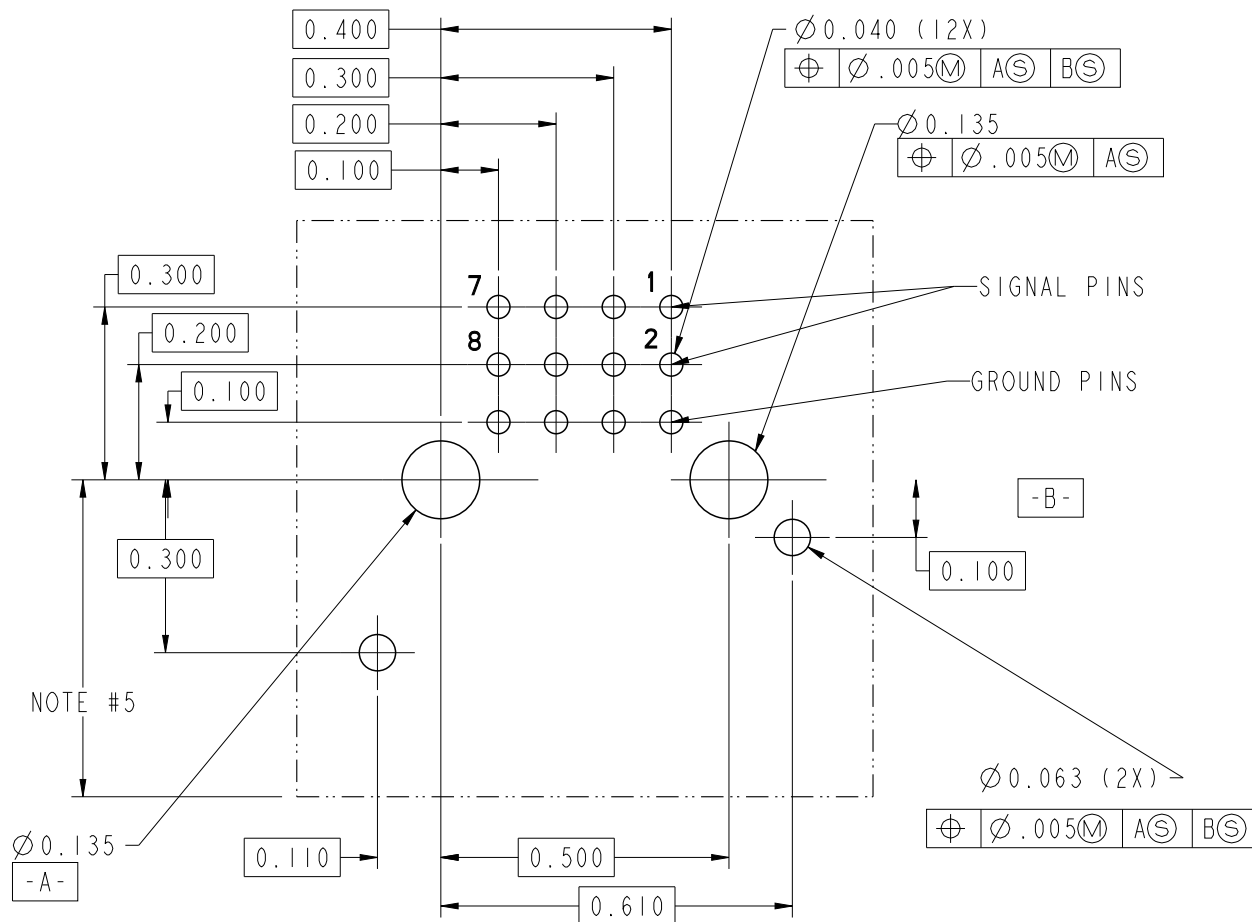
PRODUCT NUMBER
74355



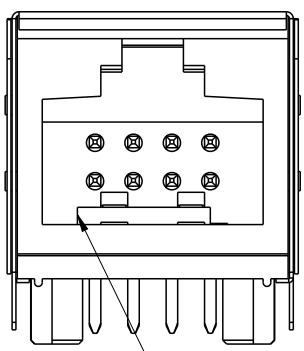
| | | | | | | | | | | | | |
|-------------------|---------|---------------------------------------|--------|-------------|------------|-------------------------------------|------------------------|--------------|-----------|----------------|-------|-----|
| spec ref | | - | | dr | Keen Wu | 2010/11/05 | projection | INCH | size | A4 | scale | 2:1 |
| tolerance std | | TOLERANCES UNLESS OTHERWISE SPECIFIED | | eng | Janmy Zhou | 2012/01/12 | | | ecn no | ELX-N-007000-1 | | |
| ISO1101 ISO406 | | | | chr | - | - | | | rel level | Released | | |
| surface | linear | 0.X | ±.01 | FCI | title | 2X4 LNL SHIELDED HEADER ASSEMBLY | | dwg no | 74355 | | rev | R |
| | | 0.XX | ±.005 | | | | | | | | | |
| | | 0.XXX | ±.0020 | | | | | | | | | |
| ISO1302 | angular | 0° | ±2° | www.fci.com | cat. no. | - | Product - Customer Drw | sheet 2 of 5 | | | | |

Prod File - REV C - 2009-06-09

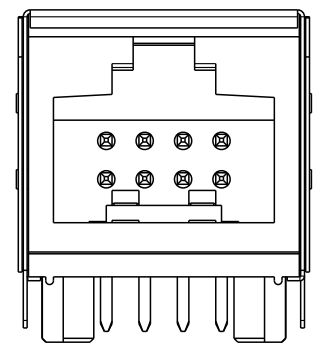
COMPONENT SIDE



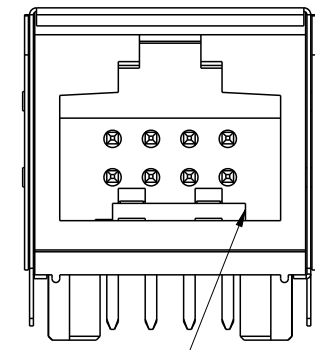
| | | | | | | | | | | | | |
|-------------------|--|---------------------------------------|------|---------------|-------------|--|---------------------|-----------------|-----------|---------------|------------------------|-----|
| spec ref | | - | | dr | Keen Wu | 2010/11/05 | projection | INCH | size | A4 | scale | 2:1 |
| tolerance std | | TOLERANCES UNLESS OTHERWISE SPECIFIED | | eng | Janmy Zhou | 2012/01/12 | | | ecn no | | ELX-N-007000-1 | |
| ISO1101 ISO406 | | | | chr | - | - | | | rel level | | Released | |
| surface | | linear | 0.X | $\pm .01$ | | title 2X4 LNL SHIELDED HEADER ASSEMBLY | product family - | dwg no 74355 | rev R | ISO1302 | | |
| | | | 0.XX | $\pm .005$ | | | | | | cat. no. - | Product - Customer Drw | |
| | | angular | 0° | $\pm 2^\circ$ | www.fci.com | | | | | | | |



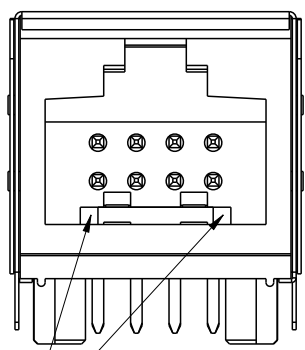
KEY POSITION 1
SCALE 2:1



NO KEY
SCALE 2:1



KEY POSITION 2
SCALE 2:1



KEY POSITION 3



Copyright FCI.

| | | | | | | | | | | | | | |
|-------------------|---------|---------------------------------------|-------|--------|-------------|------------|-------------------------------------|------------------------|-----------|----------------|-------|-----|---|
| spec ref | | - | | dr | Keen Wu | 2010/11/05 | projection | INCH | size | A4 | scale | 2:1 | |
| tolerance std | | TOLERANCES UNLESS OTHERWISE SPECIFIED | | eng | Janmy Zhou | 2012/01/12 | | | ecn no | ELX-N-007000-1 | | | |
| ISO1101 ISO406 | | | | chr | - | - | | | rel level | Released | | | |
| surface | ISO1302 | linear | 0.X | ±.01 | FCI | title | 2X4 LNL SHIELDED HEADER ASSEMBLY | | dwg no | 74355 | | rev | R |
| | | | 0.XX | ±.005 | | | | | | | | | |
| | | | 0.XXX | ±.0020 | | | | | | | | | |
| | | angular | 0° | ±2° | www.fci.com | cat. no. | - | Product - Customer Drw | | sheet 4 of 5 | | | |

PreE File - REV C - 2009-06-09

74355-XYZZLF

LEAD FREE OPTION (NOTES 9 & 10)

KEY POSITION (NOTE 7)

| | |
|------------------|----------|
| - STD NO KEY | (NOTE 8) |
| 1-KEY POSITION 1 | (NOTE 7) |
| 2-KEY POSITION 2 | (NOTE 7) |
| 3-KEY POSITION 3 | (NOTE 7) |

COLOR

| | |
|----------------|------|
| 01 LIGHT GRAY | OBS. |
| 02 OFF WHITE | |
| 03 DARK GRAY | OBS. |
| 04 BLACK | |
| 05 SLATE GRAY | OBS. |
| 07 SILVER GRAY | |
| 08 PEARL WHITE | OBS. |
| 09 PEBBLE GRAY | |

PIN LENGTH LEY (DIM L)

| | |
|---|-----------|
| 0 | .200/5.08 |
| 1 | .130/3.30 |

NOTES:

- HEADER SHROUD
MAT'L: HIGH TEMPERATURE THERMOPLASTIC
UL-94V-0 RATED.
- GROUND CONTACT
MAT'L: COPPER ALLOY
PLATING: 100-160 MICRO"/2.54-4.06 MICRON Sn.
- SIGNAL CONTACT
MAT'L: COPPER ALLOY
PLATING: PERFORMANCE PLATING WILL BE EITHER GOLD OR GXT
ON CONTACT AREA OR TAIL, OPTIONALLY (78-295u") TIN ON TAIL.
- HEADER SHIELD
MAT'L: COPPER ALLOY
PLATING: 100 MICRO"/2.54 MICRON BRIGHT
TIN OVER 50 MICRO"/1.27 MICRON NICKEL
- LOCATION DIMENSION FROM EDGE OF PCB
TO BE DETERMINED BY CUSTOMER.
- THIS ASSEMBLY IS UL RECOGNIZED PER FILE
E66906, VOL. 1, SECT 40 AND CSA
APPROVED PER MASTER FILE NO. LR 46923-162
- MUST USE PLUG OF THE SAME KEY.
KEYED PLUGS WILL MATE WITH STANDARD HEADER.
- OMIT 4th DIGIT FOR STD NO KEY PRODUCT
- ADD LF SUFFIX AT THE END OF PART NUMBER FOR LEAD FREE OPTION
AND THE HOUSING WILL WITHSTAND EXPOSURE TO 260°C PEAK TEMPERATURE
FOR 15 SECONDS IN A WAVE SOLDER APPLICATION WITH A 1.5MM
MINIMUM THICK CIRCUIT BOARD.
- THIS PRODUCT MEETS EUROPEAN UNION DIRECTIVES AND OTHER
COUNTRY REGULATION AS DESCRIBED IN GS-22-008.
- PRODUCT SPEC: gs-12-003
- PART NUMBER WITH SUFFIX "A" IS CUSTOM TO INTENDED FOR FMLB
EXAMPLE: 74355-1041ALF



Copyright FCI.

| | | | | | | | | | | | | | | | | | | | | | | | | | | | | | |
|---|------------------|--|--|------------------|-----|--------------|--|-----------------------|-------|--|-------|--------|---------|----|-----|--|--|--|--|-------|------------------|-------|-----------------|----------|---|--|--|------------------------|--------------|
| spec ref - | | dr Keen Wu 2010/11/05 | | projection | | size A4 | | scale 2:1 | | | | | | | | | | | | | | | | | | | | | |
| tolerance std ISO1101 ISO406 | | eng Janmy Zhou 2012/01/12 | | | | | | ecn no ELX-N-007000-1 | | | | | | | | | | | | | | | | | | | | | |
| TOLERANCES UNLESS OTHERWISE SPECIFIED | | chr - | | | | | | rel level Released | | | | | | | | | | | | | | | | | | | | | |
| surface <input checked="" type="checkbox"/> | | appr Rick Bian 2012/01/12 | | product family - | | dwg no 74355 | | rev R | | | | | | | | | | | | | | | | | | | | | |
| ISO1302 | | <table border="1"> <tr> <td>linear</td> <td>0.X</td> <td>±.01</td> </tr> <tr> <td></td> <td>0.XX</td> <td>±.005</td> </tr> <tr> <td></td> <td>0.XXX</td> <td>±.0020</td> </tr> <tr> <td>angular</td> <td>0°</td> <td>±2°</td> </tr> </table> | | linear | 0.X | ±.01 | | 0.XX | ±.005 | | 0.XXX | ±.0020 | angular | 0° | ±2° | | | <table border="1"> <tr> <td>title</td> <td>2X4 LNL SHIELDED</td> </tr> <tr> <td>title</td> <td>HEADER ASSEMBLY</td> </tr> <tr> <td>cat. no.</td> <td>-</td> </tr> </table> | | title | 2X4 LNL SHIELDED | title | HEADER ASSEMBLY | cat. no. | - | <table border="1"> <tr> <td>Product - Customer Drw</td> <td>sheet 5 of 5</td> </tr> </table> | | Product - Customer Drw | sheet 5 of 5 |
| linear | 0.X | ±.01 | | | | | | | | | | | | | | | | | | | | | | | | | | | |
| | 0.XX | ±.005 | | | | | | | | | | | | | | | | | | | | | | | | | | | |
| | 0.XXX | ±.0020 | | | | | | | | | | | | | | | | | | | | | | | | | | | |
| angular | 0° | ±2° | | | | | | | | | | | | | | | | | | | | | | | | | | | |
| title | 2X4 LNL SHIELDED | | | | | | | | | | | | | | | | | | | | | | | | | | | | |
| title | HEADER ASSEMBLY | | | | | | | | | | | | | | | | | | | | | | | | | | | | |
| cat. no. | - | | | | | | | | | | | | | | | | | | | | | | | | | | | | |
| Product - Customer Drw | sheet 5 of 5 | | | | | | | | | | | | | | | | | | | | | | | | | | | | |