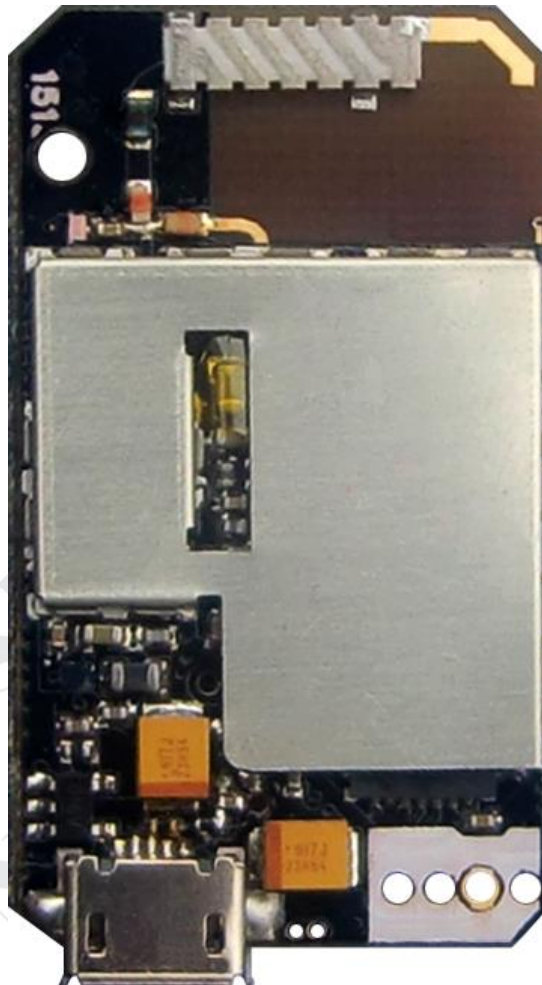

900MHz UHF RFID Module

**Version History**

Version	Date	Changes
V0.01	December 10, 2014	1st. Edition

Key Features

- Complaint with EPC C1 Gen2 / ISO 18000-6C and FCC modular approval requirements
- On-Board Antenna without extra cost
- Adjustable transmit output level control from 5 dBm to 27 dBm in 1 dB step
- Maximum tag read rate of over 100 tags per second
- Supporting Dense Reader Mode (DRM) and Listen-Before-Talk (LBT) features
- Maximum tag read distance of 4.5 feet (1.5 m)

Applications

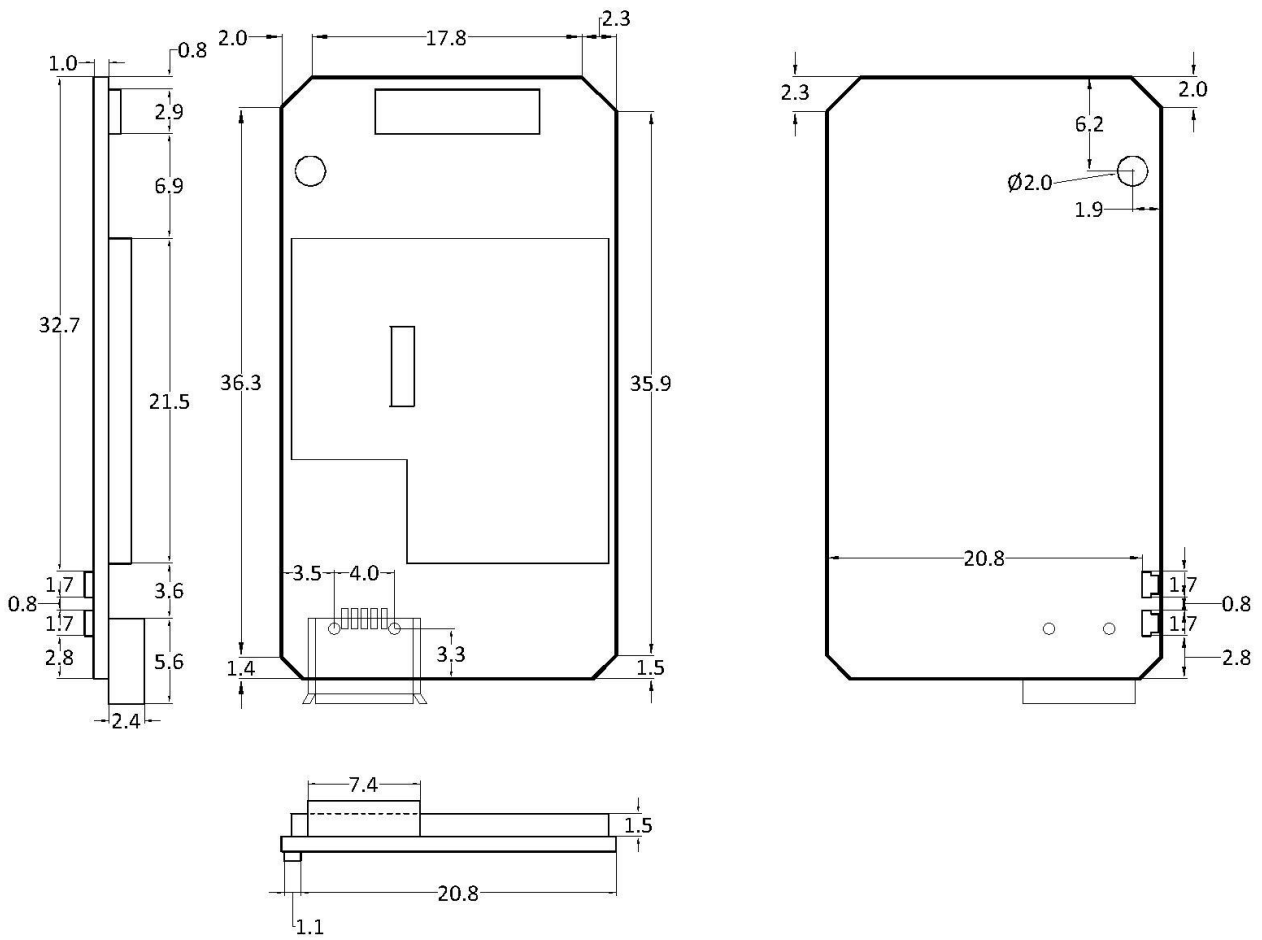
- RFID E-Tag-street parking management
- Asset management
- Library management
- Supermarket Management
- Management of firearms
- Livestock management
- RFID in manufacturing management
- UHF RFID track time application
- Apparel Management
- Jewelry management
- Logistics Management
- Livestock management

Hardware Specification

1.1 Specification

Parameter	Specification
Supply Voltage Range	VDC 3.6V~5V
Current Consumption	Scan mode: 360mA(VDC=4.2V Peak Current)
Operating frequency	902MHz~928MHz
Channel spacing	500KHz
TX power	27dBm(500mW)
Tag Read Distance	4.5 feet (1.5 m)
Tag Read Rate	Over 100 tags per second
Interface	Logic Levels 3.3V UART
Data Encoding	FM0 or Miller code
Temperature Range	Operating: -10~+60°C Storage: -30~+85°C
Dimensions	41.45 * 22.75 * 4.5 mm

1.2 View



WENSHING
Do Not Disturb