



SGM2200 High Voltage Regulators

GENERAL DESCRIPTION

The SGM2200 series is a set of low power high voltage regulators implemented in CMOS technology. These devices allow input voltages as high as 26.4V. The SGM2200 series is available in several fixed and adjustable output voltages. CMOS technology ensures low dropout voltage and low quiescent current.

Although designed primarily as fixed voltage regulators, these devices can be used with external components to obtain variable voltages and currents.

The SGM2200 series is available in Green SOT-89-3, SOT-23, TSOT-23-5 and SC70-5 packages. It operates over an ambient temperature range of -40°C to +85°C.

FEATURES

- **Low Power Consumption**
- **Low Dropout Voltage**
- **Low Temperature Coefficient**
- **High Input Voltage (up to 26.4V)**
- **Output Voltage Tolerance: $\pm 3\%$**
- **Fixed Outputs of 1.5V, 1.8V, 2.5V, 2.8V, 3.0V, 3.3V, 3.6V, 4.4V and 5.0V**
- **Adjustable Output Voltages**
- **-40°C to +85°C Operating Temperature Range**
- **Available in Green SOT-89-3, SOT-23, TSOT-23-5 and SC70-5 Packages**

APPLICATIONS

Battery-Powered Equipment
Communication Equipment
Audio/Video Equipment



PACKAGE/ORDERING INFORMATION

MODEL	ORDER NUMBER	PACKAGE DESCRIPTION	SPECIFIED TEMPERATURE RANGE	MARKING INFORMATION	PACKAGE OPTION
SGM2200-1.5	SGM2200-1.5YK3G/TR	SOT-89-3	-40°C to +85°C	SCFXX	Tape and Reel, 1000
SGM2200-1.8	SGM2200-1.8YK3G/TR	SOT-89-3	-40°C to +85°C	SD0XX	Tape and Reel, 1000
SGM2200-2.5	SGM2200-2.5YK3G/TR	SOT-89-3	-40°C to +85°C	SD1XX	Tape and Reel, 1000
SGM2200-2.8	SGM2200-2.8YK3G/TR	SOT-89-3	-40°C to +85°C	SD2XX	Tape and Reel, 1000
SGM2200-3.0	SGM2200-3.0YK3G/TR	SOT-89-3	-40°C to +85°C	SD3XX	Tape and Reel, 1000
SGM2200-3.3	SGM2200-3.3YK3G/TR	SOT-89-3	-40°C to +85°C	SB7XX	Tape and Reel, 1000
SGM2200-3.6	SGM2200-3.6YK3G/TR	SOT-89-3	-40°C to +85°C	SD4XX	Tape and Reel, 1000
SGM2200-4.4	SGM2200-4.4YK3G/TR	SOT-89-3	-40°C to +85°C	SD5XX	Tape and Reel, 1000
SGM2200-5.0	SGM2200-5.0YK3G/TR	SOT-89-3	-40°C to +85°C	SD6XX	Tape and Reel, 1000
SGM2200-1.5	SGM2200-1.5YN3LG/TR	SOT-23	-40°C to +85°C	SD7XX	Tape and Reel, 3000
SGM2200-1.8	SGM2200-1.8YN3LG/TR	SOT-23	-40°C to +85°C	SD8XX	Tape and Reel, 3000
SGM2200-2.5	SGM2200-2.5YN3LG/TR	SOT-23	-40°C to +85°C	SD9XX	Tape and Reel, 3000
SGM2200-2.8	SGM2200-2.8YN3LG/TR	SOT-23	-40°C to +85°C	SDAXX	Tape and Reel, 3000
SGM2200-3.0	SGM2200-3.0YN3LG/TR	SOT-23	-40°C to +85°C	SDBXX	Tape and Reel, 3000
SGM2200-3.3	SGM2200-3.3YN3LG/TR	SOT-23	-40°C to +85°C	SCCXX	Tape and Reel, 3000
SGM2200-3.6	SGM2200-3.6YN3LG/TR	SOT-23	-40°C to +85°C	SDCXX	Tape and Reel, 3000
SGM2200-4.4	SGM2200-4.4YN3LG/TR	SOT-23	-40°C to +85°C	SDDXX	Tape and Reel, 3000
SGM2200-5.0	SGM2200-5.0YN3LG/TR	SOT-23	-40°C to +85°C	SCDXX	Tape and Reel, 3000

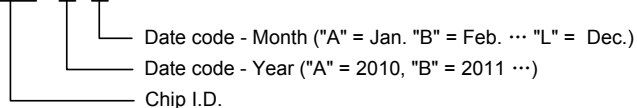
PACKAGE/ORDERING INFORMATION

MODEL	ORDER NUMBER	PACKAGE DESCRIPTION	SPECIFIED TEMPERATURE RANGE	MARKING INFORMATION	PACKAGE OPTION
SGM2200-1.5	SGM2200-1.5YTN5G/TR	TSOT-23-5	-40°C to +85°C	SDEXX	Tape and Reel, 3000
SGM2200-1.8	SGM2200-1.8YTN5G/TR	TSOT-23-5	-40°C to +85°C	SDFXX	Tape and Reel, 3000
SGM2200-2.5	SGM2200-2.5YTN5G/TR	TSOT-23-5	-40°C to +85°C	SE0XX	Tape and Reel, 3000
SGM2200-2.8	SGM2200-2.8YTN5G/TR	TSOT-23-5	-40°C to +85°C	SE1XX	Tape and Reel, 3000
SGM2200-3.0	SGM2200-3.0YTN5G/TR	TSOT-23-5	-40°C to +85°C	SE2XX	Tape and Reel, 3000
SGM2200-3.3	SGM2200-3.3YTN5G/TR	TSOT-23-5	-40°C to +85°C	SE3XX	Tape and Reel, 3000
SGM2200-3.6	SGM2200-3.6YTN5G/TR	TSOT-23-5	-40°C to +85°C	SE4XX	Tape and Reel, 3000
SGM2200-4.4	SGM2200-4.4YTN5G/TR	TSOT-23-5	-40°C to +85°C	SE5XX	Tape and Reel, 3000
SGM2200-5.0	SGM2200-5.0YTN5G/TR	TSOT-23-5	-40°C to +85°C	SE6XX	Tape and Reel, 3000
SGM2200-ADJ	SGM2200-ADJYTN5G/TR	TSOT-23-5	-40°C to +85°C	SC3XX	Tape and Reel, 3000
SGM2200-1.5	SGM2200-1.5YC5G/TR	SC70-5	-40°C to +85°C	SE7XX	Tape and Reel, 3000
SGM2200-1.8	SGM2200-1.8YC5G/TR	SC70-5	-40°C to +85°C	SE8XX	Tape and Reel, 3000
SGM2200-2.5	SGM2200-2.5YC5G/TR	SC70-5	-40°C to +85°C	SE9XX	Tape and Reel, 3000
SGM2200-2.8	SGM2200-2.8YC5G/TR	SC70-5	-40°C to +85°C	SEAXX	Tape and Reel, 3000
SGM2200-3.0	SGM2200-3.0YC5G/TR	SC70-5	-40°C to +85°C	SEBXX	Tape and Reel, 3000
SGM2200-3.3	SGM2200-3.3YC5G/TR	SC70-5	-40°C to +85°C	SECXX	Tape and Reel, 3000
SGM2200-3.6	SGM2200-3.6YC5G/TR	SC70-5	-40°C to +85°C	SEDXX	Tape and Reel, 3000
SGM2200-4.4	SGM2200-4.4YC5G/TR	SC70-5	-40°C to +85°C	SEEXX	Tape and Reel, 3000
SGM2200-5.0	SGM2200-5.0YC5G/TR	SC70-5	-40°C to +85°C	SEFXX	Tape and Reel, 3000
SGM2200-ADJ	SGM2200-ADJYC5G/TR	SC70-5	-40°C to +85°C	SF0XX	Tape and Reel, 3000

NOTE: XX = Date Code.

MARKING INFORMATION

SYX X



For example: SB7AA (2010, January)

ABSOLUTE MAXIMUM RATINGS

Supply Voltage.....	-0.3V to 32V
VOUT, FB to GND.....	-0.3V to Min(V _{IN} + 0.3V, 6V)
Power Dissipation, P _D @ T _A = 25°C	
SOT-89-3.....	0.5W
TSOT-23-5.....	0.43W
SC70-5.....	0.3W
SOT-23.....	0.28W
Package Thermal Resistance	
SOT-89-3, θ _{JA}	200°C/W
TSOT-23-5, θ _{JA}	250°C/W
SC70-5, θ _{JA}	330°C/W
SOT-23, θ _{JA}	360°C/W
Operating Temperature Range.....	-40°C to +85°C
Junction Temperature.....	150°C
Storage Temperature Range.....	-65°C to +150°C
Lead Temperature (soldering, 10s).....	260°C
ESD Susceptibility (Fixed Voltage Version)	
HBM.....	3000V
MM.....	250V
ESD Susceptibility (Adjustable Voltage Version)	
HBM.....	2000V
MM.....	200V

NOTE:

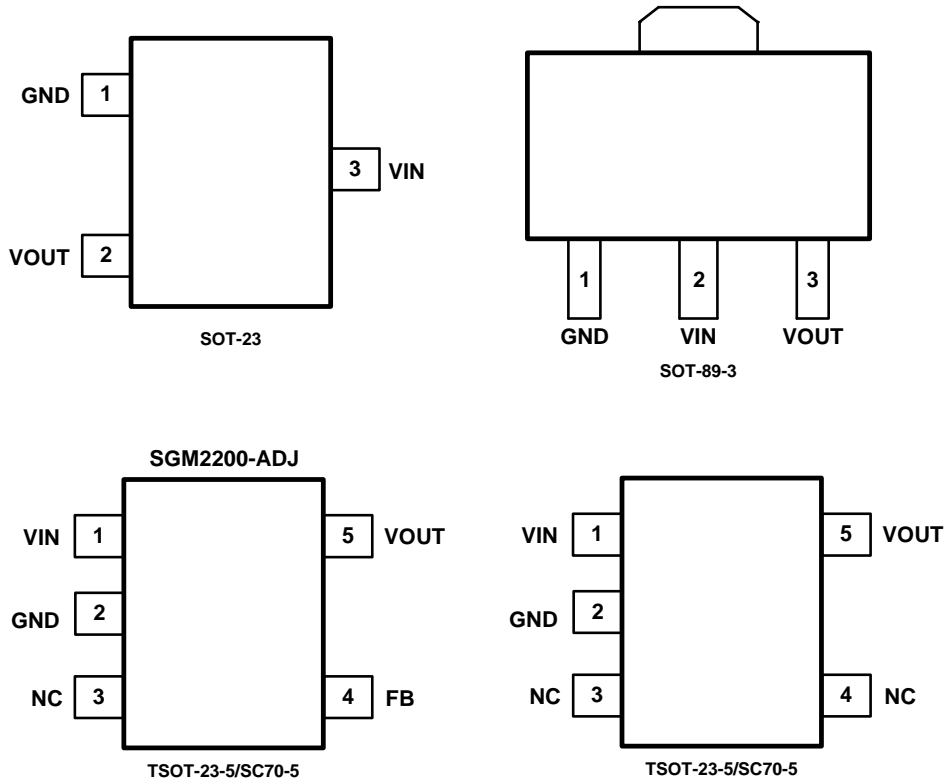
Stresses beyond those listed under “Absolute Maximum Ratings” may cause permanent damage to the device. These are stress ratings only, and functional operation of the device at these or any other conditions beyond those indicated in the operational sections of the specifications is not implied. Exposure to absolute maximum rating conditions for extended periods may affect device reliability.

CAUTION

This integrated circuit can be damaged by ESD if you don't pay attention to ESD protection. SGMICRO recommends that all integrated circuits be handled with appropriate precautions. Failure to observe proper handling and installation procedures can cause damage. ESD damage can range from subtle performance degradation to complete device failure. Precision integrated circuits may be more susceptible to damage because very small parametric changes could cause the device not to meet its published specifications.

SGMICRO reserves the right to make any change in circuit design, specification or other related things if necessary without notice at any time. Please contact SGMICRO sales office to get the latest datasheet.

PIN CONFIGURATIONS (TOP VIEW)



PIN DESCRIPTION

PIN			NAME	FUNCTION
TSOT-23-5/ SC70-5	SOT-23	SOT-89-3		
1	3	2	VIN	Regulator Input. Up to 26.4V operation voltage. At least 1μF supply bypass capacitor is recommended.
2	1	1	GND	Ground.
3	—	—	NC	No Internal Connection.
4	—	—	FB	Adjustable Voltage Version. This is used to set the output voltage of the device.
			NC	No Internal Connection. (Fixed voltage version only).
5	2	3	VOUT	Regulator Output. Recommended output capacitor range: 1μF to 10μF.

ELECTRICAL CHARACTERISTICS

SGM2200-1.5, $V_{IN} = 4V$, $T_A = +25^\circ C$, unless otherwise noted.

PARAMETER	SYMBOL	CONDITIONS	MIN	TYP	MAX	UNITS
Output Voltage	V_{OUT}	$I_{OUT} = 10mA$	1.455	1.500	1.545	V
Output Current	I_{OUT}		30	50		mA
Current Limit	I_{LIM}		55			mA
Line Regulation	$\frac{\Delta V_{OUT}}{\Delta V_{IN} \times V_{OUT}}$	$V_{IN} = 3V \text{ to } 26.4V, I_{OUT} = 1mA$		0.01		%/V
Load Regulation	ΔV_{OUT}	$I_{OUT} = 1mA \text{ to } 30mA$		0.7	10	mV
Current Consumption	I_Q	No Load		1.7	3.6	μA
Thermal Shutdown Temperature	T_{SHDN}			130		$^\circ C$
Thermal Shutdown Hysteresis	ΔT_{SHDN}			15		$^\circ C$
Temperature Coefficient	$\frac{\Delta V_{OUT}}{\Delta T_A \times V_{OUT}}$	$I_{OUT} = 10mA, -40^\circ C < T_A < +85^\circ C$		± 60		ppm/ $^\circ C$

SGM2200-1.8, $V_{IN} = 4V$, $T_A = +25^\circ C$, unless otherwise noted.

PARAMETER	SYMBOL	CONDITIONS	MIN	TYP	MAX	UNITS
Output Voltage	V_{OUT}	$I_{OUT} = 10mA$	1.746	1.800	1.854	V
Output Current	I_{OUT}		30	50		mA
Current Limit	I_{LIM}		55			mA
Line Regulation	$\frac{\Delta V_{OUT}}{\Delta V_{IN} \times V_{OUT}}$	$V_{IN} = 3V \text{ to } 26.4V, I_{OUT} = 1mA$		0.01		%/V
Load Regulation	ΔV_{OUT}	$I_{OUT} = 1mA \text{ to } 30mA$		0.9	10	mV
Current Consumption	I_Q	No Load		1.7	3.6	μA
Thermal Shutdown Temperature	T_{SHDN}			130		$^\circ C$
Thermal Shutdown Hysteresis	ΔT_{SHDN}			15		$^\circ C$
Temperature Coefficient	$\frac{\Delta V_{OUT}}{\Delta T_A \times V_{OUT}}$	$I_{OUT} = 10mA, -40^\circ C < T_A < +85^\circ C$		± 60		ppm/ $^\circ C$

SGM2200-2.5, $V_{IN} = 4.5V$, $T_A = +25^\circ C$, unless otherwise noted.

PARAMETER	SYMBOL	CONDITIONS	MIN	TYP	MAX	UNITS
Output Voltage	V_{OUT}	$I_{OUT} = 10mA$	2.425	2.500	2.575	V
Output Current	I_{OUT}		30	50		mA
Current Limit	I_{LIM}		55			mA
Line Regulation	$\frac{\Delta V_{OUT}}{\Delta V_{IN} \times V_{OUT}}$	$V_{IN} = 3.5V \text{ to } 26.4V, I_{OUT} = 1mA$		0.01		%/V
Load Regulation	ΔV_{OUT}	$I_{OUT} = 1mA \text{ to } 30mA$		1.2	10	mV
Dropout Voltage		$I_{OUT} = 1mA$		35		mV
Current Consumption	I_Q	No Load		1.75	3.8	μA
Thermal Shutdown Temperature	T_{SHDN}			130		$^\circ C$
Thermal Shutdown Hysteresis	ΔT_{SHDN}			15		$^\circ C$
Temperature Coefficient	$\frac{\Delta V_{OUT}}{\Delta T_A \times V_{OUT}}$	$I_{OUT} = 10mA, -40^\circ C < T_A < +85^\circ C$		± 60		ppm/ $^\circ C$

ELECTRICAL CHARACTERISTICS

SGM2200-2.8, $V_{IN} = 4.8V$, $T_A = +25^\circ C$, unless otherwise noted.

PARAMETER	SYMBOL	CONDITIONS	MIN	TYP	MAX	UNITS
Output Voltage	V_{OUT}	$I_{OUT} = 10mA$	2.716	2.800	2.884	V
Output Current	I_{OUT}		30	50		mA
Current Limit	I_{LIM}		55			mA
Line Regulation	$\frac{\Delta V_{OUT}}{\Delta V_{IN} \times V_{OUT}}$	$V_{IN} = 3.8V \text{ to } 26.4V, I_{OUT} = 1mA$		0.01		%/V
Load Regulation	ΔV_{OUT}	$I_{OUT} = 1mA \text{ to } 30mA$		1.5	10	mV
Dropout Voltage		$I_{OUT} = 1mA$		35		mV
Current Consumption	I_Q	No Load		1.75	3.8	μA
Thermal Shutdown Temperature	T_{SHDN}			130		$^\circ C$
Thermal Shutdown Hysteresis	ΔT_{SHDN}			15		$^\circ C$
Temperature Coefficient	$\frac{\Delta V_{OUT}}{\Delta T_A \times V_{OUT}}$	$I_{OUT} = 10mA, -40^\circ C < T_A < +85^\circ C$		± 60		ppm/ $^\circ C$

SGM2200-3.0, $V_{IN} = 5.0V$, $T_A = +25^\circ C$, unless otherwise noted.

PARAMETER	SYMBOL	CONDITIONS	MIN	TYP	MAX	UNITS
Output Voltage	V_{OUT}	$I_{OUT} = 10mA$	2.91	3.00	3.09	V
Output Current	I_{OUT}		30	50		mA
Current Limit	I_{LIM}		55			mA
Line Regulation	$\frac{\Delta V_{OUT}}{\Delta V_{IN} \times V_{OUT}}$	$V_{IN} = 4V \text{ to } 26.4V, I_{OUT} = 1mA$		0.01		%/V
Load Regulation	ΔV_{OUT}	$I_{OUT} = 1mA \text{ to } 30mA$		1.6	10	mV
Dropout Voltage		$I_{OUT} = 1mA$		35		mV
Current Consumption	I_Q	No Load		1.75	3.8	μA
Thermal Shutdown Temperature	T_{SHDN}			130		$^\circ C$
Thermal Shutdown Hysteresis	ΔT_{SHDN}			15		$^\circ C$
Temperature Coefficient	$\frac{\Delta V_{OUT}}{\Delta T_A \times V_{OUT}}$	$I_{OUT} = 10mA, -40^\circ C < T_A < +85^\circ C$		± 60		ppm/ $^\circ C$

SGM2200-3.3, $V_{IN} = 5.5V$, $T_A = +25^\circ C$, unless otherwise noted.

PARAMETER	SYMBOL	CONDITIONS	MIN	TYP	MAX	UNITS
Output Voltage	V_{OUT}	$I_{OUT} = 10mA$	3.201	3.300	3.399	V
Output Current	I_{OUT}		30	50		mA
Current Limit	I_{LIM}		55			mA
Line Regulation	$\frac{\Delta V_{OUT}}{\Delta V_{IN} \times V_{OUT}}$	$V_{IN} = 4.5V \text{ to } 26.4V, I_{OUT} = 1mA$		0.01		%/V
Load Regulation	ΔV_{OUT}	$I_{OUT} = 1mA \text{ to } 30mA$		2	10	mV
Dropout Voltage		$I_{OUT} = 1mA$		35		mV
Current Consumption	I_Q	No Load		1.75	3.8	μA
Thermal Shutdown Temperature	T_{SHDN}			130		$^\circ C$
Thermal Shutdown Hysteresis	ΔT_{SHDN}			15		$^\circ C$
Temperature Coefficient	$\frac{\Delta V_{OUT}}{\Delta T_A \times V_{OUT}}$	$I_{OUT} = 10mA, -40^\circ C < T_A < +85^\circ C$		± 60		ppm/ $^\circ C$

ELECTRICAL CHARACTERISTICS

SGM2200-3.6, $V_{IN} = 5.6V$, $T_A = +25^\circ C$, unless otherwise noted.

PARAMETER	SYMBOL	CONDITIONS	MIN	TYP	MAX	UNITS
Output Voltage	V_{OUT}	$I_{OUT} = 10mA$	3.492	3.600	3.708	V
Output Current	I_{OUT}		30	50		mA
Current Limit	I_{LIM}		55			mA
Line Regulation	$\frac{\Delta V_{OUT}}{\Delta V_{IN} \times V_{OUT}}$	$V_{IN} = 4.6V \text{ to } 26.4V, I_{OUT} = 1mA$		0.01		%/V
Load Regulation	ΔV_{OUT}	$I_{OUT} = 1mA \text{ to } 30mA$		2	10	mV
Dropout Voltage		$I_{OUT} = 1mA$		35		mV
Current Consumption	I_Q	No Load		1.75	3.8	μA
Thermal Shutdown Temperature	T_{SHDN}			130		$^\circ C$
Thermal Shutdown Hysteresis	ΔT_{SHDN}			15		$^\circ C$
Temperature Coefficient	$\frac{\Delta V_{OUT}}{\Delta T_A \times V_{OUT}}$	$I_{OUT} = 10mA, -40^\circ C < T_A < +85^\circ C$		± 60		ppm/ $^\circ C$

SGM2200-4.4, $V_{IN} = 6.4V$, $T_A = +25^\circ C$, unless otherwise noted.

PARAMETER	SYMBOL	CONDITIONS	MIN	TYP	MAX	UNITS
Output Voltage	V_{OUT}	$I_{OUT} = 10mA$	4.268	4.400	4.532	V
Output Current	I_{OUT}		30	50		mA
Current Limit	I_{LIM}		55			mA
Line Regulation	$\frac{\Delta V_{OUT}}{\Delta V_{IN} \times V_{OUT}}$	$V_{IN} = 5.4V \text{ to } 26.4V, I_{OUT} = 1mA$		0.01		%/V
Load Regulation	ΔV_{OUT}	$I_{OUT} = 1mA \text{ to } 30mA$		2.2	10	mV
Dropout Voltage		$I_{OUT} = 1mA$		35		mV
Current Consumption	I_Q	No Load		1.75	3.8	μA
Thermal Shutdown Temperature	T_{SHDN}			130		$^\circ C$
Thermal Shutdown Hysteresis	ΔT_{SHDN}			15		$^\circ C$
Temperature Coefficient	$\frac{\Delta V_{OUT}}{\Delta T_A \times V_{OUT}}$	$I_{OUT} = 10mA, -40^\circ C < T_A < +85^\circ C$		± 60		ppm/ $^\circ C$

SGM2200-5.0, $V_{IN} = 7V$, $T_A = +25^\circ C$, unless otherwise noted.

PARAMETER	SYMBOL	CONDITIONS	MIN	TYP	MAX	UNITS
Output Voltage	V_{OUT}	$I_{OUT} = 10mA$	4.85	5.00	5.15	V
Output Current	I_{OUT}		30	50		mA
Current Limit	I_{LIM}		55			mA
Line Regulation	$\frac{\Delta V_{OUT}}{\Delta V_{IN} \times V_{OUT}}$	$V_{IN} = 6V \text{ to } 26.4V, I_{OUT} = 1mA$		0.01		%/V
Load Regulation	ΔV_{OUT}	$I_{OUT} = 1mA \text{ to } 30mA$		2.4	10	mV
Dropout Voltage		$I_{OUT} = 1mA$		35		mV
Current Consumption	I_Q	No Load		1.75	3.8	μA
Thermal Shutdown Temperature	T_{SHDN}			130		$^\circ C$
Thermal Shutdown Hysteresis	ΔT_{SHDN}			15		$^\circ C$
Temperature Coefficient	$\frac{\Delta V_{OUT}}{\Delta T_A \times V_{OUT}}$	$I_{OUT} = 10mA, -40^\circ C < T_A < +85^\circ C$		± 60		ppm/ $^\circ C$

ELECTRICAL CHARACTERISTICS

SGM2200-ADJ, $V_{IN} = V_{OUT(NOMINAL)} + 2V$ or $4V$ (whichever is greater), $T_A = +25^{\circ}C$, unless otherwise noted.

PARAMETER	SYMBOL	CONDITIONS	MIN	TYP	MAX	UNITS
Adjustable Output Voltage Range	V_{OUT}		1.5		5.0	V
Output Voltage Accuracy ⁽¹⁾		$I_{OUT} = 10mA$	-3		+3	%
Output Current	I_{OUT}		30	50		mA
Current Limit	I_{LIM}		55			mA
Line Regulation	$\frac{\Delta V_{OUT}}{\Delta V_{IN} \times V_{OUT}}$	$V_{IN} = 4.6V$ to $26.4V$, $I_{OUT} = 1mA$, $V_{OUT} = 3.6V$		0.01		%/V
Load Regulation	ΔV_{OUT}	$I_{OUT} = 1mA$ to $30mA$, $V_{OUT} = 3.6V$		2	10	mV
Dropout Voltage		$I_{OUT} = 1mA$, $V_{OUT} = 3.6V$		35		mV
Current Consumption	I_Q	Ground Current		1.45	3.5	μA
Feedback Voltage	V_{FB}			1.221		V
Thermal Shutdown Temperature	T_{SHDN}			130		$^{\circ}C$
Thermal Shutdown Hysteresis	ΔT_{SHDN}			15		$^{\circ}C$
Temperature Coefficient	$\frac{\Delta V_{OUT}}{\Delta T_A \times V_{OUT}}$	$I_{OUT} = 10mA$, $-40^{\circ}C < T_A < +85^{\circ}C$		± 60		ppm/ $^{\circ}C$

NOTE:

- The accuracy of the feedback resistors used in Figure 2, has a direct impact on the output voltage accuracy.

TYPICAL APPLICATION CIRCUITS

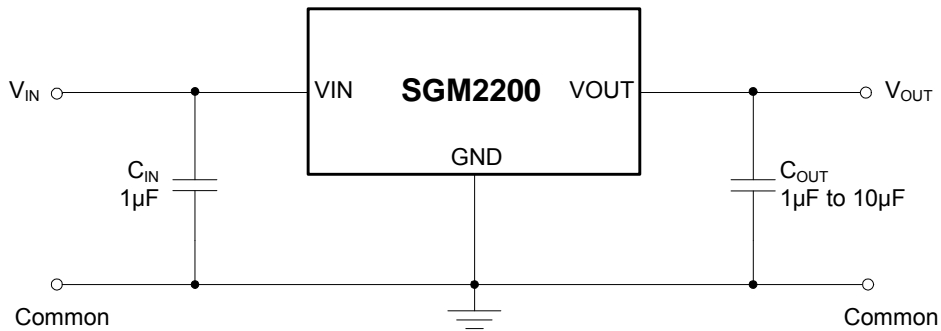


Figure 1. Fixed Voltage Typical Application Circuit

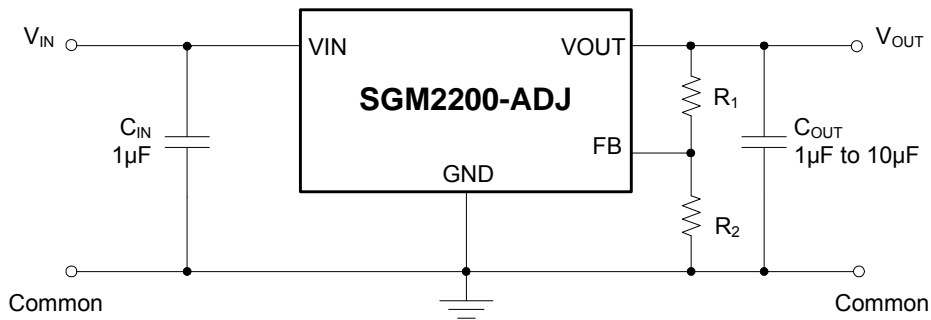


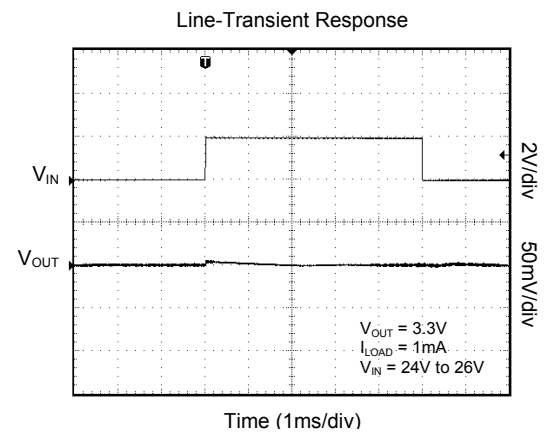
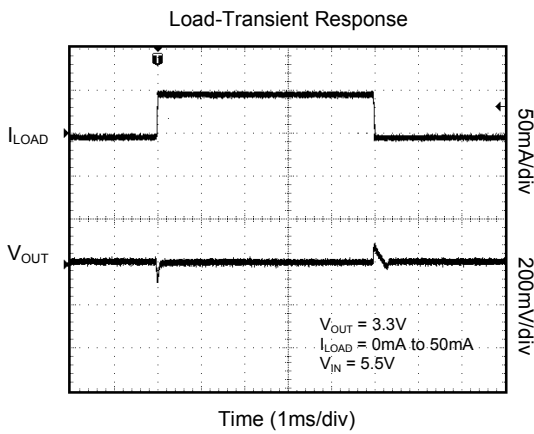
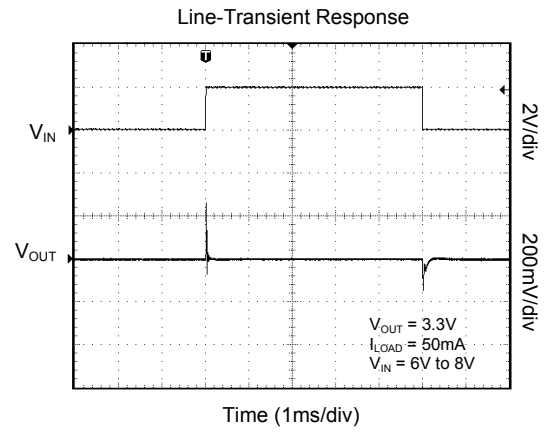
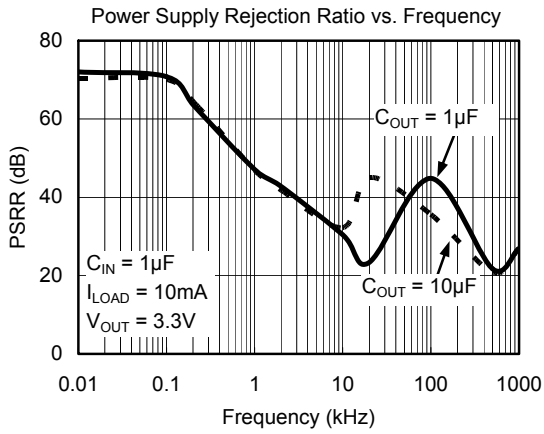
Figure 2. Adjustable Voltage Typical Application Circuit

Standard 1% Resistor Values for Common Output Voltages of Adjustable Voltage Version

V _{OUT} (V)	R ₁ (kΩ)	R ₂ (kΩ)
1.5	120	523
1.8	280	590
2.5	680	649
3.3	953	560
3.6	1000	511
4.4	1500	576
5.0	2000	649

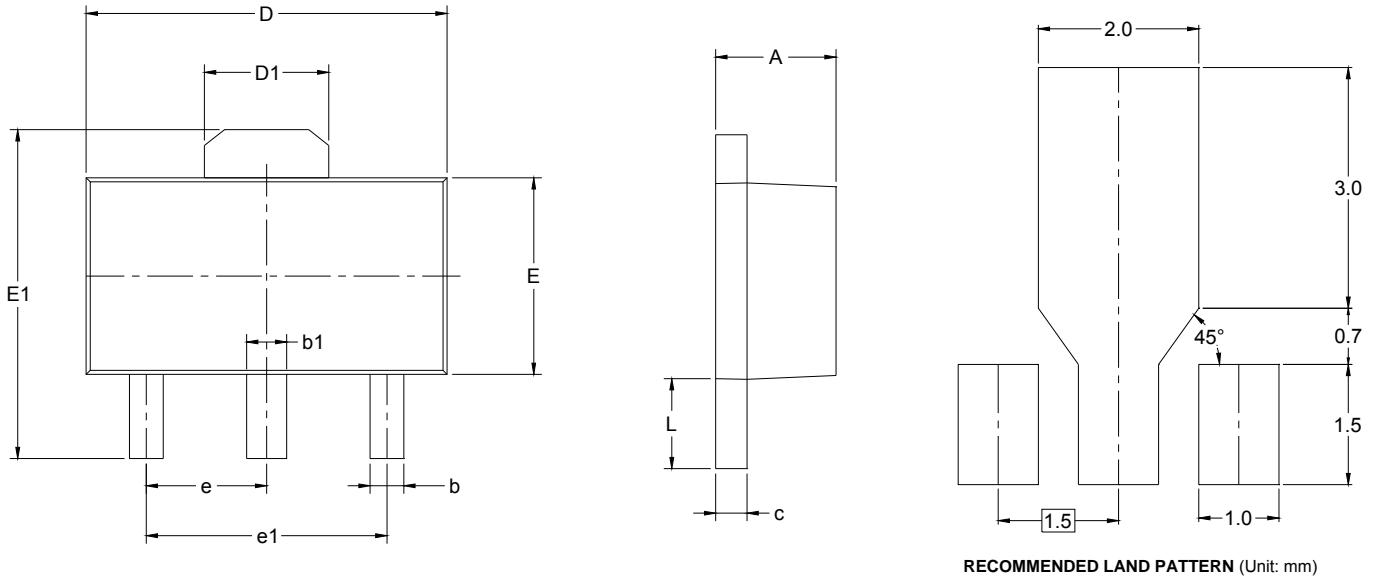
NOTE: $V_{OUT} = (R_1 + R_2)/R_2 \times 1.221$

TYPICAL PERFORMANCE CHARACTERISTICS



PACKAGE OUTLINE DIMENSIONS

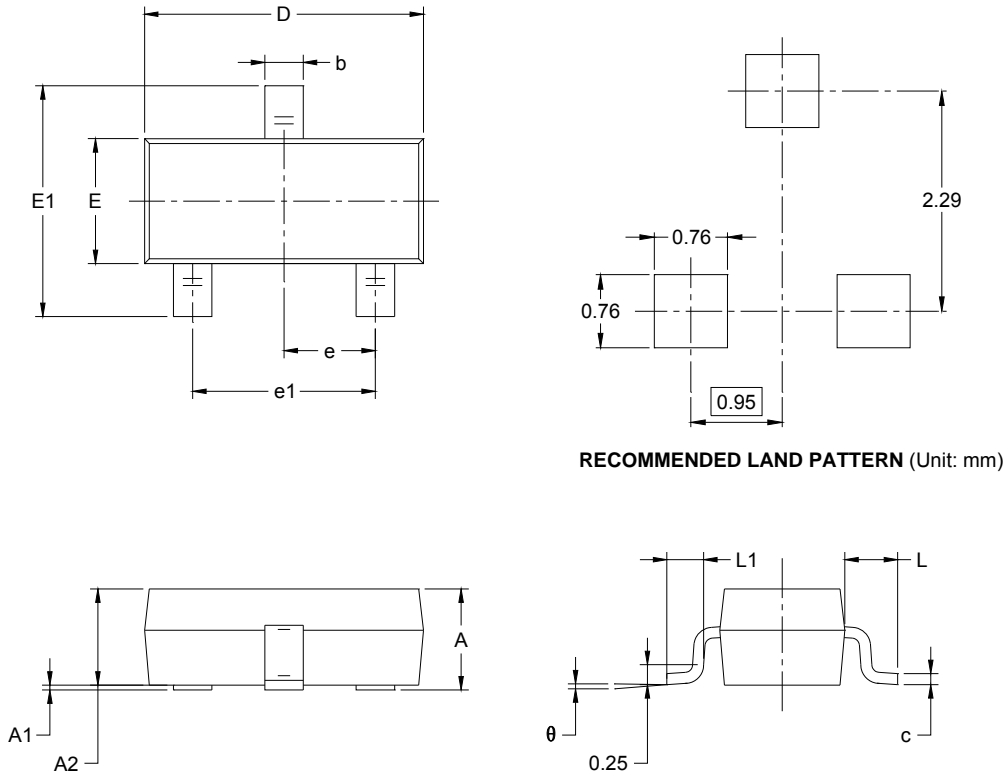
SOT-89-3



Symbol	Dimensions In Millimeters		Dimensions In Inches	
	MIN	MAX	MIN	MAX
A	1.400	1.600	0.055	0.063
b	0.320	0.520	0.013	0.020
b1	0.400	0.580	0.016	0.023
c	0.350	0.440	0.014	0.017
D	4.400	4.600	0.173	0.181
D1	1.550 REF		0.061 REF	
E	2.300	2.600	0.091	0.102
E1	3.940	4.250	0.155	0.167
e	1.500 TYP		0.060 TYP	
e1	3.000 TYP		0.118 TYP	
L	0.900	1.200	0.035	0.047

PACKAGE OUTLINE DIMENSIONS

SOT-23

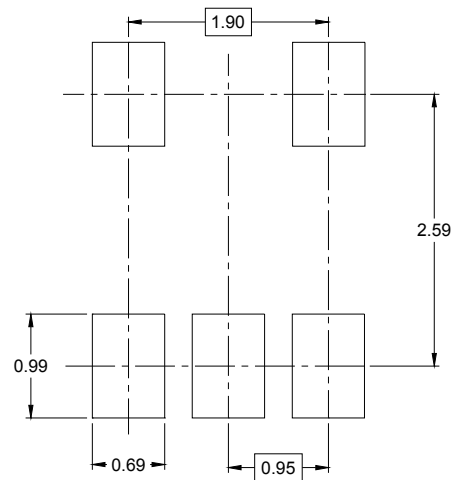
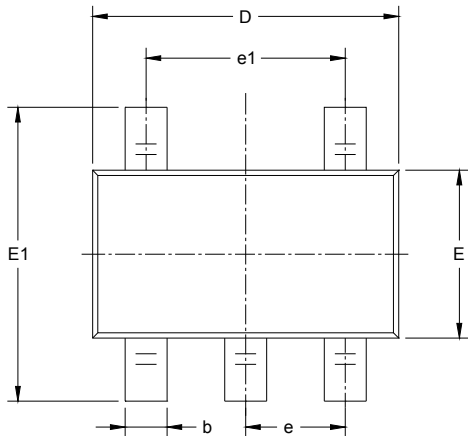


RECOMMENDED LAND PATTERN (Unit: mm)

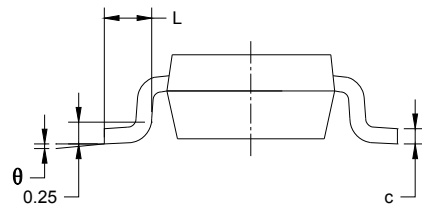
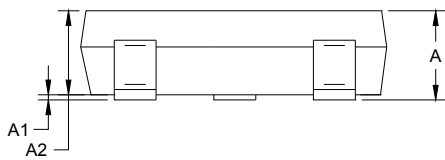
Symbol	Dimensions In Millimeters		Dimensions In Inches	
	MIN	MAX	MIN	MAX
A	0.900	1.150	0.035	0.045
A1	0.000	0.100	0.000	0.004
A2	0.900	1.050	0.035	0.041
b	0.300	0.500	0.012	0.020
c	0.080	0.150	0.003	0.006
D	2.800	3.000	0.110	0.118
E	1.200	1.400	0.047	0.055
E1	2.250	2.550	0.089	0.100
e	0.950 BSC		0.037 BSC	
e1	1.900 BSC		0.075 BSC	
L	0.550 REF		0.022 REF	
L1	0.300	0.500	0.012	0.020
θ	0°	8°	0°	8°

PACKAGE OUTLINE DIMENSIONS

TSOT-23-5



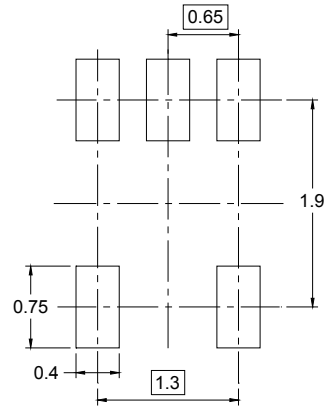
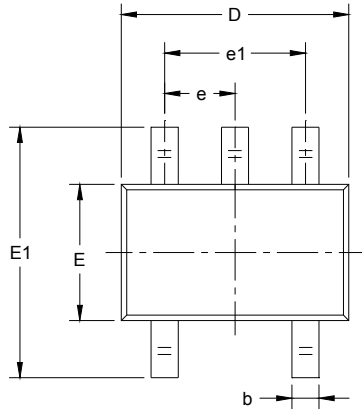
RECOMMENDED LAND PATTERN (Unit: mm)



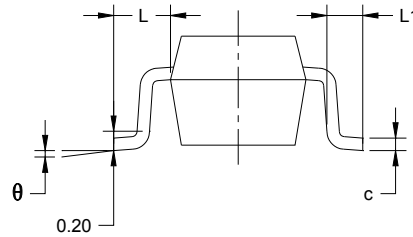
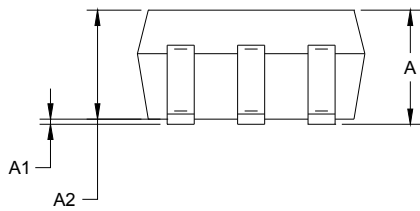
Symbol	Dimensions In Millimeters		Dimensions In Inches	
	MIN	MAX	MIN	MAX
A	0.700	0.900	0.028	0.035
A1	0.000	0.100	0.000	0.004
A2	0.700	0.800	0.028	0.031
b	0.350	0.500	0.014	0.020
c	0.080	0.200	0.003	0.008
D	2.820	3.020	0.111	0.119
E	1.600	1.700	0.063	0.067
E1	2.650	2.950	0.104	0.116
e	0.950 BSC		0.037 BSC	
e1	1.900 BSC		0.075 BSC	
L	0.300	0.600	0.012	0.024
θ	0°	8°	0°	8°

PACKAGE OUTLINE DIMENSIONS

SC70-5



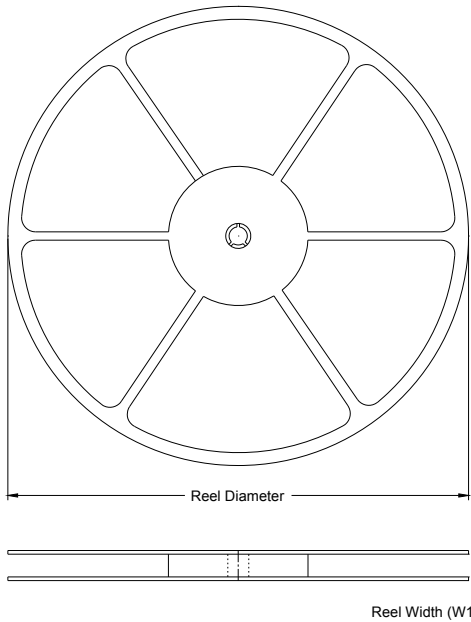
RECOMMENDED LAND PATTERN (Unit: mm)



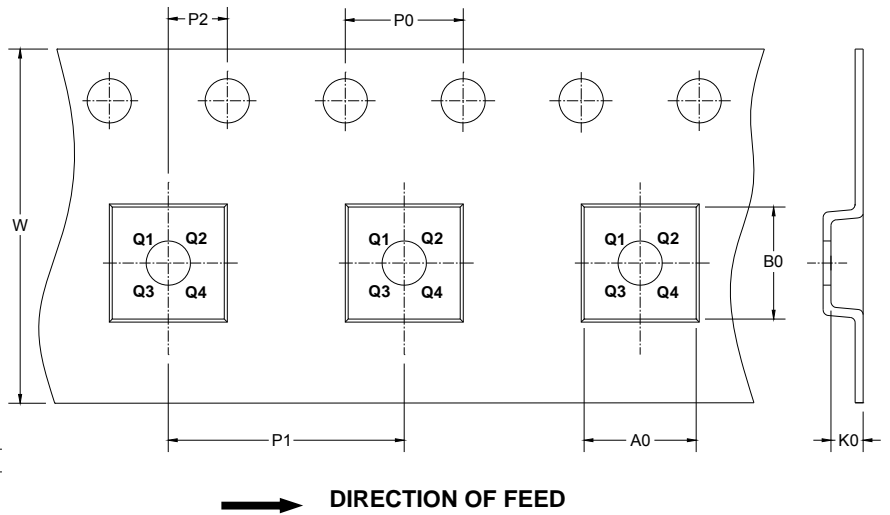
Symbol	Dimensions In Millimeters		Dimensions In Inches	
	MIN	MAX	MIN	MAX
A	0.900	1.100	0.035	0.043
A1	0.000	0.100	0.000	0.004
A2	0.900	1.000	0.035	0.039
b	0.150	0.350	0.006	0.014
c	0.080	0.150	0.003	0.006
D	2.000	2.200	0.079	0.087
E	1.150	1.350	0.045	0.053
E1	2.150	2.450	0.085	0.096
e	0.65 TYP		0.026 TYP	
e1	1.300 BSC		0.051 BSC	
L	0.525 REF		0.021 REF	
L1	0.260	0.460	0.010	0.018
θ	0°	8°	0°	8°

TAPE AND REEL INFORMATION

REEL DIMENSIONS



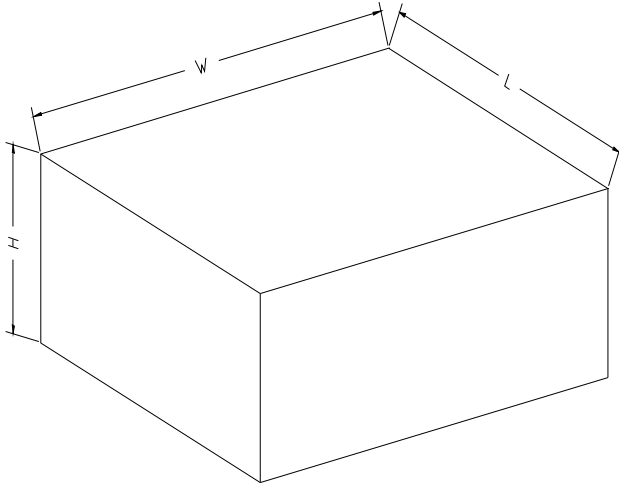
TAPE DIMENSIONS



NOTE: The picture is only for reference. Please make the object as the standard.

KEY PARAMETER LIST OF TAPE AND REEL

Package Type	Reel Diameter	Reel Width W1 (mm)	A0 (mm)	B0 (mm)	K0 (mm)	P0 (mm)	P1 (mm)	P2 (mm)	W (mm)	Pin1 Quadrant
SOT-89-3	7"	13.2	4.85	4.45	1.85	4.0	8.0	2.0	12.0	Q3
SOT-23	7"	9.5	3.15	2.77	1.22	4.0	4.0	2.0	8.0	Q3
TSOT-23-5	7"	9.5	3.17	3.1	1.10	4.0	4.0	2.0	8.0	Q3
SC70-5	7"	9.5	2.25	2.55	1.20	4.0	4.0	2.0	8.0	Q3

CARTON BOX DIMENSIONS

NOTE: The picture is only for reference. Please make the object as the standard.

KEY PARAMETER LIST OF CARTON BOX

Reel Type	Length (mm)	Width (mm)	Height (mm)	Pizza/Carton
7" (Option)	368	227	224	8
7"	442	410	224	18