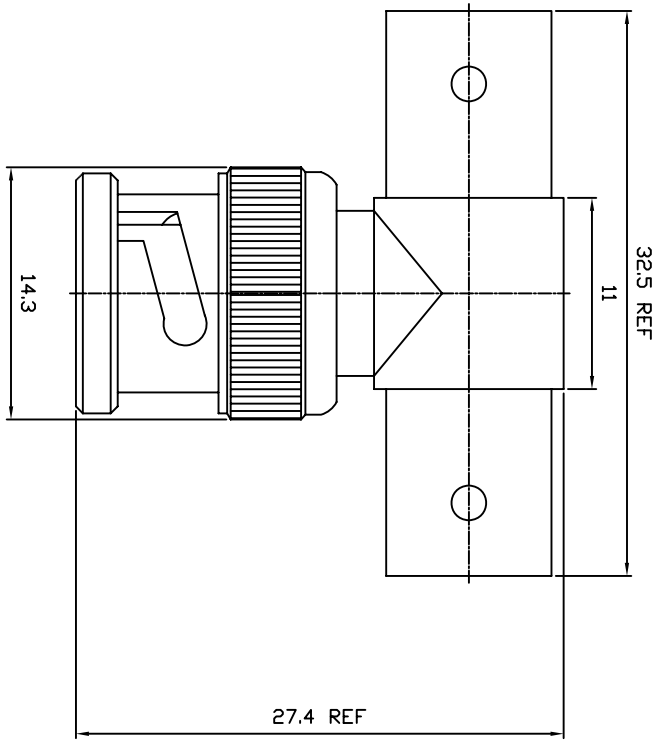


Rev	AWO #	Description	Date	Appr
-		RELEASED	2/14/06	

APPROVED: _____
 DATE: _____ TITLE: _____



NO	DESCRIPTION	MATERIAL	FINISH	QTY
11	GASKET	RUBBER	RED	1
10	WASGWR	IRON	NICKEL	1
9	SPRING	SK-5	NICKEL	1
8	WASGWR	IRON	NICKEL	1
7	INSULATOR	DELIRIN	WHITE	1
6	PIN	BRASS	GOLD	1
5	WASHER	IRON	NICKEL	1
4	INSULATOR	DELIRIN	WHITE	1
3	PIN	BRASS	GOLD	1
2	BDDY	ZINC	NICKEL	1
1	SHELL	ZINC	NICKEL	1

UNLESS OTHERWISE SPECIFIED
 ALL DIMENSIONS ARE INCHES [MM]
 TOLERANCES: EXCEPT AS NOTED

INCHES	HOLES
.X ± .10	Ø.X ± .10
.XX ± .020	Ø.XX ± .015
.XXX ± .015	Ø.XXX ± .010

APPROVALS

DATE	DATE
2/14/06	

DRAWN SS
 CHECKED
 APPROVED

ADAM TECH
 909 Rahway Avenue, Union, NJ 07083
 Phone: 908-687-5000 Fax: 908-687-5710

TITLE: BNC MALE TO DOUBLE BNC FEMALE
 50 DHM
 SIZE: PART NO.: RF-1-05-D-XX-50
 REF: _____

ELECTRICAL:
 Frequency range: 0-4 GHz
 Voltage rating: 500 Volts AC
 VSWR: 1.2 max 0-2 GHz
 Impedance: 50 OHMS
 Environmental:
 Lead free, RoHS compliant.

