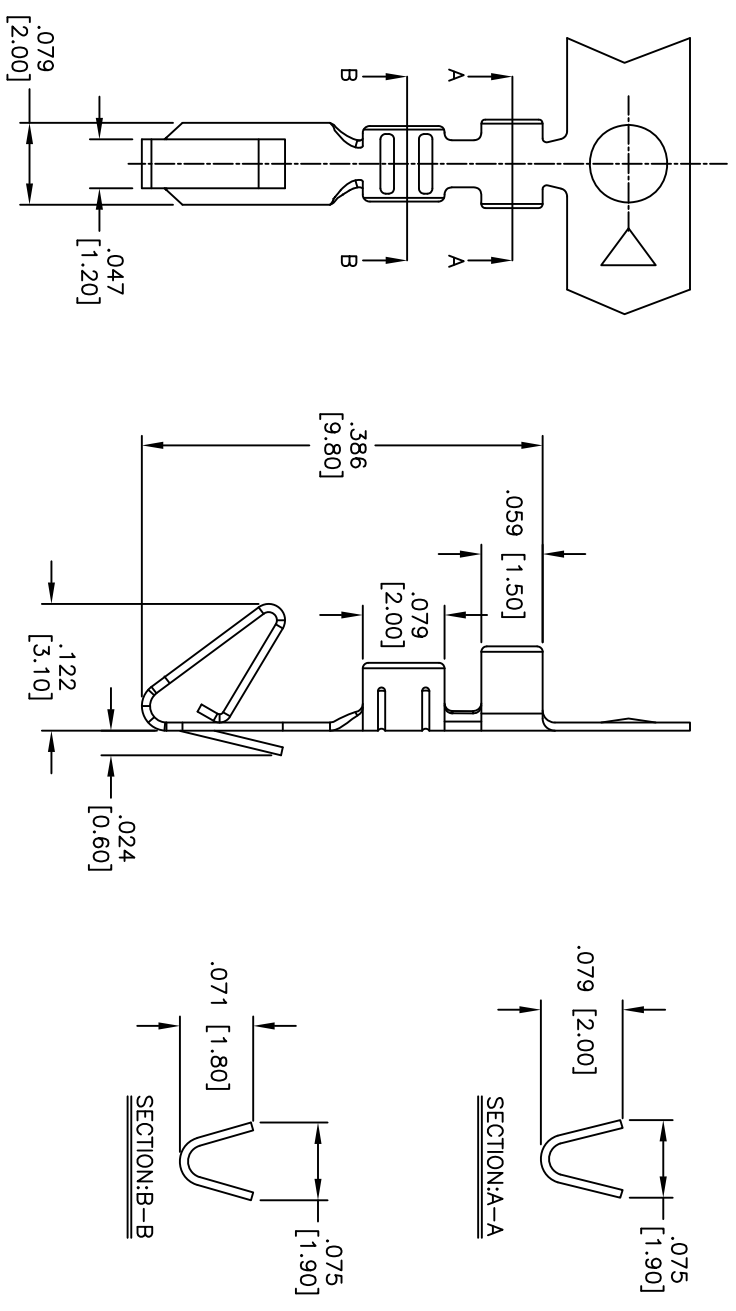


APPROVED: _____
 DATE: _____ TITLE: _____

Rev	AWO #	Description	Date	Appr
-		RELEASED	4/8/05	
A		REDRAWN	10/20/09	



SPECIFICATIONS:
 Material: _____
 Contact: Brass
 Plating: _____
 Tin over Copper underplate overall
 Electrical: _____
 Wire range: 22-28 AWG
 Voltage rating: 250V AC,DC
 Current rating: 2.5 Amps max
 Contact resistance: 20 mohms max
 Insulation resistance: 1000 mohms min
 Dielectric withstanding voltage: 1,000 VAC for 1 minute
 Temperature Rating: _____
 Operating temperature: -25°C to +85°C
 Packaging: _____
 B = 1,000 pieces loose cut
 R = 10,000 pieces on reel
 Environmental: _____
 Lead free, RoHS compliant

UNLESS OTHERWISE SPECIFIED ALL DIMENSIONS ARE INCHES [MM]	
TOLERANCES: EXCEPT AS NOTED	HOLDS
.X ± .10	ØX ± .10
.XX ± .020	ØXXX ± .015
.XXX ± .015	ØXXX ± .010
APPROVALS:	DATE
DRAWN	SS
CHECKED	
APPROVED	

ADAM TECH
 909 Rahway Avenue, Union, NJ 07083
 Phone: 908-687-5000 Fax: 908-687-5710

TITLE: **CRIMP CONTACT**

SIZE	PART NO.	SCALE	SHEET
X	MTS-C-X	NTS	1 OF 1
REV.			
A			