

## Low Capacitance TVS Diode Array

### APPLICATIONS

- ◆ Video On-Demand
- ◆ ISDN Telecom Interface
- ◆ STS-1 Interfaces
- ◆ LAN Interconnects
- ◆ ISDN U-Interfaces
- ◆ 10/100 Ethernet

### IEC COMPATIBILITY

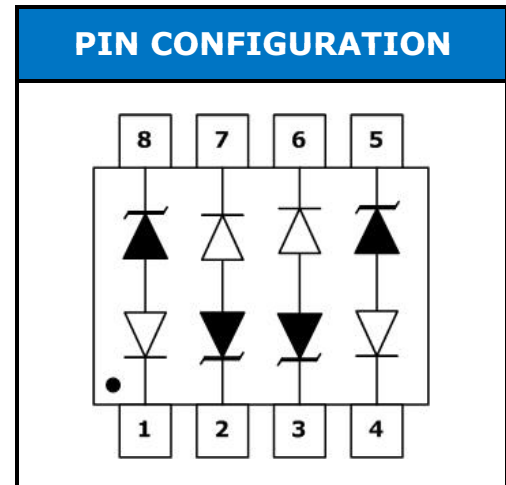
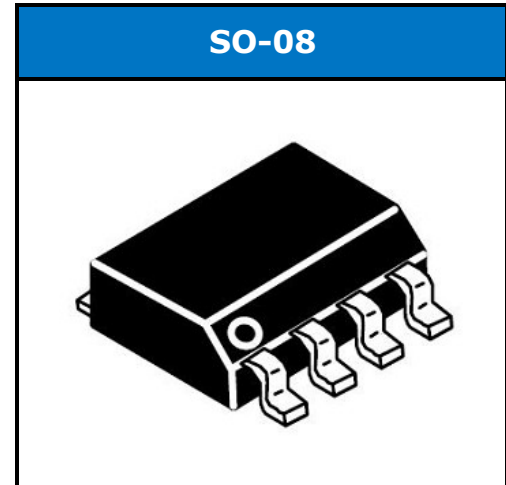
- ◆ IEC61000-4-2 (ESD)  $\pm 15\text{kV}$  (air),  $\pm 8\text{kV}$  (contact)
- ◆ IEC61000-4-4 (EFT) 40A (5/50  $\eta$  s)
- ◆ IEC61000-4-5 (Lightning) 24A (8/20 $\mu$ s)

### FEATURES

- ◆ 800 Watts Peak Pulse Power per Line ( $t_p=8/20\mu\text{s}$ )
- ◆ Protects two lines in common and differential mode
- ◆ Low capacitance for high-speed interfaces
- ◆ Low clamping and operating voltage
- ◆ RoHS Compliant

### MECHANICAL CHARACTERISTICS

- ◆ JEDEC SO-08 Package
- ◆ Molding Compound Flammability Rating : UL 94V-0
- ◆ Weight 70 Milligrams (Approximate)
- ◆ Quantity Per Reel : 500pcs
- ◆ Reel Size : 7 inch
- ◆ Lead Finish : Lead Free



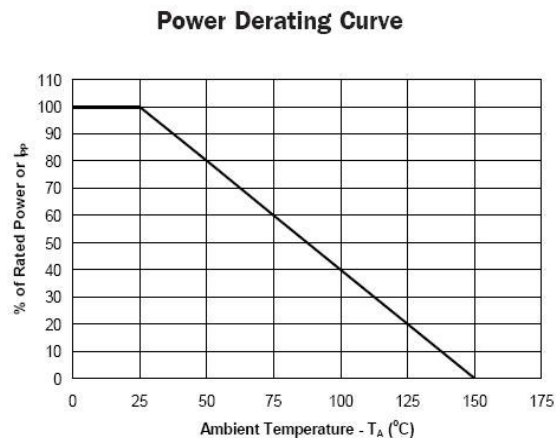
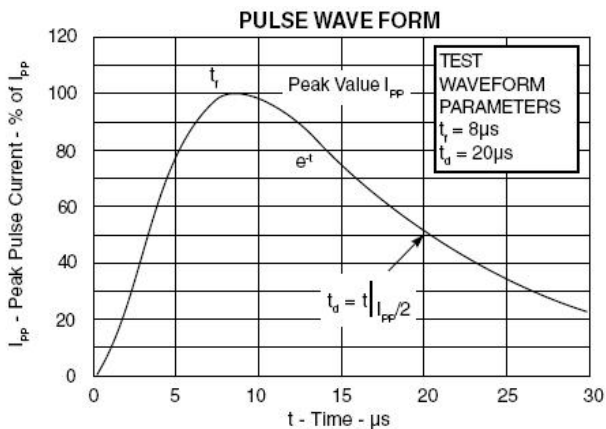
## DEVICE CHARACTERISTICS

### MAXIMUM RATINGS (@ 25°C Unless Otherwise Specified)

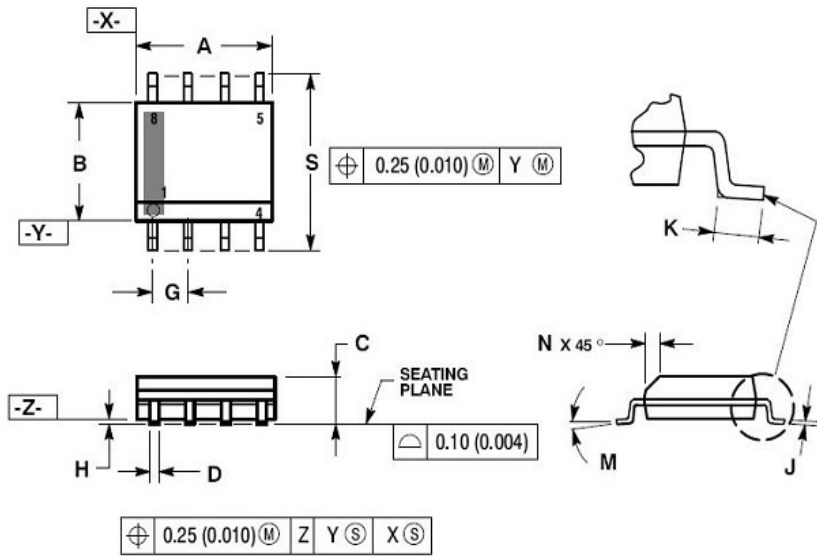
PARAMETER	SYMBOL	VALUE	UNITS
Peak Pulse Power (tp=8/20μs waveform)	P <sub>PP</sub>	800	Watts
Lead Soldering Temperature	T <sub>L</sub>	260 (10 sec.)	°C
Operating Temperature Range	T <sub>J</sub>	-55 ~ 150	°C
Storage Temperature Range	T <sub>STG</sub>	-55 ~ 150	°C

### ELECTRICAL CHARACTERISTICS PER LINE (@ 25°C Unless Otherwise Specified)

PART NUMBER	DEVICE MARKING	V <sub>RWM</sub>	V <sub>B</sub>	I <sub>T</sub>	V <sub>C</sub>	V <sub>C</sub>		I <sub>R</sub>	C <sub>T</sub>
		(V) (max.)	(V) (min.)	(mA)	@1A (max.)	(max.)	(@A)	(μA) (max.)	(pF) (max.)
TESD03K4U	SM8 LC03	3	4.5	1	7	20	45	50	15
TESD05K4U	SM8 LC05	5	6.0	1	10	24	37	10	15
TESD12K4U	SM8 LC12	12	13.3	1	19	33	25	1	15
TESD15K4U	SM8 LC15	15	16.7	1	25	39	20	1	15
TESD24K4U	SM8 LC24	24	26.7	1	40	57	15	1	15
TESD36K4U	SM8 LC36	36	40.0	1	53	72	10	1	15



**SOP-08 PACKAGE OUTLINE & DIMENSIONS**



**\* SOLDERING FOOTPRINT**

