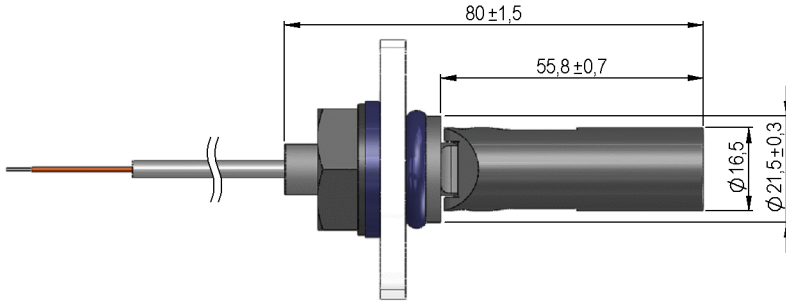
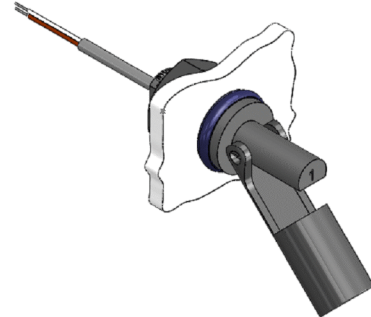


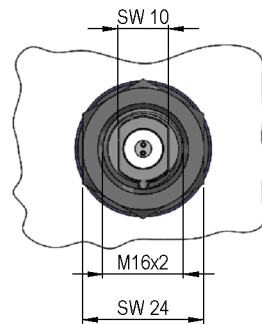
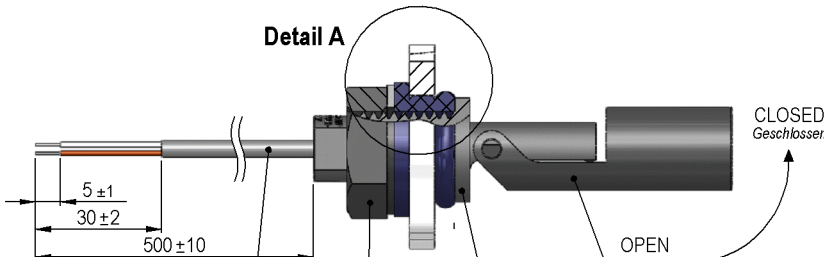
**Dimensions (mm)**  
 tolerances according to DIN ISO 2768-m  
 Toleranzen gem. DIN ISO 2768-m



**Isometric**  
 Scale 1:2  
 Maßstab 1:2



**Detail A**



**Cable**

round cable LIYY 2x0,14 mm<sup>2</sup>, grey  
 colour of wires: white and braun  
 ends tinned  
 Rundkabel LIYY 2x0,14 mm<sup>2</sup>, grau  
 Adernfarben: weiss und braun  
 Enden verzinkt

**Nut**

polyamid, black  
 Mutter-polyamid,  
 schwarz

**Stem**

polyamid, black  
 Schaft-Polyamid,  
 schwarz

**Float**

polyamid, black  
 Schwimmer-Polyamid,  
 schwarz

**Marking**

according to EN60062/factory code  
 gem. EN60062/Fertigungsstätte



**Wall of reservoir**

width: max. 5mm  
 mounting hole: max. Ø 22-24mm  
 Reservoirwand  
 Breite: max. 5mm  
 Montagebohrung: max. Ø 22-24mm

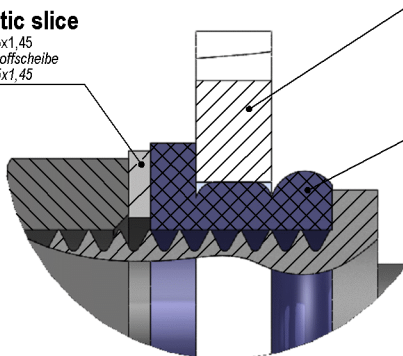
**Detail A**

**Plastic slice**

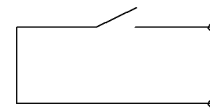
26x17,5x1,45  
 Kunststoffscheibe  
 26x17,5x1,45

**Seal**

to side wall  
 of reservoir-NBR, black  
 Montagedichtung  
 zur Behälterseitenwand-NBR,  
 schwarz



**Schematic**





*Products for tomorrow...*

Europe: +49 / 7731 8399 0 | Email: info@meder.com  
USA: +1 / 508 295 0771 | Email: salesusa@meder.com  
Asia: +852 / 2955 1682 | Email: salesasia@meder.com

Item No.:  
**9534197054**  
Item:  
**LS03/DL-1A66-PA-500W**  
**LS03/DL-PA-BV97054**

Special Product Data	Conditions	Min	Typ	Max	Unit
Contact rating	Any DC combination of V & A not to exceed their individual max.'s			10	W
Switching voltage	DC or Peak AC			180	V
Carry current	DC or Peak AC			1,25	A
Switching current	DC or Peak AC			0,5	A
Sensor-resistance	measured with 40% overdrive Sensor deactivated			290	mOhm
Housing material		Polyamid			
Case colour		black			
Sealing compound		Polyurethan			

Environmental data	Conditions	Min	Typ	Max	Unit
Operating temperature	cable not moved	-30		80	°C
Operating temperature	cable moved	-5		80	°C
Storage temperature		-30		80	°C
Safety class	DIN EN 60529	IP68			

Cable specification	Conditions	Min	Typ	Max	Unit
Cable type		round cable			
Cable material		PVC			
Cross section		0,14 sq-mm			

General data	Conditions	Min	Typ	Max	Unit
Mounting advice		over 5m cable, a resistor is recommended.			
Tightening torque				1	Nm

Modifications in the sense of technical progress are reserved

Designed at: 20.07.09    Designed by: WKOVACS  
Last Change at: 16.07.10    Last Change by: KSTOPPEL

Approval at: 21.07.09    Approval by: DKUECHLER  
Approval at: 13.12.10    Approval by: DKUECHLER

Rev. No.: 05

# Mouser Electronics

Authorized Distributor

Click to View Pricing, Inventory, Delivery & Lifecycle Information:

[Standex Electronics:](#)

[LS03/DL-1A66-PA-500W](#)