

**NW7 SERIES**

Bi-polar, 7mm Height

◆FEATURES

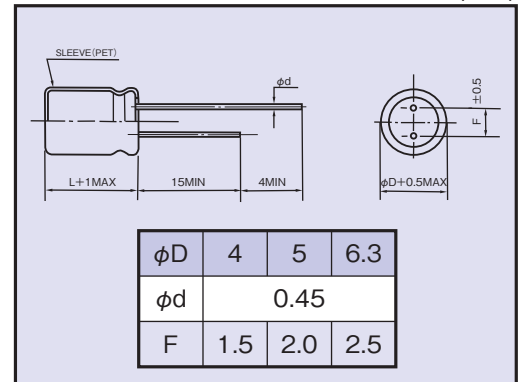
•RoHS compliance.



◆SPECIFICATIONS

Items	Characteristics	
Category Temperature Range	-40~+85°C	
Rated Voltage Range	6.3~50Vdc	
Capacitance Tolerance	±20% (20°C, 120Hz)	
Leakage Current(MAX)	I=0.05CV or 10μA whichever is greater.(After 5 minutes application of rated voltage) I=Leakage Current(μA) C=Capacitance(μF) V= Rated Voltage(Vdc)	
(tanδ) Dissipation Factor(MAX)	Rated Voltage (Vdc)	6.3 10 16 25 35 50 (20°C, 120Hz)
	tanδ	0.26 0.22 0.18 0.17 0.15 0.14
Endurance	After applying rated voltage with rated ripple current for 1000hrs at 85°C, (The polarity shall be reversed every 500hrs.), the capacitors shall meet the following requirements.	
	Capacitance Change	Within ±25% of the initial value.
	Dissipation Factor	Not more than 200% of the specified value.
	Leakage Current	Not more than the specified value.
Low Temperature Stability Impedance Ratio(MAX)	Rated Voltage (Vdc)	6.3 10 16 25 35 50 (120Hz)
	Z(-25°C)/Z(20°C)	4 3 3 2 2 2
	Z(-40°C)/Z(20°C)	10 8 6 4 4 4

◆DIMENSIONS (mm)



◆MULTIPLIER FOR RIPPLE CURRENT

Frequency coefficient

Frequency (Hz)	60(50)	120	500	1k	10k≤
0.33~1μF	0.50	1.00	1.20	1.30	1.50
2.2~4.7μF	0.65	1.00	1.20	1.30	1.50
10~47μF	0.80	1.00	1.20	1.30	1.50

◆OPTION

	Code
PET Sleeve	EFC

◆標準品一覽表 / STANDARD SIZE

Size φD×L(mm), Rated Ripple Current (mA r.m.s./85°C, 120Hz)

Vdc	Cap (μF)	Size (φD×L)	Rated Ripple Current
6.3	22	5×7	32
	33	5×7	40
	47	6.3×7	56
10	10	4×7	23
	22	5×7	35
	33	6.3×7	45
	47	6.3×7	65

Vdc	Cap (μF)	Size (φD×L)	Rated Ripple Current
16	4.7	4×7	18
	10	4×7	25
	22	6.3×7	45
	33	6.3×7	60
	47	6.3×7	65
25	3.3	4×7	15
	4.7	4×7	18
	10	6.3×7	35
	22	6.3×7	50

Vdc	Cap (μF)	Size (φD×L)	Rated Ripple Current
35	2.2	4×7	13
	3.3	5×7	19
	4.7	5×7	22
	10	6.3×7	37
	0.33	4×7	3
50	0.47	4×7	5
	1	4×7	10
	2.2	5×7	15
	3.3	5×7	19
	4.7	6.3×7	26

◆PART NUMBER

NW7    M     D×L  
 Rated Voltage Series Capacitance Capacitance Tolerance Option Lead Forming Case Size