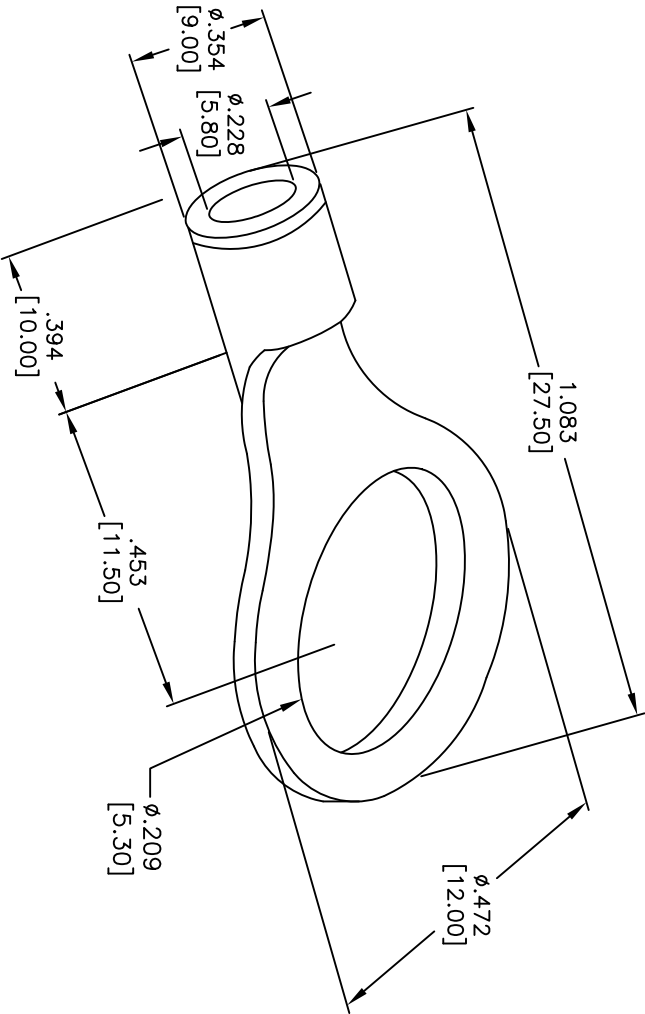


Rev	AWO #	Description	Date	Appr
-		RELEASED	7/08/11	

APPROVED: _____
 DATE: _____ TITLE: _____



ADAM TECH
 909 Rahway Avenue, Union, NJ 07083
 Phone: 908-687-5000 Fax: 908-687-5710

209th RING TERMINAL

UNLESS OTHERWISE SPECIFIED ALL DIMENSIONS ARE IN INCHES [MM]	
TOLERANCES: EXCEPT AS NOTED	
INCHES	HOLDS
.X ± .10	ØX ± .10
.XX ± .020	ØXX ± .015
.XXX ± .015	ØXXX ± .010
APPROVALS	DATE
DRAWN DY	7/08/11
CHECKED	
APPROVED	

SIZE	PART NO.	REV.
X	15RT-.209/.472/.228	-
REF: S00151T	SCALE: NTS	SHEET 1 OF 1



SPECIFICATIONS:
 Terminal: Copper
 Wire range: 6 AWG
 Thickness: 1.5mm
 Environmental:
 Lead free, RoHS compliant.

6 5 4 3 2 1