

T-46-23-05

**Description**

NEC's μPB100474 is a very high-speed 100K interface ECL RAM organized as 1,024 words by 4 bits and designed with open-emitter, noninverted outputs. It is available in a 24-pin cerdip, 24-pin ceramic LCC, or 24-pin ceramic flatpack package.

**Features**

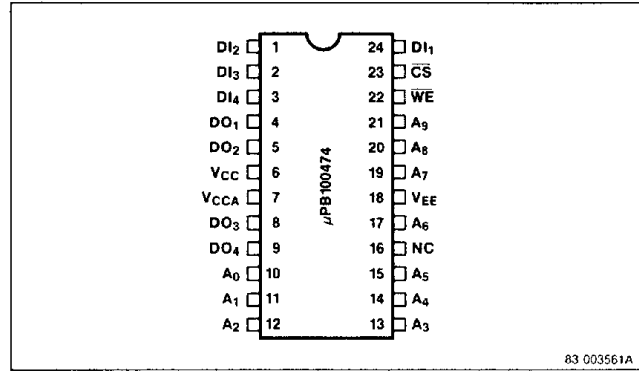
- 1024-word by 4-bit organization
- 100K interface ECL
- Full voltage and temperature compensation
- Noninverted, open emitter outputs
- Fast access times
- 24-pin cerdip, ceramic LCC, and ceramic flatpack packaging

**Ordering Information**

Part Number	Access Time (max)	Supply Current (min)	Package
μPB100474B-6	6 ns	-450 mA	24-pin ceramic flatpack
B-8	8 ns	-220 mA	
B-10	10 ns		
B-15	15 ns		
μPB100474D-8	8 ns	-220 mA	24-pin cerdip
D-10	10 ns		
D-15	15 ns		
μPB100474K-4.5	4.5 ns	-450 mA	24-pin ceramic LCC
K-6	6 ns		

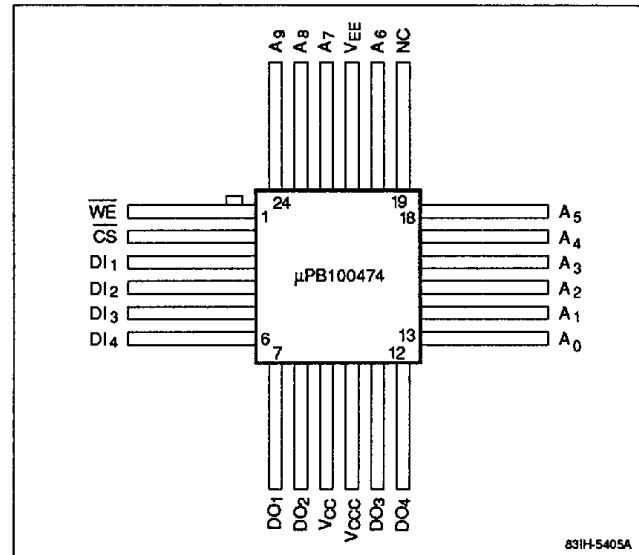
**Pin Configurations**

**24-Pin Cerdip**

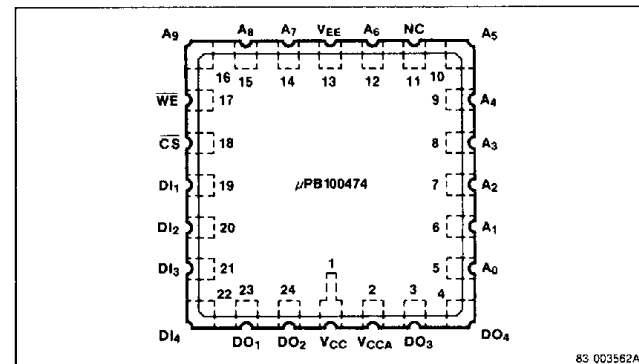


26c

**24-Pin Ceramic Flatpack**

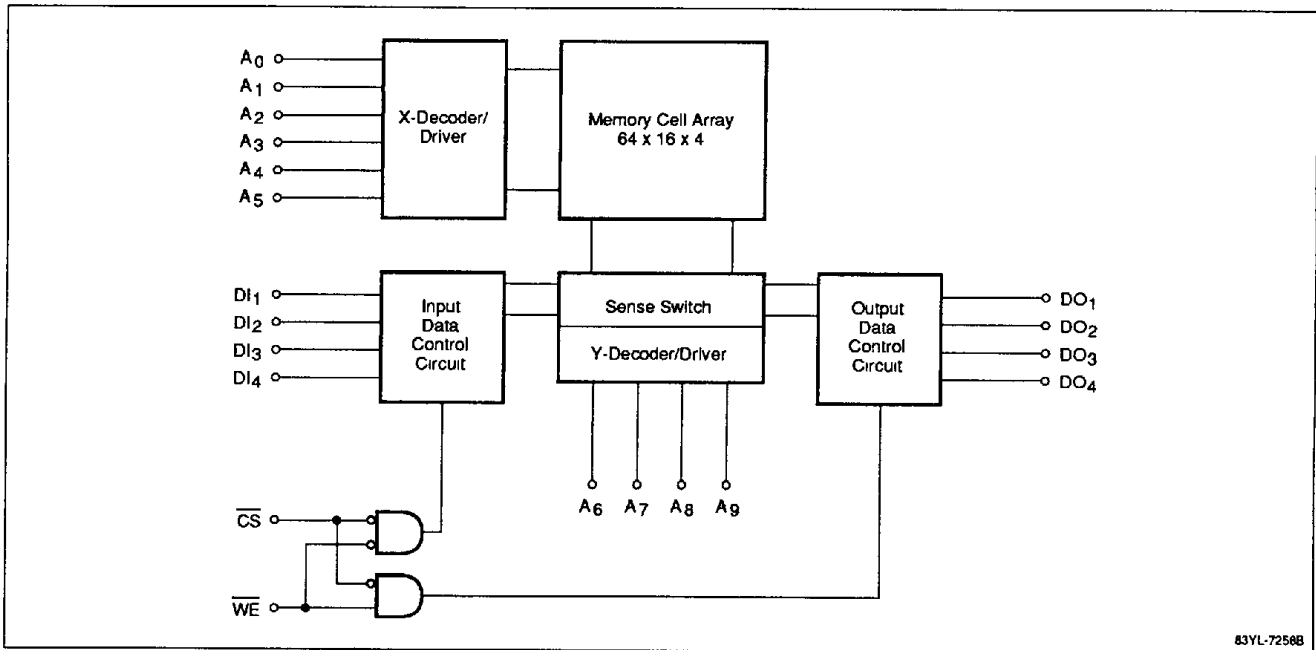


**24-Pin Ceramic LCC**



**μPB100474**

**Block Diagram**



83YL-7258B

**Pin Identification**

Symbol	Function
A <sub>0</sub> - A <sub>9</sub>	Addresses
DI <sub>1</sub> - DI <sub>4</sub>	Data inputs
DO <sub>1</sub> - DO <sub>4</sub>	Data outputs
WE	Write enable
CS	Chip select
V <sub>CC</sub>	Power supply (current switches and bias driver)
V <sub>CCA</sub>	Power supply (output devices)
V <sub>EE</sub>	Power supply
NC	No connection

**Capacitance**

Parameter	Symbol	Min	Typ	Max	Unit
Input capacitance	C <sub>IN</sub>		4		pF
Output capacitance	C <sub>OUT</sub>		5		pF

**Absolute Maximum Ratings**

Supply voltage, V <sub>EE</sub> to V <sub>CC</sub>	-7.0 V to +0.5
Input voltage, V <sub>IN</sub>	+0.5 V to V <sub>EE</sub>
Output current, I <sub>OUT</sub>	-30 mA to +0.1
Storage temperature, T <sub>STG</sub>	-65 to +150 °C
Storage temperature under bias, T <sub>STG</sub> (Bias)	-55 to +125 °C

Exposure to Absolute Maximum Ratings for extended periods may affect device reliability; exceeding the ratings could cause permanent damage. The device should be operated within the limits specified under DC and AC Characteristics.

**Truth Table**

CS	WE	D <sub>IN</sub>	Output	Function
H	X	X	L	Not selected
L	L	L	L	Write 0
L	L	H	L	Write 1
L	H	X	D <sub>OUT</sub>	Read

**Notes:**

(1) X = don't care.

**DC Characteristics**

$T_A = 0$  to  $+85^\circ\text{C}$ ;  $V_{EE} = -4.5\text{ V}$ ; output load =  $50\ \Omega$  to  $-2.0\text{ V}$

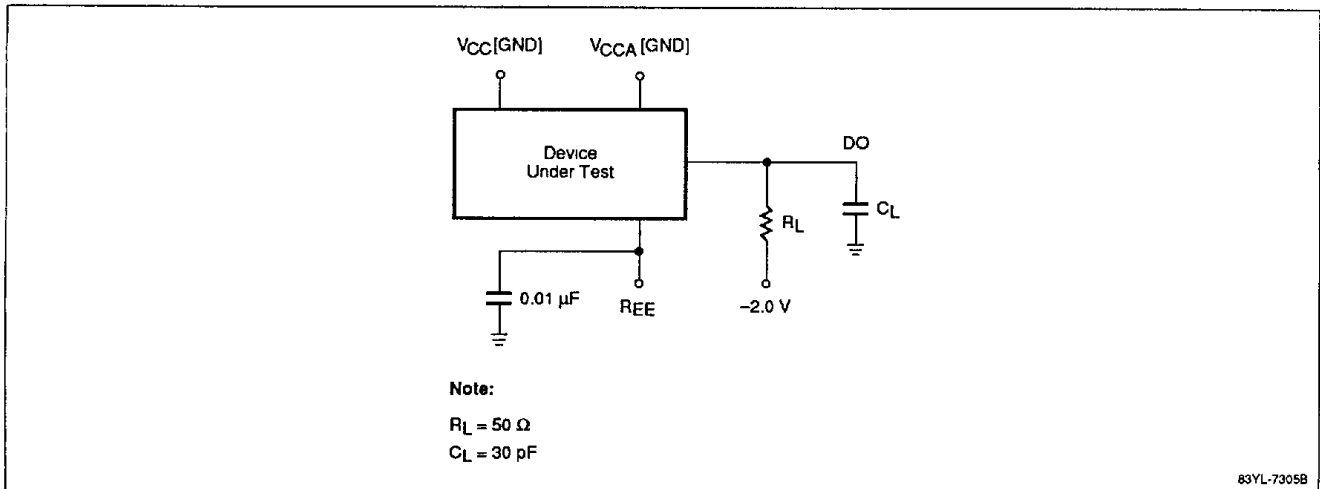
Parameter	Symbol	Min	Typ	Max	Unit	Test Conditions
Output voltage, high	$V_{OH}$	-1025		-880	mV	$V_{IN} = V_{IH}$ max or $V_{IL}$ min
Output voltage, low	$V_{OL}$	-1810		-1620	mV	$V_{IN} = V_{IH}$ max or $V_{IL}$ min
Output threshold voltage, high	$V_{OHC}$	-1035			mV	$V_{IN} = V_{IH}$ min or $V_{IL}$ max
Output threshold voltage, low	$V_{OLC}$			-1610	mV	$V_{IN} = V_{IH}$ min or $V_{IL}$ max
Input voltage, high	$V_{IH}$	-1165		-880	mV	Guaranteed input voltage high for all inputs
Input voltage, low	$V_{IL}$	-1810		-1475	mV	Guaranteed input voltage low for all inputs
Input current, high	$I_{IH}$			220	$\mu\text{A}$	$V_{IN} = V_{IH}$ max
Input current, low	$I_{IL}$	0.5		170	$\mu\text{A}$	For $\overline{\text{CS}}$ : $V_{IN} = V_{IL}$ min
		-50			$\mu\text{A}$	For all others: $V_{IN} = V_{IL}$ min
Supply current	$I_{EE}$	-220			mA	$t_{AA} = 8/10/15\text{ ns}$ ; all inputs and outputs open
		-450			mA	$t_{AA} = 4.5/6\text{ ns}$ ; all inputs and outputs open (Note 2)

**26c**

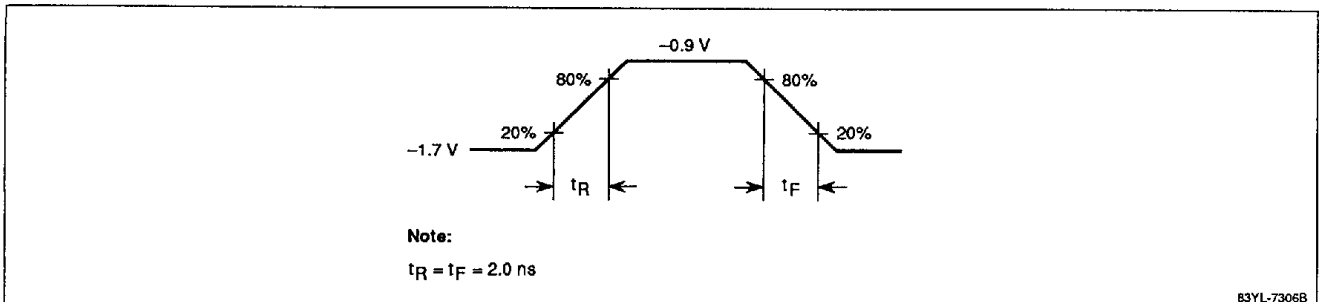
**Notes:**

- (1) The device under test is mounted in a test socket and is measured at a thermal equilibrium established with a transverse air flow maintained at greater than 2.0 ms.
- (2) For the  $\mu\text{PB100474-4.5/-6}$ , take measures to reduce the thermal resistance and to keep the junction temperature less than  $90^\circ\text{C}$ . Forced air and appropriate fins on the substrate on which the package is mounted, or on the package itself, are recommended. The thermal resistance of the junction to the case (bottom side) of an LCC or flatpack package is less than  $10^\circ\text{C/W}$ .

**Figure 1. Loading Conditions Test Circuit**



**Figure 2. Input Pulse**



**μPB100474****AC Characteristics**
 $T_A = 0 \text{ to } +85^\circ\text{C}; V_{EE} = -4.5 \text{ V } \pm 5\%$ 

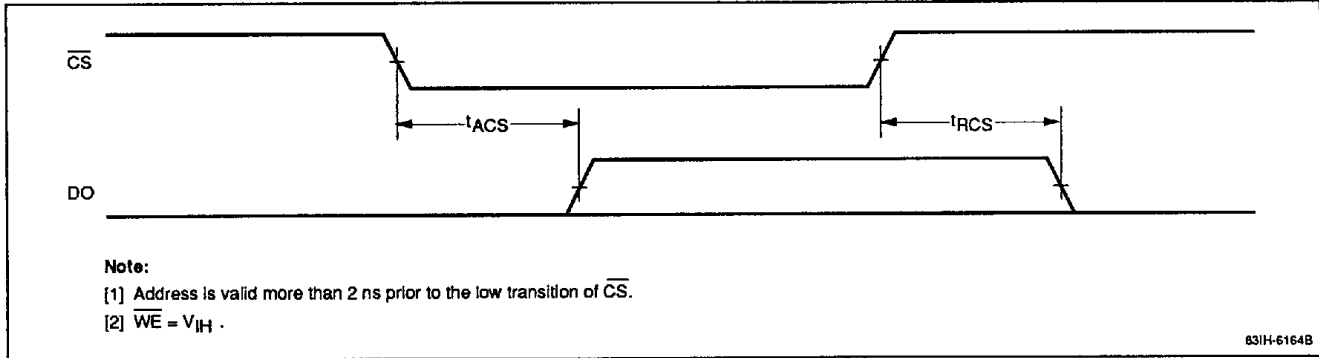
Parameter	Symbol	μPB100474-4.5		μPB100474-6		μPB100474-8		μPB100474-10		μPB100474-15		Unit
		Min	Max	Min	Max	Min	Max	Min	Max	Min	Max	
<b>Read Operation</b>												
Chip select access time	$t_{ACS}$		4		4		5		6		8	ns
Chip select recovery time	$t_{RCS}$		4		4		5		6		8	ns
Address access time	$t_{AA}$		4.5		6		8		10		15	ns
<b>Write Operation</b>												
Write pulse width	$t_W$	4.5		6		6		10		15		ns
Data setup time	$t_{WSD}$	1		1		1		2		2		ns
Data hold time	$t_{WHD}$	1		1		1		2		2		ns
Address setup time	$t_{WSA}$	1		1		1		3		3		ns
Address hold time	$t_{WHA}$	2		2		1		2		2		ns
Chip select setup time	$t_{WSCS}$	1		1		1		2		2		ns
Chip select hold time	$t_{WHCS}$	1		1		1		2		2		ns
Write disable time	$t_{WS}$		4		4		5		6		8	ns
Write recovery time	$t_{WR}$		4.5		6		8		10		10	ns

**Notes:**

- (1) The device under test is mounted in a test socket and is measured at a thermal equilibrium established with a transverse air flow maintained at greater than 2.0 m/sec.
- (2) For the μPB100474-4.5/-6, take measures to reduce the thermal resistance and to keep the junction temperature less than 90°C. Forced air and appropriate fins on the substrate on which the package is mounted, or on the package itself, are recommended. The thermal resistance of the junction to the case (bottom side) of an LCC or flatpack package is less than 10°C/W.
- (3) See figures 1 and 2 for loading conditions and input pulse timing. For the μPB100474-4.5/-6,  $C_L = 5 \text{ pF}$ . For the μPB100474-8/10/15,  $C_L = 30 \text{ pF}$ .
- (4) Output rise and fall times = 2 ns (typ).

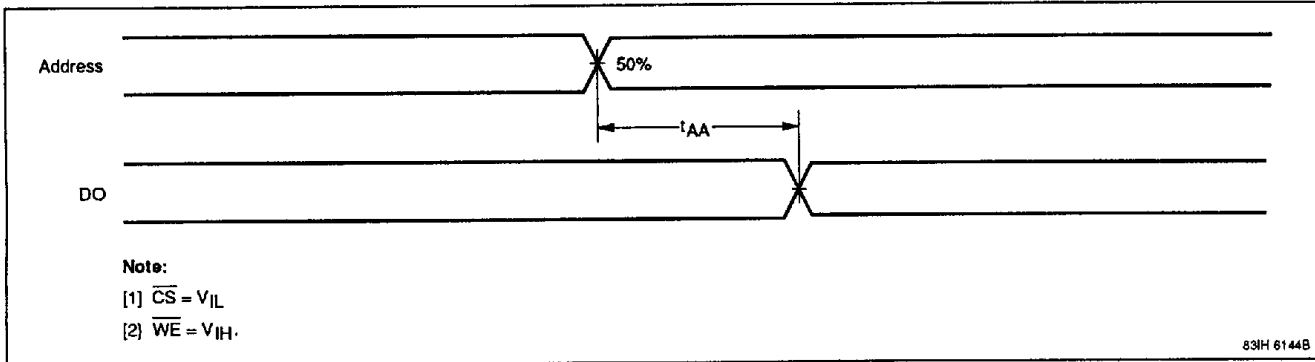
**Timing Waveforms**

**Chip Select Access Cycle**



**26c**

**Address Access Cycle**



**Timing Waveforms (cont)**

**Write Cycle**

