

Model NO.	LCCS-040■142	Model Name	Constant Current Power Supply
Part NO.	PLCCS0040■142	SIZE	95mm * 70mm * 32mm



FEATURES

- ◆ AC Input 100~240Vac
- ◆ Protection: SCP / OTP / OVP
- ◆ High Operating ambient Temp: -20°C ~ +60°C
- ◆ Safety: Meet UL / TUV / CB
- ◆ EMC: CE
- ◆ Comply with Indoor/Outdoor Waterproof (IP 67)
- ◆ Dimension (mm): L*W*H: 95mm * 70mm * 32mm
- ◆ ROHS
- ◆ Power Factor: >0.95@115VAC >0.85@230VAC

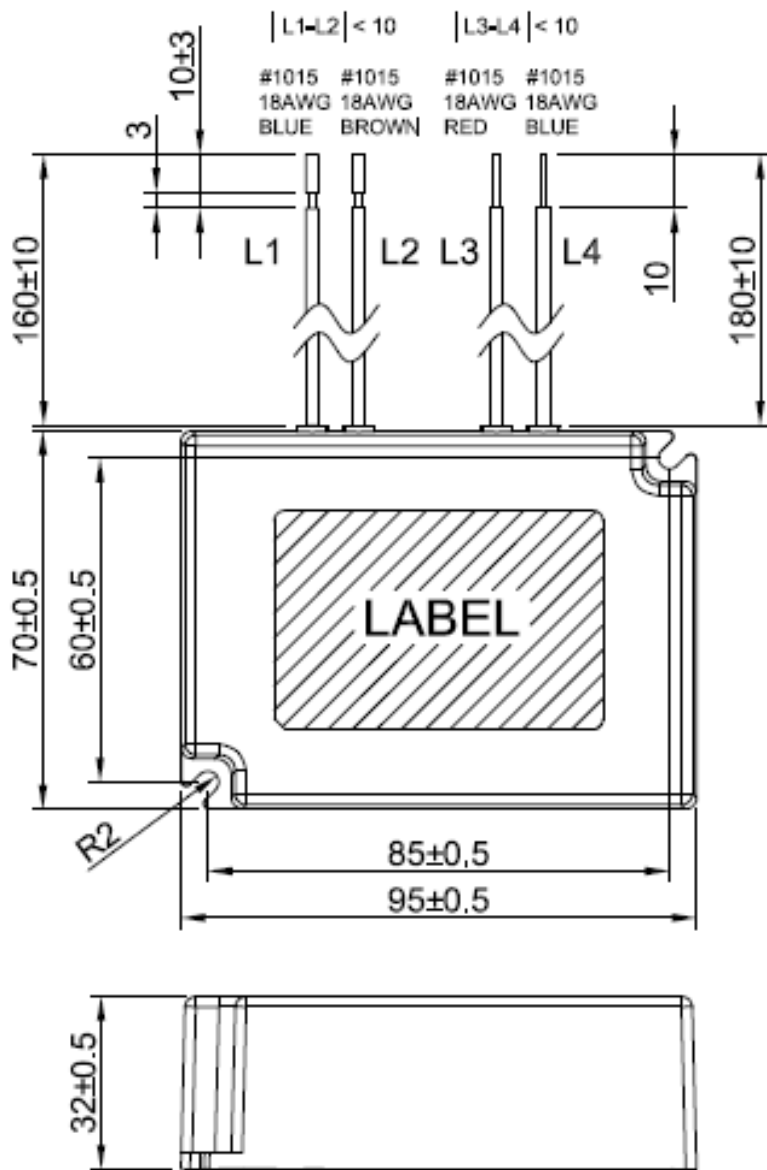
Module : LCCS-040■142 *,# =SEE NOTES BELOW

*(8)	MODEL	LCCS-040■142		
		min.	norm.	max.
	SPECIFICATION			
	DC OUTPUT VOLTAGE (V)		24	
*	PRESET ACCURACY (%) *(7)		5	
*	OUTPUT CURRENT(A) *(5)		1.4	
*	O/P NOISE (P-P, V) *(3)		2.5	
*	LINE REGULATION (%) *(6)		10	
	DC OUTPUT POWER	33.6 W		
	EFFICIENCY(typ @Full Load)	81%		
	SETUP	3000ms at full load 115VAC/230VAC		
	INPUT VOLTAGE RANGE	90-264VAC, 127-373VDC, Normal : 100-240VAC		
	INPUT FREQUENCY	Range:47-63Hz, Normal : 50-60Hz		
	INRUSH CURRENT (typ)	COLD START 50A @ 230VAC		
	AC CURRENT	0.5A/100VAC 0.3A/240VAC		
	LEAKAGE CURRENT	0.7mA/264VAC		
	SHORT CIRCUIT PROTECTION	The SCP will restart automatically after the fault condition is removed.		
	OVER TEMP. PROTECTION	The power will derate on the current limit.		
	OVER V, PROTECTION	The OVP is latched shutdown mode.		
*	OPERATING TEMP.*(4)	-20 to +60°C @full load		
	STORAGE TEMPERATURE	-40 to +80°C		
	RELATIVE HUMIDITY	0 to +95%		
	TEMP. COEFFICIENT	0.03% / °C (0-50°C, typ)		
	SAFETY	Meet UL / TUV EN 61347-2-13 / CB		
	EMI	CE EN55015		
	DIMENSIONS	95mm * 70mm * 32mm (L*W*H)		

NOTES : (1)All parameters not specially mentioned are measured 230VAC input.
 (2)All specifications Typical @25°C, unless otherwise noted, at normal line and load.
 (3)Ripple and Noise measured directly at pins/terminals at nom. load, @20MHz bandwidth.
 (4)Specified for free-air convection cooling.
 (5)Minimum load is NOT required for proper operation .
 (6)Line regulation measured from 100VAC to 240VAC.
 (7)Preset accuracy measured at normal load, 120VAC input.
 (8)100% Production Tested.

Model NO.	LCCS-040■142	Model Name	Constant Current Power Supply
Part NO.	PLCCS0040■142	SIZE	95mm * 70mm * 32mm

Dimensions



Unit : mm

✳Reference