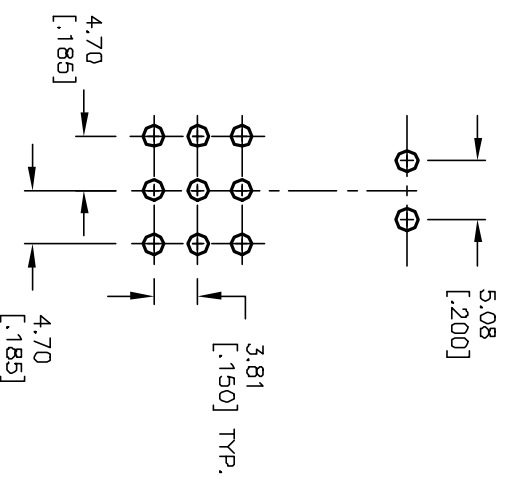
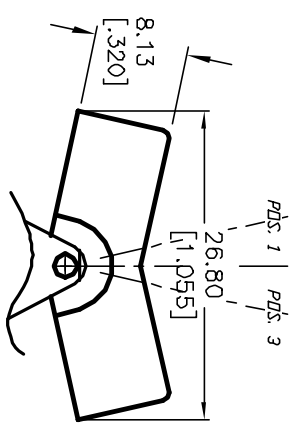
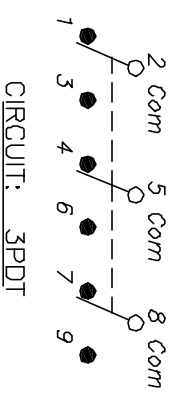


SWITCH FUNCTION		
PDS. 1	PDS. 2	PDS. 3
DN	NDNE	DN
2-3,5-6,8-9	DPEN	2-1,5-4,8-7



- NOTES:
1. ALL DIMENSIONS IN MM. [INCH]
 2. GENERAL TOLERANCE: X.X=±0.4; X.XX=±0.25
 3. TERM. NOS. FOR REF. ONLY
 4. CONTACT RATING: 5A @120VAC or 28VDC; 2A @250VAC
 5. FIXED TERM/MOVING CONTACT: COPPER ALLOY W/SILVER PLATE.
 6. ELECTRICAL LIFE: 50,000 make-and-break cycles at full load.
 7. INSULATION RESISTANCE: 1,000M ohm min.
 8. DIELECTRIC STRENGTH: 1,000 V RMS @sed level
 9. OPERATION TEMP.: -30°C to +85°C

REV.	ECN No.	DESCRIPTION	DATE	CHKD
A	12287	RELEASED FOR PRODUCTION	7/17/02	CJB

TITLE		SCALE	DATE	DR	DWG	REV
300 3P1 J3 BLK M6 QE		1.5:1	7/17/02	CJB	T331024	A

E-SWITCH®

THE INFORMATION CONTAINED IN THIS DOCUMENT IS PROPRIETARY TO E-SWITCH AND IS NOT TO BE COPIED OR TRANSFERRED