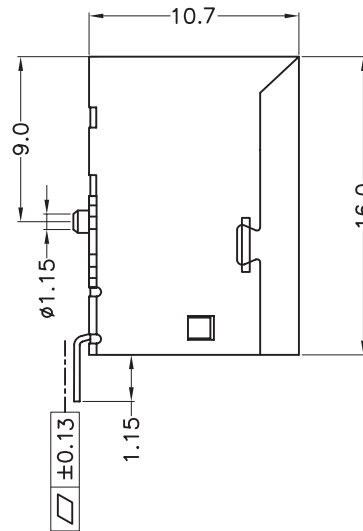
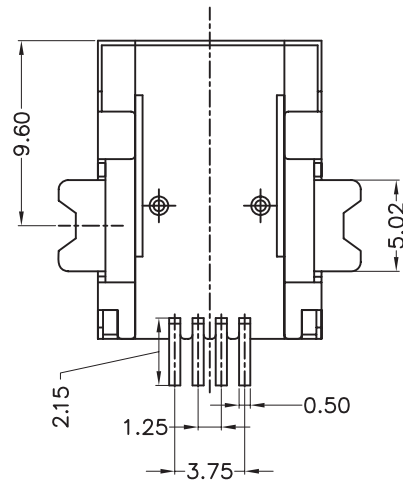


PCB LAYOUT - COMPONENT VIEW



TECHNICAL CHARACTERISTICS

MATERIAL  
 INSULATOR: NYLON 6T  
 FLAMABILITY RATING: UL94-V0  
 COLOR: BLACK  
 CONTACT MATERIAL: COPPER ALLOYS  
 CONTACT TYPE: STAMPED  
 CONTACT PLATING: SELECTIVE GOLD  
 SHIELDING: BRASS NI PLATED  
 QUALITY CLASS: 1500 MATING CYCLE

ENVIRONMENTAL  
 OPERATING TEMPERATURE: -40 UP TO 105°C  
 COMPLIANCE: LEAD FREE AND ROHS

ELECTRICAL  
 CURRENT RATING: 1.5A Max  
 WORKING VOLTAGE: 30V  
 INSULATOR RESISTANCE: >1000 MOHM  
 DIELECTRIC WITHSTANDING VOLTAGE: 750V AC/MN  
 CONTACT RESISTANCE: 20 mOHM MAX

STANDARD

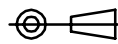
CERTIFIED: E323964 / MODEL NUMBER 614/629-B

SOLDERING  
 REFLOW PROCESS ONLY

PACKAGING  
 TAPE & REEL

RoHS Compliant

PROJECTION:



GENERAL TOLERANCE

.X = +/- 0.2

.XX = +/- 0.15



APPROVAL: RJ

UNIT: MM

SCALE:

SHEET: 1/2

DRAW: MIKE

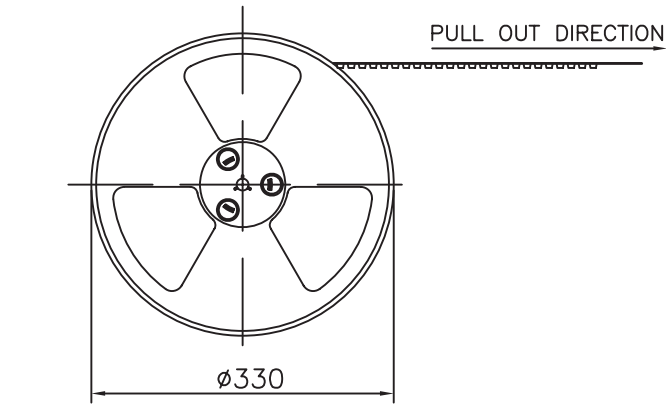
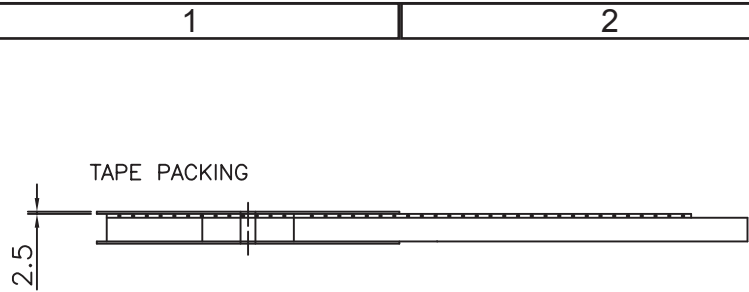
DESCRIPTION: USB 2.0 BFEMALE RIGHT ANGLE SMD TYPE

WERI PART NO: 629 104 161 21

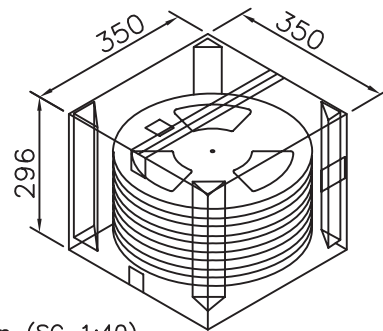
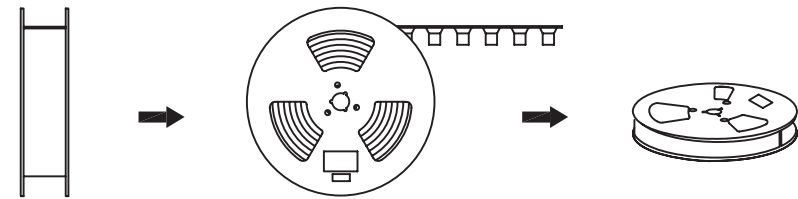
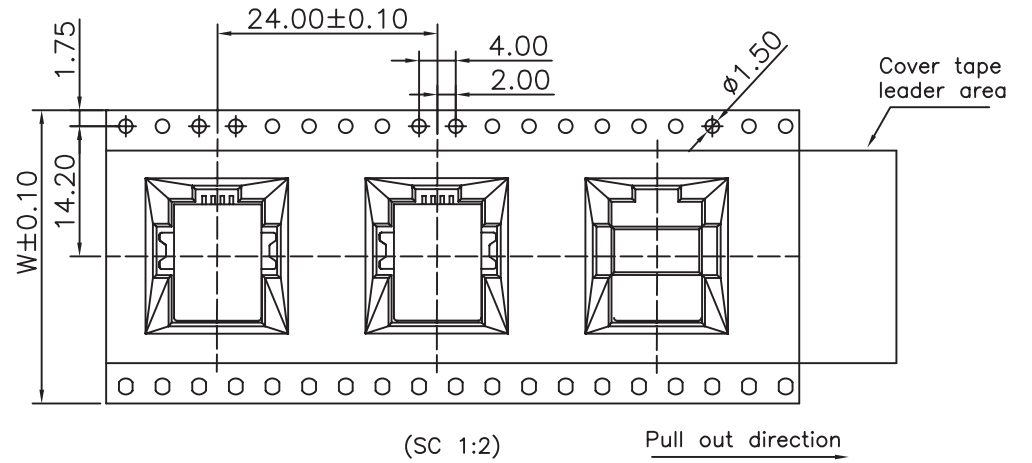
SIZE

**A4**

REV	DATE	FILE	BY
H	29-APR-11	PACKAGING	GG
I	22-JUN-11	CURRENT RATING	GG
J	08-NOV-11	CURRENT RATING	GG
K	18-JUN-12	MATERIAL	GG
L	18-FEB-13	DESIGNATION	AR



(SC 1:20)



Carton (SC 1:40)

- Note:
- 1.Material : Black BK
  - 2.Thickness : 0.50±0.05mm
  - 3.Component load per 13" reel :150 pcs.
  - 4.Carton Size:350\*350\*296(mm)

Pin.	W	Pcs/R	R/Carton	Pcs/Carton
04	32	150	7	1050

RoHS Compliant				PROJECTION: 	GENERAL TOLERANCE .X = +/- 0.2 .XX = +/- 0.15		DESCRIPTION: USB BFEMALE RIGHT ANGLE SMD TYPE	SIZE <b>A4</b>
APPROVAL: RJ								
REV	DATE	FILE	BY		SHEET: 2/2			
					DRAW: MIKE			