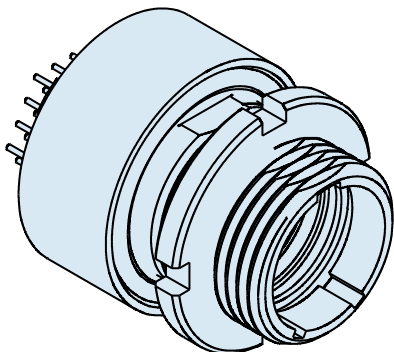


893-009 Circular Threaded, Rear Panel Mount Receptacle Connector with Straight PCB Termination



**MATES
WITH 892-006**

Glenair Rear Panel Mount Threaded Coupling Receptacle Connectors

feature gold alloy TwistPin contacts, offering premium performance and reliability for demanding applications. Available with or without backshell, overmolded or shrink boot.

Choose Aluminum or Stainless Steel Shells in 6 layouts from 4 to 55 contacts. These connectors are intermateable with nanominiature plug connectors 892-006 plug connectors.

Pre-Tinned PC Tails are coated with Sn63-Pb37 tin-lead for excellent solderability.

Material/Finish:

- Shell/spanner nut - see part number breakdown
- Insulator - LCP/na
- Socket contacts - gold alloy
- O-rings - fluorosilicone/na
- Internal latching spring - stainless steel/gold plated
- PCB tray(s) - LCP/na
- PC tails - copper alloy/pre-tinned Sn63/Pb37



How To Order Circular Nano Connectors

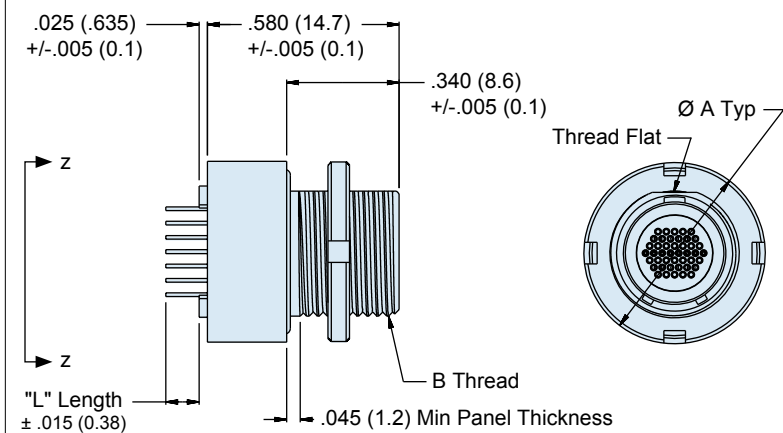
Sample Part Number	893	-009	1-7	N	A2	-0	D3	-S1
Series	893 - Nano Circular with PCB Termination							
Shell Style	-009 - Rear Panel Mount Threaded Coupling Receptacle							
Shell Size/Contact Arrangement	1-4 - Shell Size 1 with 4 contacts		3-37 - Shell Size 3 with 37 contacts					
	1-7 - Shell Size 1 with 7 contacts		4-44 - Shell Size 4 with 44 contacts					
	2-19 - Shell Size 2 with 19 contacts		4-55 - Shell Size 4 with 55 contacts					
	See Table 1							
Polarization	N - Normal A - Alternate							
Shell Material/Finish	A2 - Aluminum/Electroless Nickel		S1 - Stainless Steel/Zinc Cobalt (Black)					
	A5 - Aluminum/Gold Over Nickel		S2 - Stainless Steel/Passivated					
Wire Gauge	-0 - 30 AWG							
Wire Type	D3 - Single Strand Copper Alloy Wire Uninsulated, Pre-tinned							
PC Tail Length (inches)	-S1 - .080" Straight Lead		-S2 - .110" Straight Lead		-S3 - .140" Straight Lead		-S4 - .170" Straight Lead	

Table 1: Circular Receptacle Mating Face Views

Size 1-4 4 Contacts	Size 1-7 7 Contacts	Size 2-19 19 Contacts	Size 3-37 37 Contacts	Size 4-44 44 Contacts	Size 4-55 55 Contacts

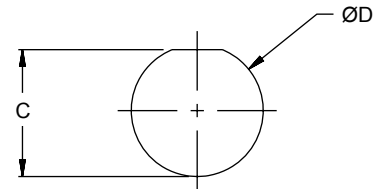
Dimensions in inches (millimeters) and are subject to change without notice.

Table II: Dimensions



Size	Ø A +/- .005	B Thread
1-4	.429 (10.9)	M7.0 x 0.75 - 6g
1-7	.429 (10.9)	M7.0 x 0.75 - 6g
2-19	.488 (12.4)	M8.5 x 0.75 - 6g
3-37	.528 (13.4)	M9.5 x 0.75 - 6g
4-44	.567 (14.5)	M10.5 x 0.75 - 6g
4-55	.567 (14.5)	M10.5 x 0.75 - 6g

Table III: Rear Panel Mount Panel Cut-Out



Size	C +.002 / -.001	Ø D +.002 / -.001
1-4	.260 (6.7)	.280 (7.1)
1-7	.260 (6.7)	.280 (7.1)
2-19	.318 (7.8)	.340 (8.7)
3-37	.361 (9.2)	.378 (9.6)
4-44	.401 (10.2)	.470 (10.7)
4-55	.401 (10.2)	.470 (10.7)

Table IV: Recommended PCB Layouts Per View Z ←→ Z

Size 1-4	Size 1-7	Size 2-19
Size 3-37	Size 4-44	Size 4-55

Dimensions in inches (millimeters) and are subject to change without notice.