

SHINDENGEN

Schottky Rectifiers (SBD)

Single

D1NS4

40V 1A

FEATURES

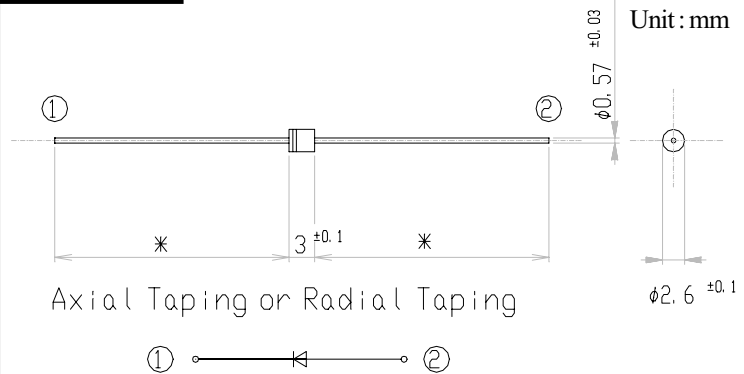
- Tj150°C
- P_{RRSM} avalanche guaranteed
- 5 mm pitch mounting applicable

APPLICATION

- Switching power supply
- DC/DC converter
- Home Appliances, Office Equipment
- Telecommunication

OUTLINE DIMENSIONS

Case : AX057



- *Taping Code No. 4000:20^{MIN}
- No. 4060:27^{MIN}
- No. 4070:15^{MIN}

RATINGS

● Absolute Maximum Ratings (If not specified Tl=25°C)

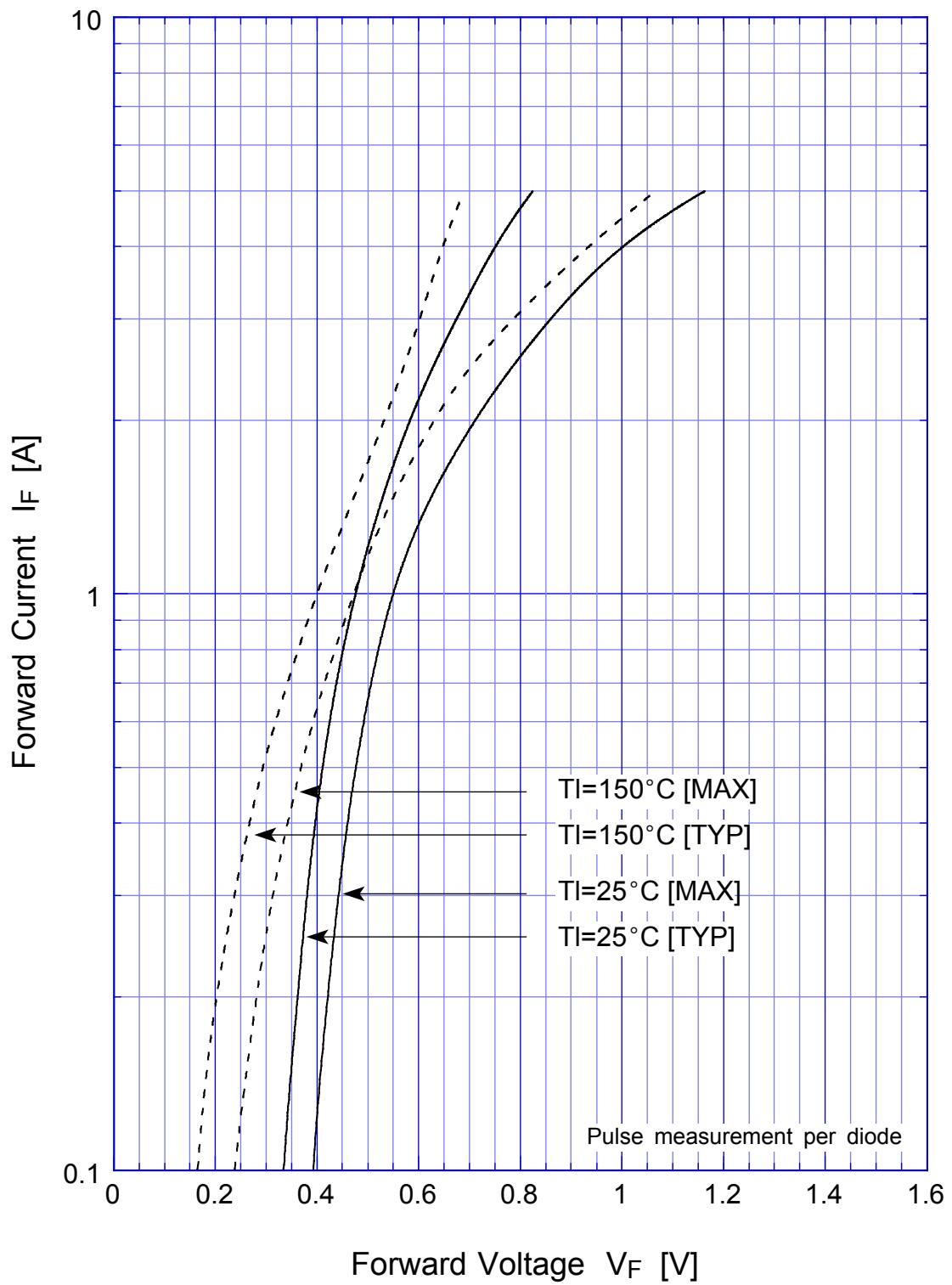
Item	Symbol	Conditions	Ratings	Unit
Storage Temperature	T _{stg}		-55~150	°C
Operating Junction Temperature	T _j		150	°C
Maximum Reverse Voltage	V _{RM}		40	V
Repetitive Peak Surge Reverse Voltage	V _{RRSM}	Pulse width 0.5ms, duty 1/40	45	V
Average Rectified Forward Current	I _O	50Hz sine wave, T _a =59°C	1	A
Peak Surge Forward Current	I _{FSM}	50Hz sine wave, Non-repetitive 1 cycle peak value, T _j =125 °C	30	A
Repetitive Peak Surge Reverse Power	P _{RRSM}	Pulse width 10 μ s, T _j =25°C	60	W

● Electrical Characteristics (If not specified Tl=25°C)

Item	Symbol	Conditions	Ratings	Unit
Forward Voltage	V _F	I _F =1A, Pulse measurement	Max.0.55	V
Reverse Current	I _R	V _R =40V, Pulse measurement	Max.0.8	mA
Junction Capacitance	C _j	f=1MHz, V _R =10V	Typ.50	pF
Thermal Resistance	θ _{jl}	junction to lead	Max.10	°C/W
	θ _{ja}	junction to ambient, On P.C.B.	Max.113	

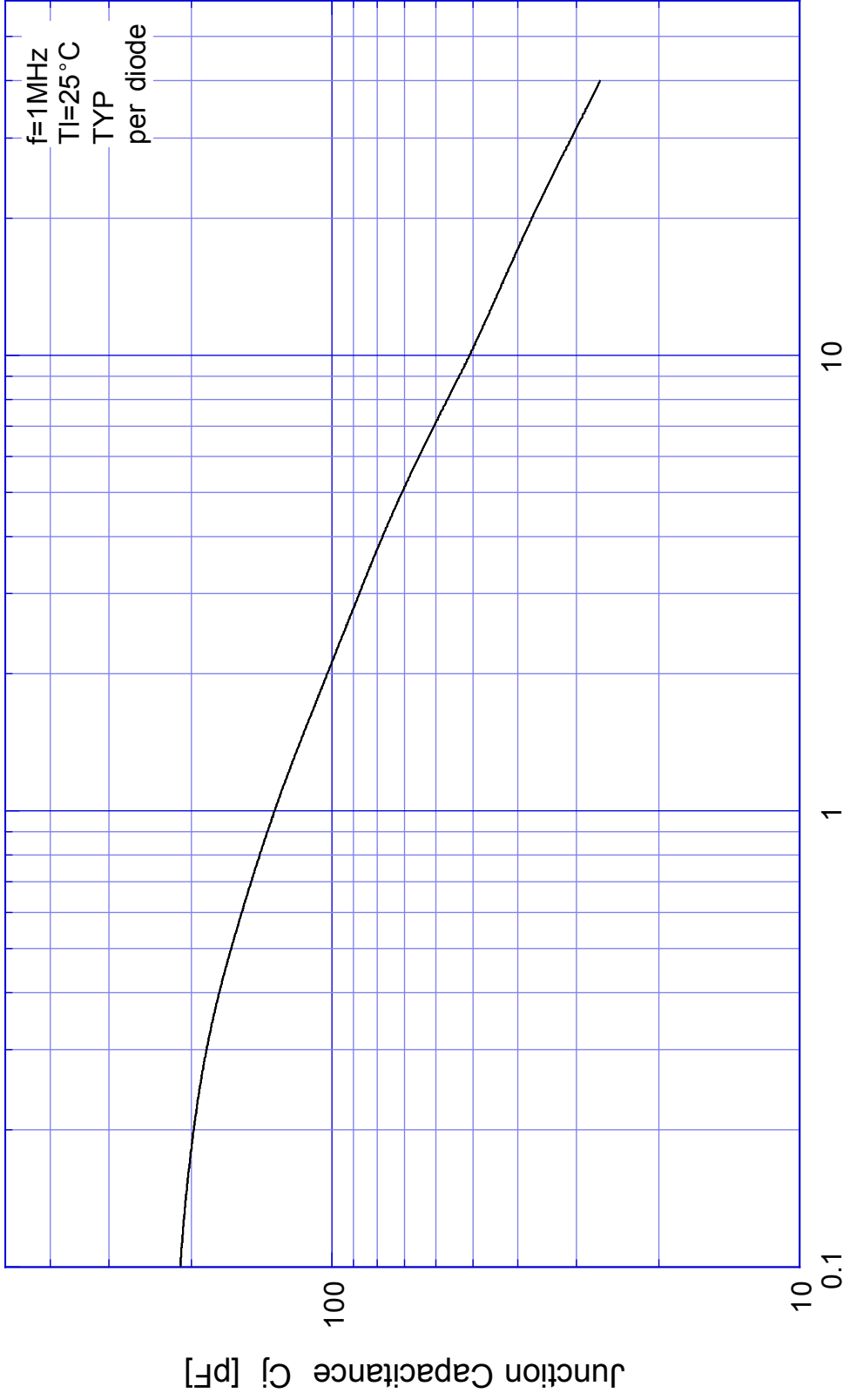
D1NS4

Forward Voltage



D1NS4

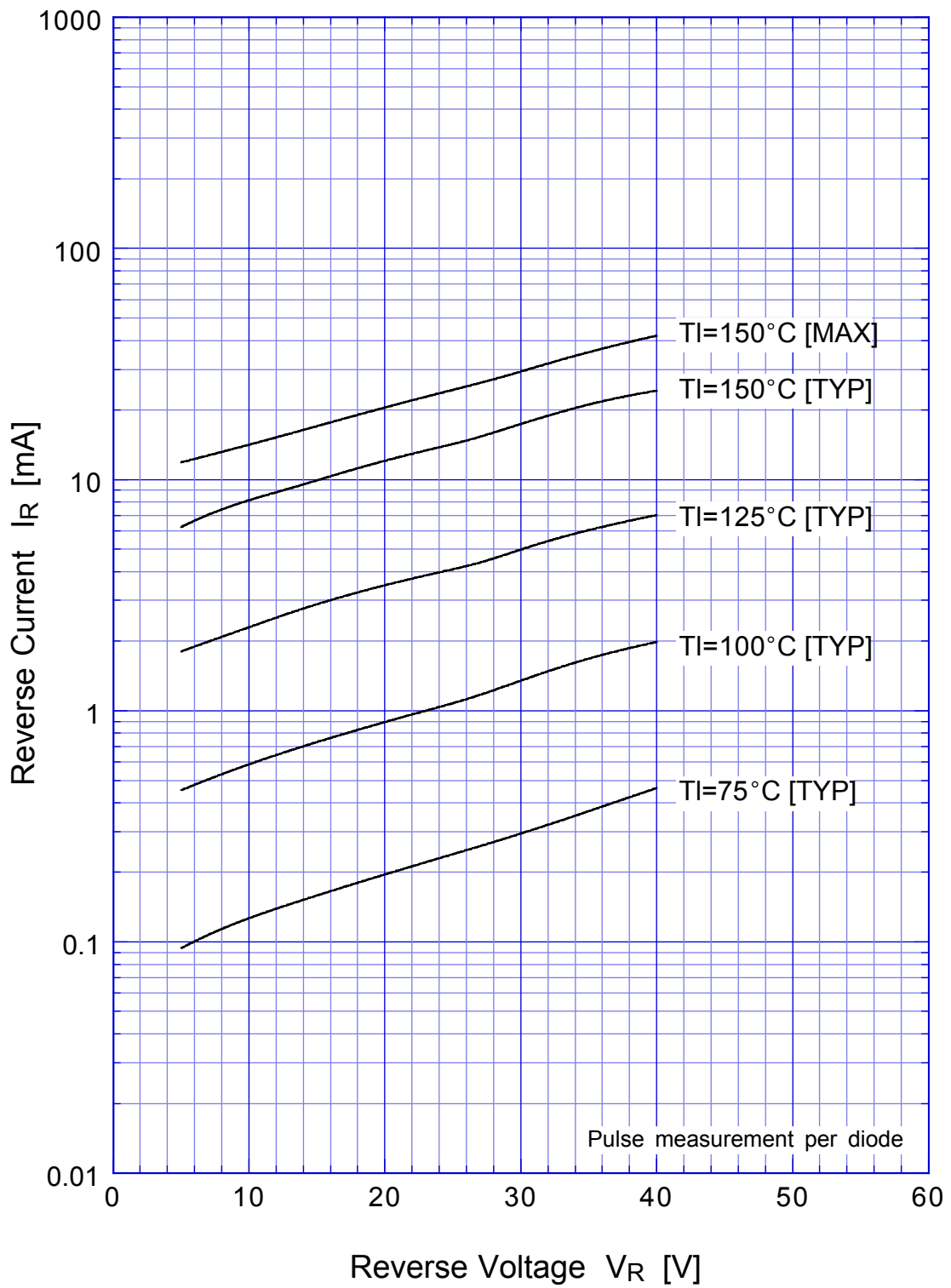
Junction Capacitance



Reverse Voltage V_R [V]

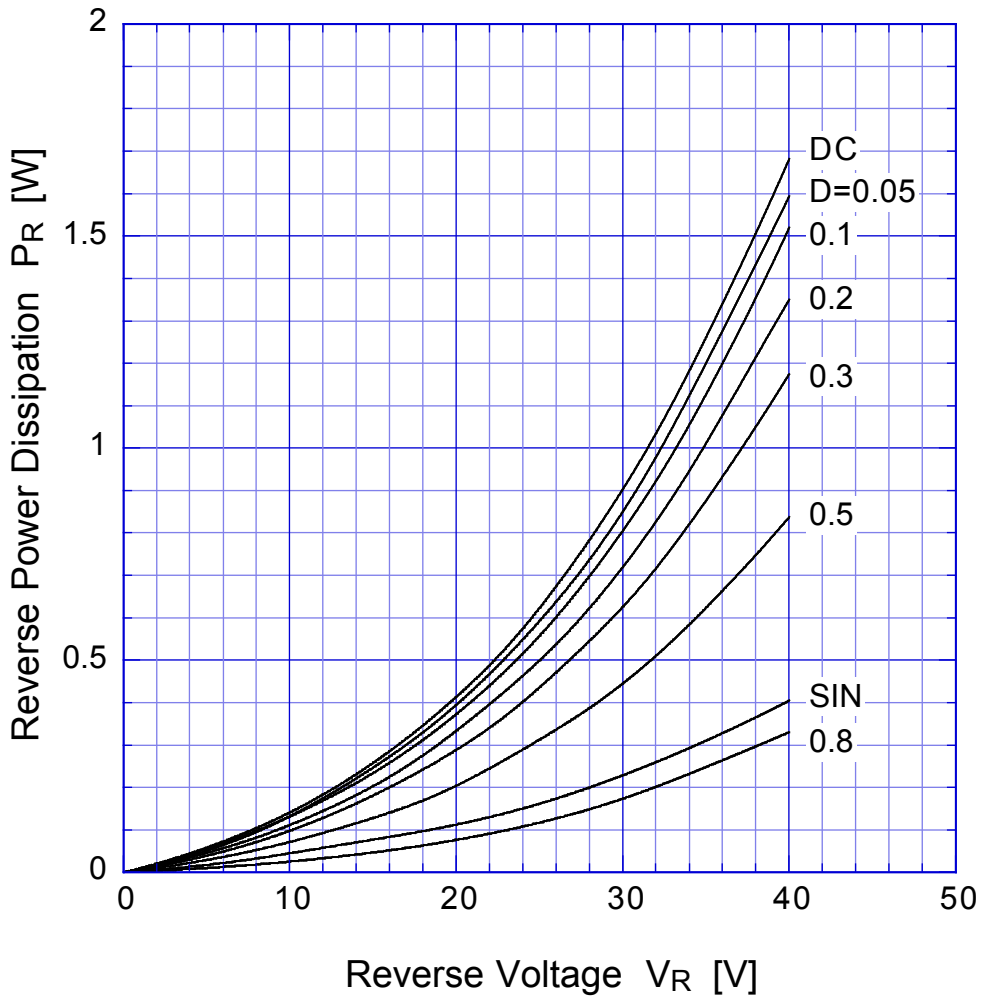
D1NS4

Reverse Current

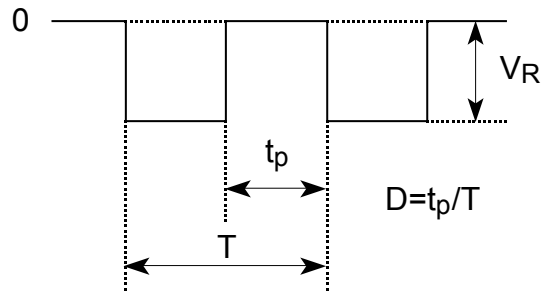


D1NS4

Reverse Power Dissipation

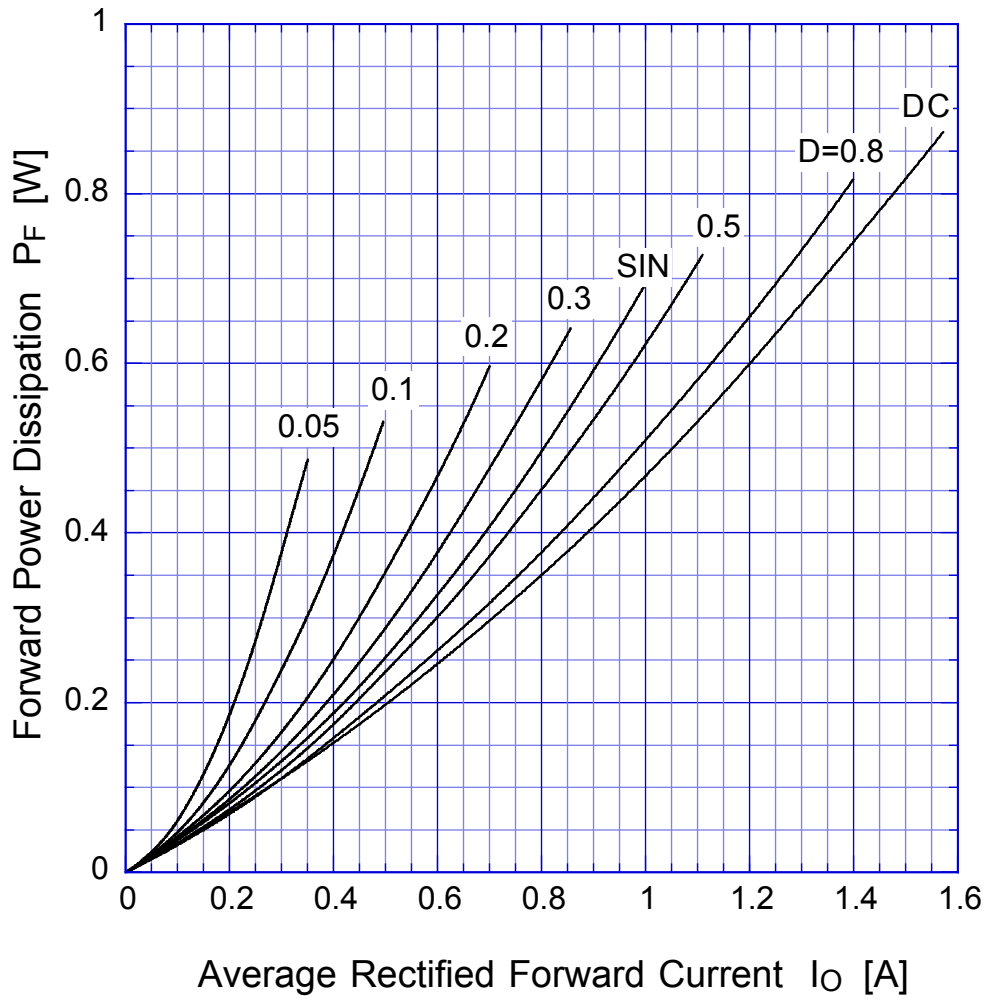


$T_j = 150^\circ\text{C}$

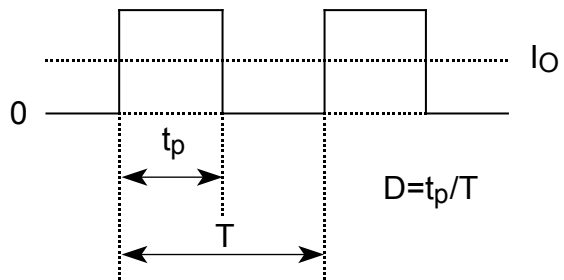


D1NS4

Forward Power Dissipation

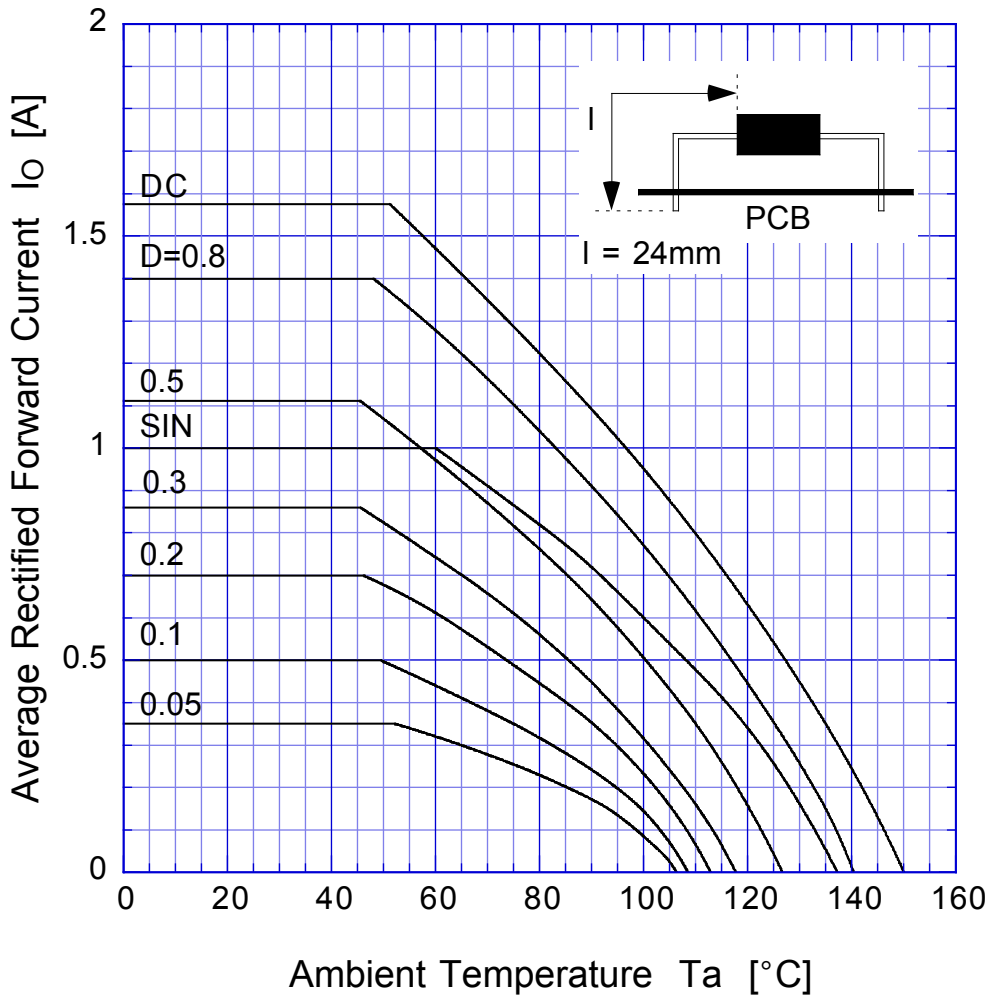


$T_j = 150^\circ\text{C}$

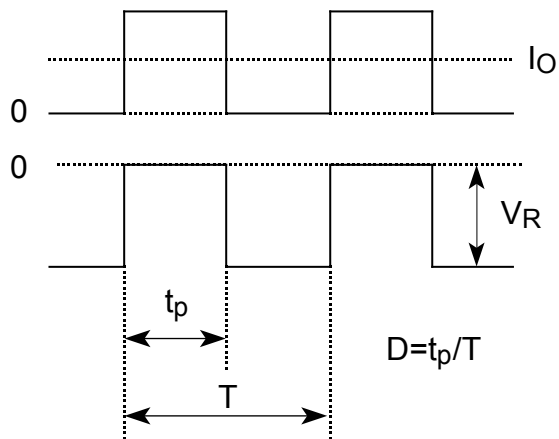


D1NS4

Derating Curve

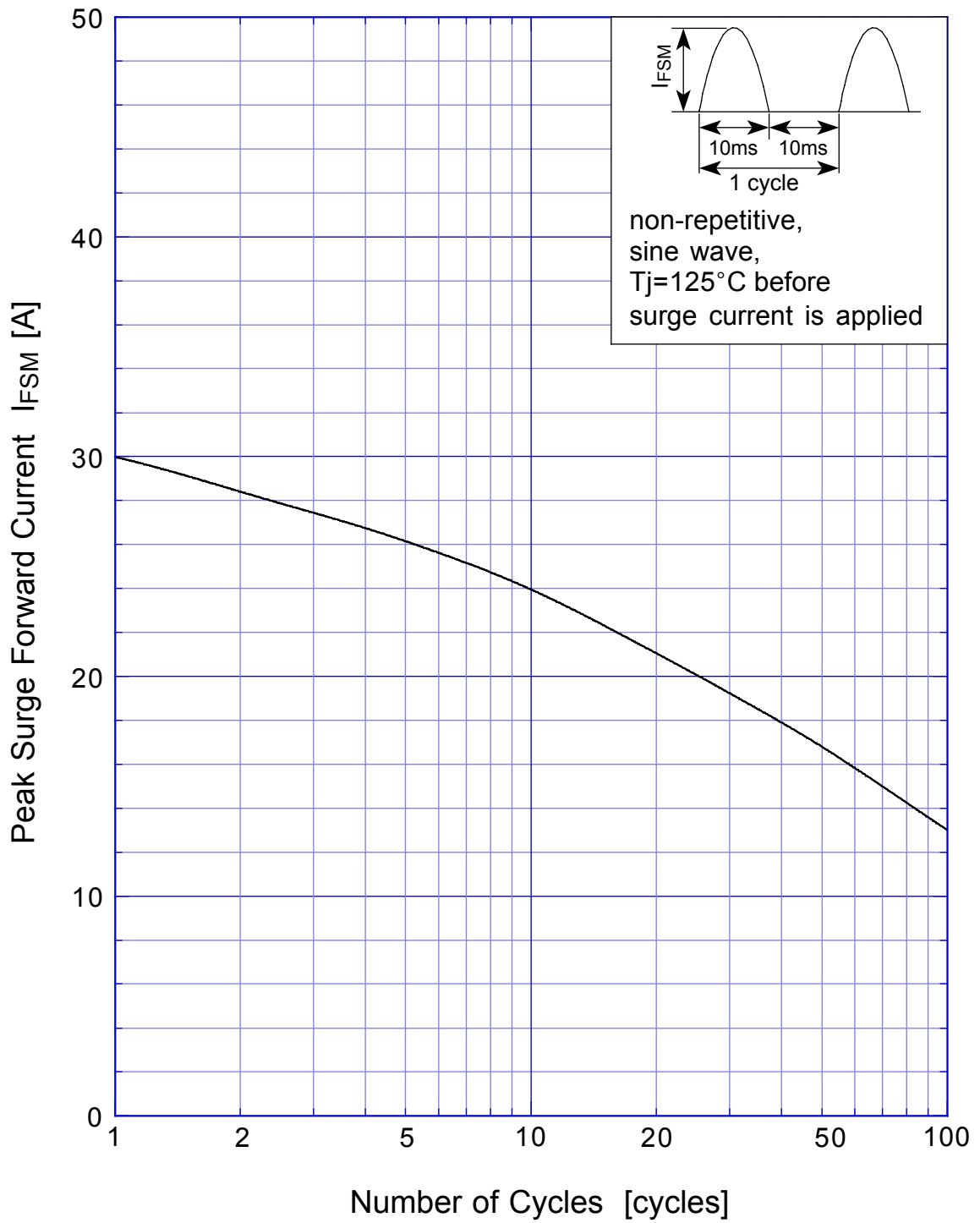


$V_R = 20\text{V}$

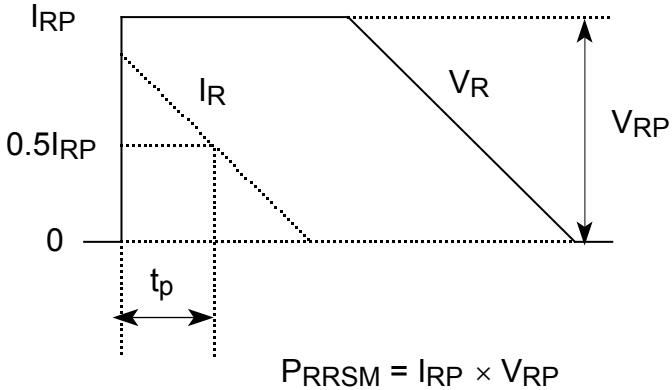
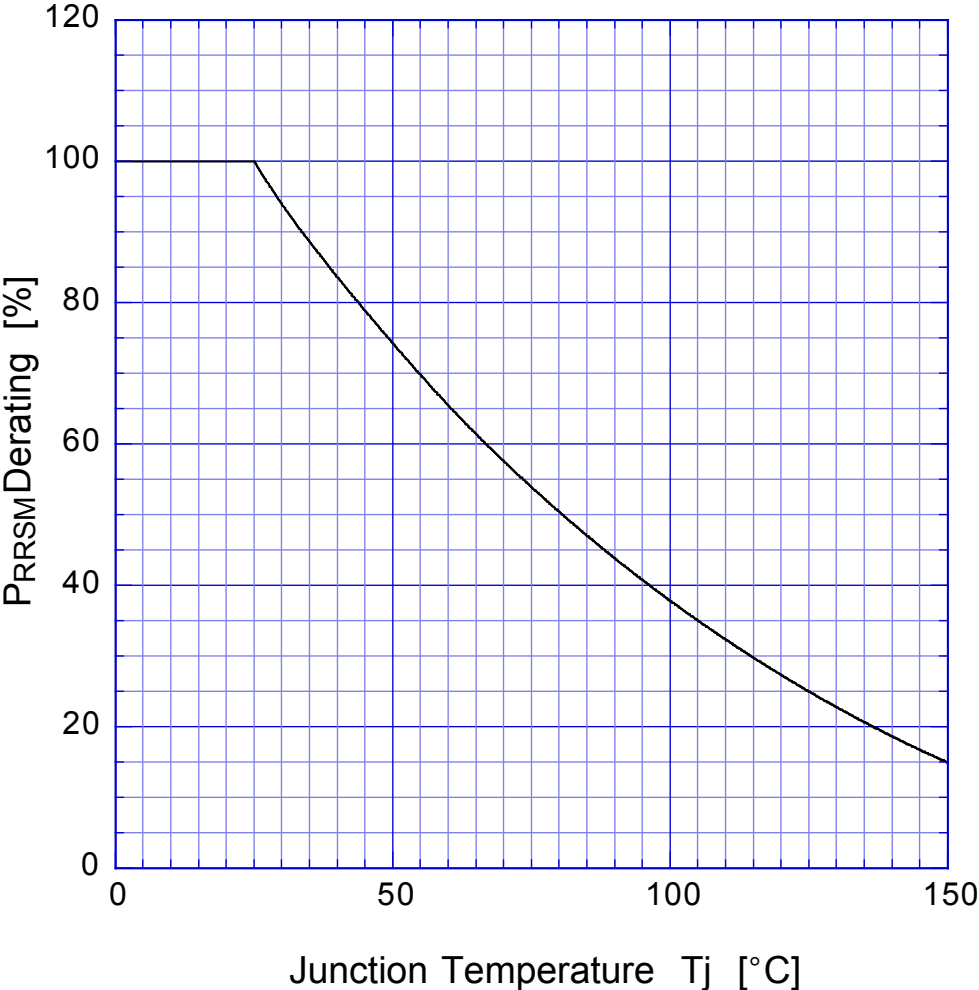


D1NS4

Peak Surge Forward Capability



SBD Repetitive Surge Reverse Power Derating Curve



SBD

Repetitive Surge Reverse Power Capability

