

# Features

## LED Dimmer

- suitable for 1-10V dimmable LED drivers
- with pressure two-way switch and thermal link

### Description

The new REPOT01-10 is an electronic Potentiometer which is the perfect complement to our upcoming LED drivers RACD45-A, RACD60-A, RACD100-A and RACD150-A. It is also possible to power any LED Driver that offers a 1-10V dimming input because it works as a current sink and not as an ordinary potentiometer. The REPOT includes an adjustable minimum dimming level and a switch contact to turn off the driver completely. The warranty is 5 years.

### Selection Guide

Part Number	Input Voltage Range (VAC)	Dim Control Current (mA)	Dim Control Voltage (VDC)
REPOT1-10	198-264	40	1-10

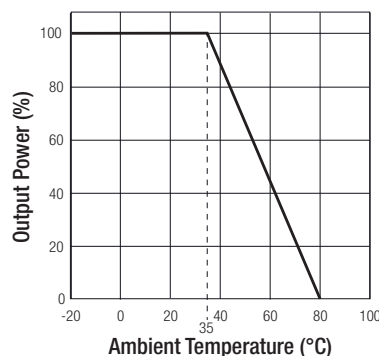
### Specifications (measured at T<sub>A</sub>= 25°C, nominal input voltage, rated load)

PROTECTION		
Parameter	Type	Value
Input Fuse <sup>(1)</sup>		0.8A, slow blow
<b>Notes:</b>		
Note1: Each dimmer contains a spare fuse inside the white protective cover.		

### ENVIRONMENTAL

Parameter	Condition	Value
Operating Temperature Range max. Case Temperature Range	with derating	-10°C to +80C, Ambient 80°C max.

#### Derating Graph



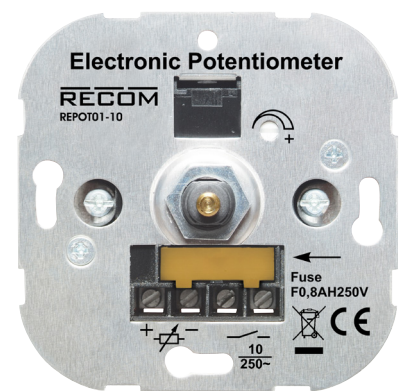
### SAFETY AND CERTIFICATIONS

Certificate Type (compliant)	Standard
Switches for household and similar fixed-electrical installations - General requirements	EN-60669-1:2008
Switches for household and similar fixed electrical installations - Particular requirements	EN-60669-2-1:2010

**RECOM**  
DIMMER

## REPOT

## Electronic Potentiometer



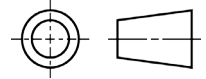
EN60669-1 compliant  
EN60669-2-1 compliant

Refer to Applications Notes

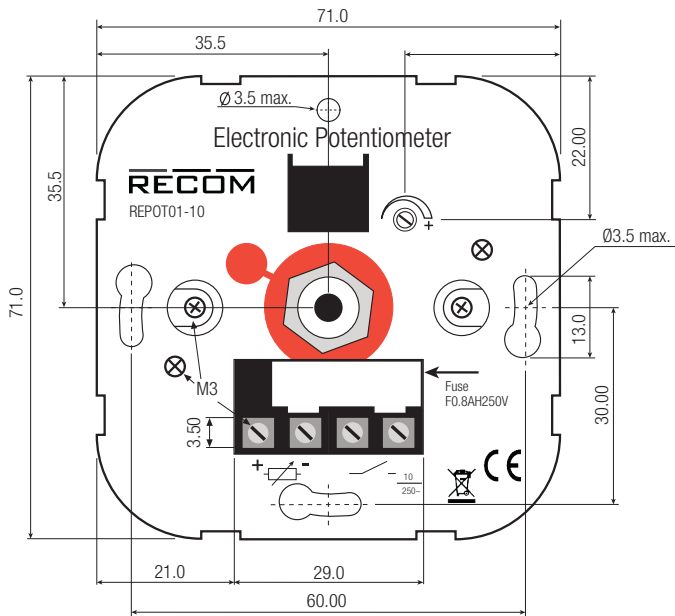
Specifications (measured at  $T_A = 25^\circ\text{C}$ , nominal input voltage, rated load)

DIMENSIONS and PHYSICAL CHARACTERISTICS		
Parameter	Type	Value
Case Material		Metal
Dimensions (LxWxH)		71.0 x 71.0 x 35mm
Weight		70g
Connection	Input Output	Screw Terinal (1.5-2.5mm <sup>2</sup> ) Screw Terinal (1.5-2.5mm <sup>2</sup> )

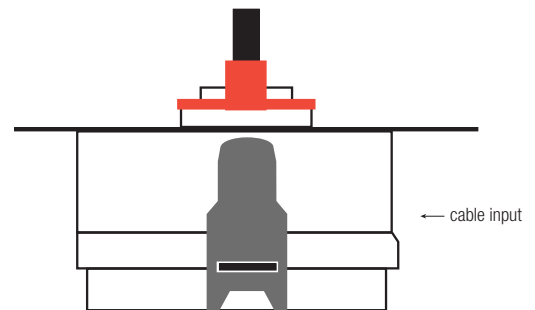
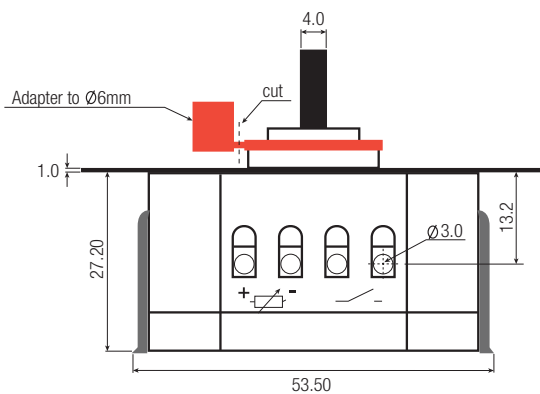
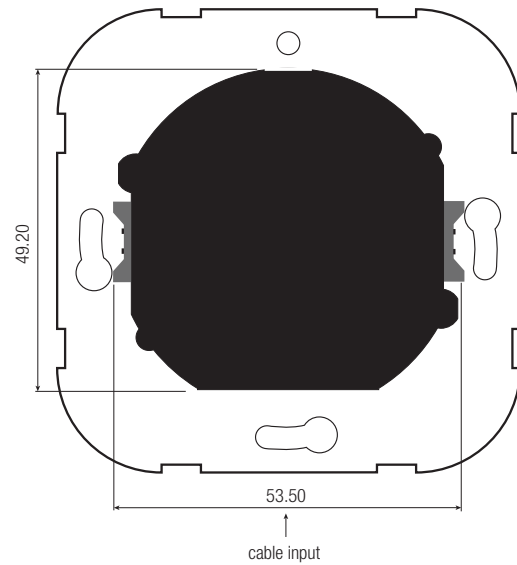
Mechanical Dimensions



Top View



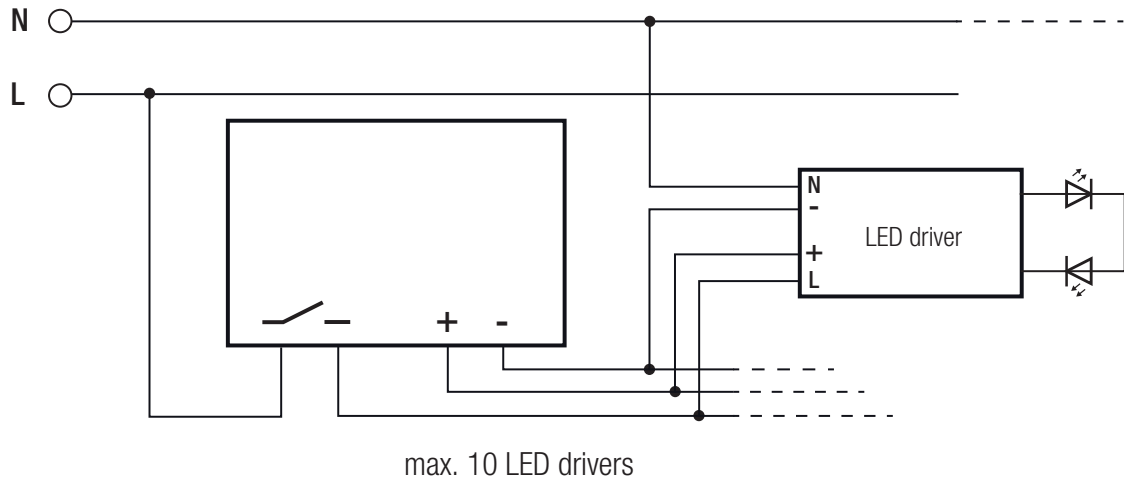
Bottom View



Tolerance:  $\pm 0.5\text{mm}$

Specifications (measured at T<sub>A</sub>= 25°C, nominal input voltage, rated load)

**INSTALLATION**



**Notes:**

Note2: To set the basic brightness, set the actuating button to the left stop minimum brightness). Now use a screw driver to set the desired basic brightness on the potentiometer. Pursuant to EN60699-2-1 the basic value should be set in such a way that the light visibly glows over the entire load range (at nominal voltage -10%) when it's set to dark position.

Note3: Dimmer designed for RACT20.

**PACKAGING INFORMATION**

Parameter	Type	Value
Packaging Dimension (LxWxH)	Cardboard Box	73 x 73 x 53mm
Packaging Quantity		1 pcs