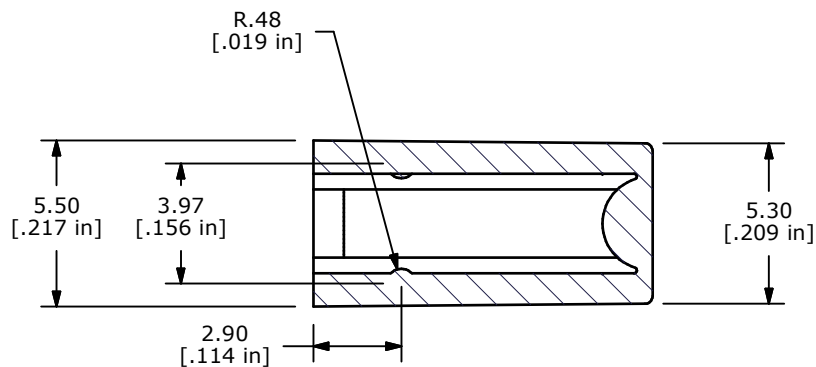
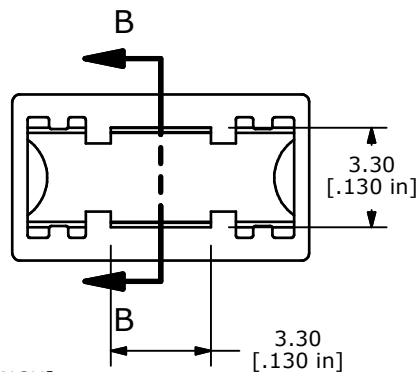
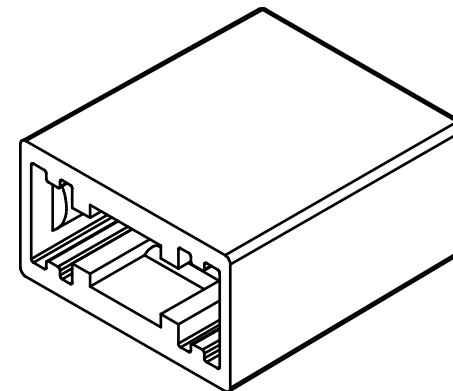
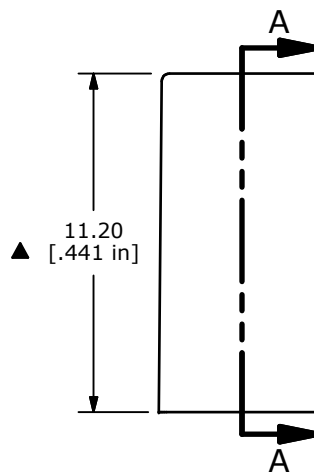


SECTION A-A
SCALE 4 : 1



SECTION B-B
SCALE 4 : 1

NOTE:

1. ALL DIMENSIONS IN MM[INCH]
2. GENERAL TOLERANCE: X.XX±0.15
- ▲3. MATERIAL: ABS UL94HB
- ▲4. COLOR: GRAY, PANTONE COLOR 423C
5. ▲ DENOTES CRITICAL PARAMETER
6. 2002/95/EC (ROHS) COMPLIANT

| | | | | |
|-----|--------|---------------------------------|----------|----|
| C | 17591 | CHANGED DIM. 2.85 TO 2.90 | 8/27/07 | BF |
| B | 15818 | PANTONE COLOR FROM 429C TO 423C | 2/23/06 | PH |
| A | 15624 | NEW RELEASE | 12/21/05 | PH |
| REV | PCR NO | DESCRIPTION | DATE | BY |



TITLE TACGRY

| | | | | |
|-------|-----------|----|---------|-----|
| SCALE | DATE | DR | DWG | REV |
| 4:1 | 8/27/2007 | BF | T041623 | C |

THE INFORMATION CONTAINED IN THIS DOCUMENT IS PROPRIETARY TO E-SWITCH AND IS NOT TO BE COPIED OR TRANSFERRED