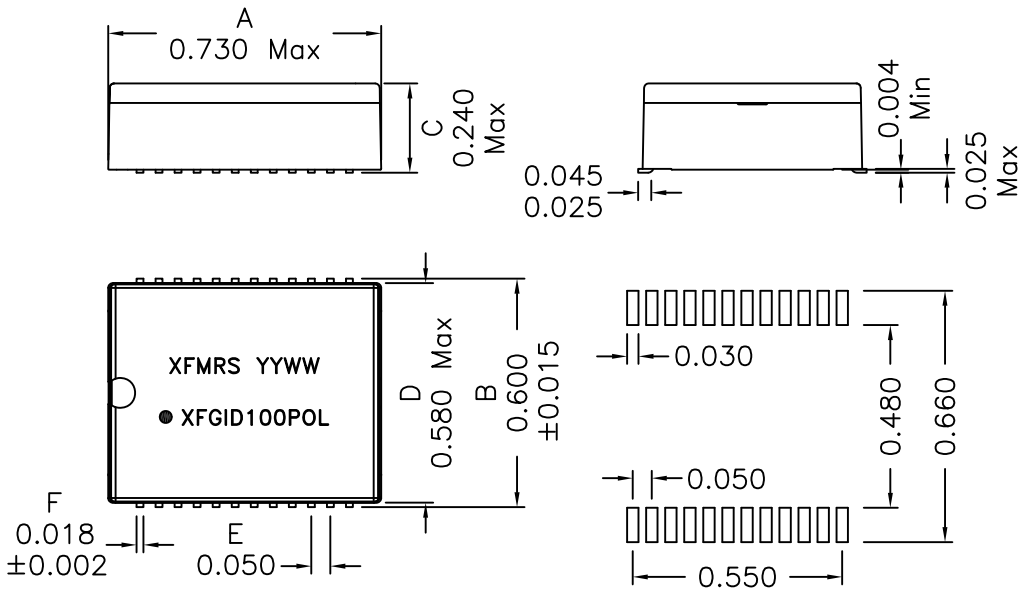


1. Mechanical Dimensions:

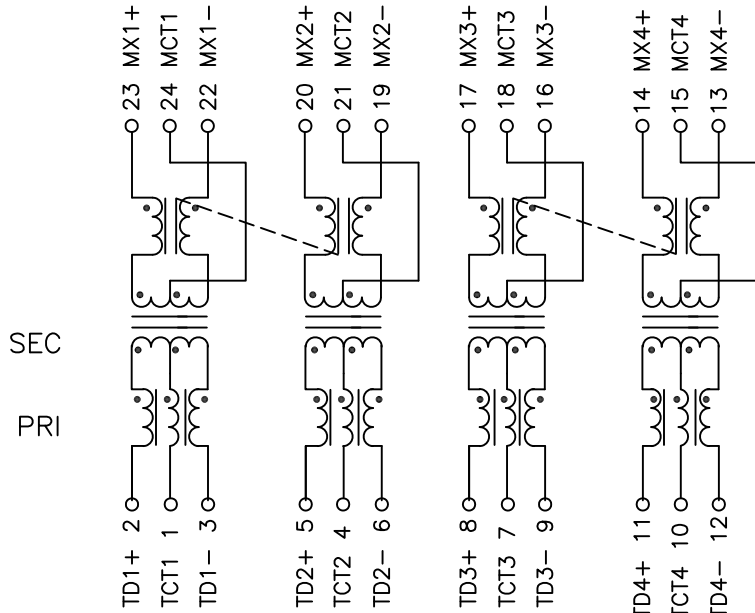


3. Electrical Specifications: @25°C

ISOLATION: 1500Vrms
 TURNS RATIO: (PRI/SEC) 1CT:1CT ±2%
 SEC OCL: 350uH Min @100KHz 100mV, 8mAdc
 Rise Time: 1.75ns Max.
 INSERTION LOSS: -1.2dB MAX @300KHz-125MHz
 RETURN LOSS: -18dB Min @500KHz-40MHz
 -15dB Min @40MHz-60MHz
 -12dB Min @60MHz-80MHz
 -10dB Min @80MHz-100MHz
 CMRR: -40dB Min @100KHz-100MHz
 Crosstalk: -35dB Min @300KHz-100MHz
 Pri DCR: 1.2 Ohms Max each
 Rated Current: 390mA Max @57Vdc Thru Sec CTs

2. Schematic:

SUGGESTED PAD LAYOUT



Notes:

- Solderability: Leads shall meet MIL-STD-202G, Method 208H for solderability.
- Flammability: UL94V-0
- ASTM oxygen index: > 28%
- Insulation System: Class F 155°C. UL file E151556
- Operating Temperature Range: All listed parameters are to be within tolerance from -40°C to +85°C
- Storage Temperature Range: -55°C to +125°C
- Aqueous wash compatible
- SMD Lead Coplanarity: ±0.004"(0.102mm)
- Electrical and mechanical specifications 100% tested
- RoHS Compliant Component
- IEEE802.3af Compliant

DOC REV: B/1

XFMRS Inc www.XFMRS.com		Title: 1000BASE-T PoE Module	
UNLESS OTHERWISE SPECIFIED		P/N: XFGID100POL	REV. B
TOLERANCES: .xxx ±0.010		DWN.	Mei Chen Jun-12-12
Dimensions in INCH		CHK.	YK Liao Jun-12-12
SCALE 2:1 SHT 1 OF 1		APP.	BSJ Jun-12-12

PROPRIETARY

Document is the property of XFMRS Group & is not allowed to be duplicated without authorization.