

Data Sheet



Helping Engineer the Technology of Power

ICE Components, Inc.

Tel 678-560-9172 Fax 678-560-9304

cust.serv@icecomp.com

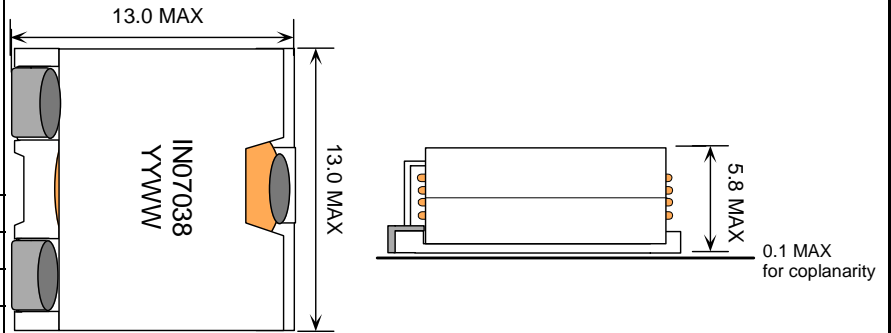
www.icecomponents.com

1165 Allgood Rd., Ste. #20, Marietta, GA 30062

General Information

Customer	
Part Number	IN07038
Revision	0
Description	Inductor
Date	AUG-07-2009
Reference	--
Doc Control #	--
Issue(For ICE use only)	--

Mechanical Drawing



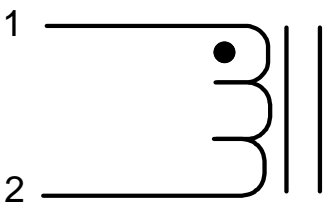
unit:mm

Specification

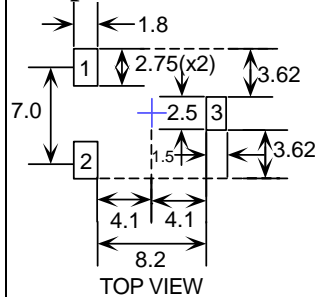
Sample Test Data

Item	Pins	Spec	Test Condition	Sample Test Data
Inductance	1 - 2	4.7 uH +/- 15%	100 kHz, 1Vrms, series (0Adc)	
	1 - 2	3.76 uH min	100 kHz, 1Vrms, series (10.5Adc)	
DCR	1 - 2	9.0 mOhm +/- 10%	+25 deg C	
Isat at 25degC	1 - 2	12 Adc max		
Isat at -40degC	1 - 2	12 Adc max		
Isat +125degC	1 - 2	8.5 Adc max		

Schematic

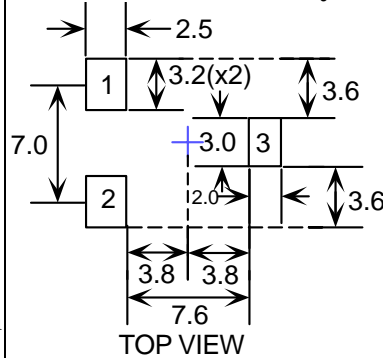


Footprint



unit:mm

Recommended PCB Layout



unit:mm

Remark

1. Operating temperature range: -40degC to +130degC.
2. Inductance vs. Current Curve as attached.
3. This is RoHS compliant product.
4. Isat is the current at which the inductance drops by 15%.

Sample approval is required before release to production. Sample specifications take precedence over customer specifications.

Customer Signature

Rev.	Description	PRD	CHK	APP	Date	NTFY
0	Initial release	Emily	Gary	L. L. Chou	2009/8/7	2009/8/7

Inductance vs. Current

