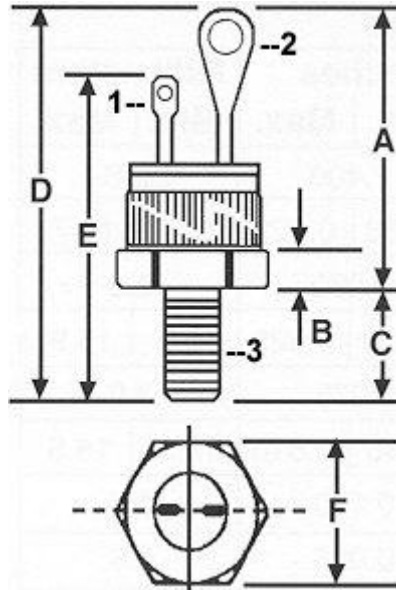




**P.O. BOX 104  
133 KINGS ROAD  
MADISON NJ 07940**

**40 AMP 1/2" PRESS FIT  
STUD MOUNT SCR**



# MCR3935-\*

1. GATE
2. Cathode
3. Anode (stud)

SYM.	INCHES	
A	1.150	
B	0.114	0.110
C	0.453	0.422
D	1.603	1.572
E	1.243	1.132
F	0.562	0.544

MAXIMUM RATINGS	SYMBOL	DEVICE NUMBERS	UNITS
REPETITIVE PEAK OFF-STATE VOLTAGE AND REPETITIVE PEAK REVERSE VOLTAGE GATE OPEN, AND T <sub>J</sub> = 110° C	50 100 200 400 600	-2 -3 -4 -6 -8	VOLT
RMS ON-STATE CURRENT AT T <sub>C</sub> = 80° C AND CONDUCTION ANGLE OF 360°	IT(RMS)	40	AMP
PEAK SURGE (NON-REPETITIVE) ON-STATE CURRENT, ONE-CYCLE, AT 50HZ OR 60HZ	ITSM	400	AMP
PEAK GATE - TRIGGER CURRENT FOR 3μSEC. MAX.	IGTM	2	AMP
PEAK GATE - POWER DISSIPATION AT IGT ≤ IGTM	PGM	20	WATT
AVERAGE GATE - POWER DISSIPATION	PG(AV)	0.5	WATT
STORAGE TEMPERATURE RANGE	TSTG	-40 to +150	°C
OPERATING TEMPERATURE RANGE, T <sub>J</sub>	TOPER	-40 to +150	°C
PEAK OFF - STATE CURRENT GATE OPEN, T <sub>C</sub> =110°C VDRM & VRRM=MAX. RATING	IDRM & IRRM	1.0	MA MAX.
MAXIMUM ON - STATE VOLTAGE, (PEAK) AT T <sub>C</sub> = 25° C AND I <sub>T</sub> = RATED AMPS	VTM	1.6	VOLT MAX.
DC HOLDING CURRENT, GATE OPEN AND T <sub>C</sub> = 25° C	IHO	50	MA MAX.
CRITICAL RATE-OF-RISE OF OFF-STATE VOLTAGE, GATE OPEN, T <sub>C</sub> = 110° C	CRITICAL dv/dt	200	V/μSEC.
DC GATE-TRIGGER CURRENT FOR ANODE VOLTAGE = 12VDC, R <sub>L</sub> = 60 Ω AND AT T <sub>C</sub> = 25° C	IGT	25	MA MAX.
DC GATE - TRIGGER VOLTAGE FOR ANODE VOLTAGE = 12VDC, R <sub>L</sub> = 60 Ω AND AT T <sub>C</sub> = 25° C	VGT	2.0	VOLT MAX.
GATE-CONTROLLED TURN-ON TIME FOR T <sub>D</sub> + T <sub>R</sub> , IGT = 150 MA AND T <sub>C</sub> = 25° C	T <sub>gt</sub>	2.5	μSEC.
THERMAL RESISTANCE, JUNCTION-TO-CASE	RθJ-C	1.4	°C/WATT TYP