

Type: SCR1021

Preliminary

◆ **Product Description**

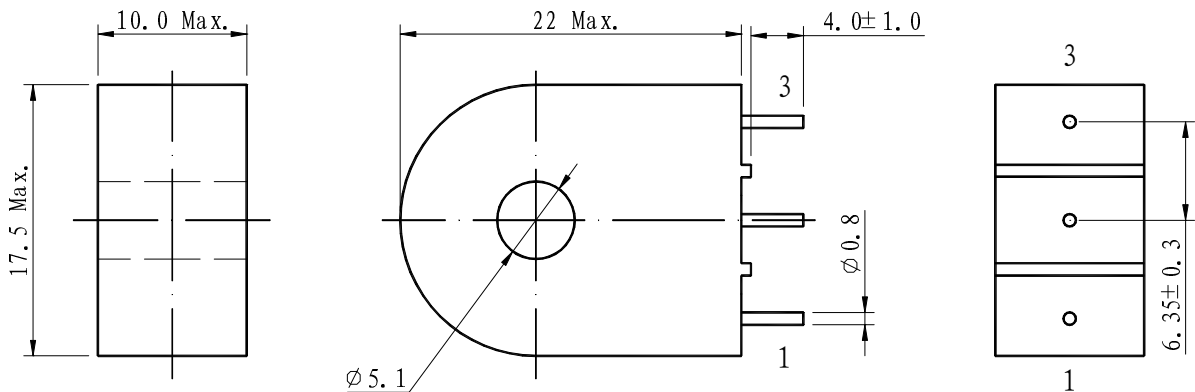
- 17.5×10.0mm Max.(L×W), 22.0mm Max.(Height)
- Custom design is available.



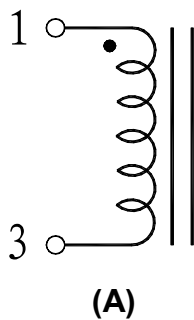
◆ **Feature**

- Maximum ratings specified with rated secondary terminating resistance and 1 turn primary.
- Designed for switching power supply application.
- Transformer meets IEC950 insulation requirement.
- Operating Frequency range: 20kHz~200kHz.
- RoHS Compliance

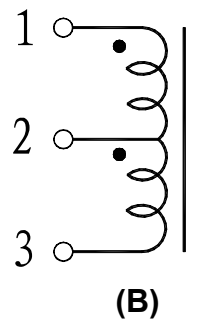
◆ **Dimensions (mm)**



◆ **Schematics (Bottom)**



“●” Indicates winding start.



“●” Indicates winding start.

Type: SCR1021
Preliminary
◆ Specification

No.	Sample No.	Turns Ratio	Secondary L 10kHz/0.1V [Within]	D.C.R. Sec. (Ω Max.)	Current 1 turn Pri. (A)	Hi-pot(Pri.-Sec.) (50/60Hz)	Schematic
01	PS05-163	1:50	7.70mH±35%	0.72	20	AC4000Vrms	A
02	PS05-164	1:100	30.9mH±35%	1.50	20	AC4000Vrms	A
03	PS05-165	1:150	69.5mH±35%	2.80	20	AC4000Vrms	A
04	PS05-166	1:200	123.6mH±35%	4.80	20	AC4000Vrms	A
05	PS05-167	1:250	193.0mH±35%	7.50	20	AC4000Vrms	A
06	PS05-168	1:300	278.0mH±35%	11.0	20	AC4000Vrms	A
07	PS05-169	1:400	494.5mH±35%	18.6	20	AC4000Vrms	A
08	PS05-170	1:25:25	1.93mH±35%	0.40	20	AC4000Vrms	B
09	PS05-171	1:50:50	7.70mH±35%	0.75	20	AC4000Vrms	B
10	PS05-172	1:100:100	30.9mH±35%	2.50	20	AC4000Vrms	B
11	PS05-173	1:150:150	69.5mH±35%	5.50	20	AC4000Vrms	B