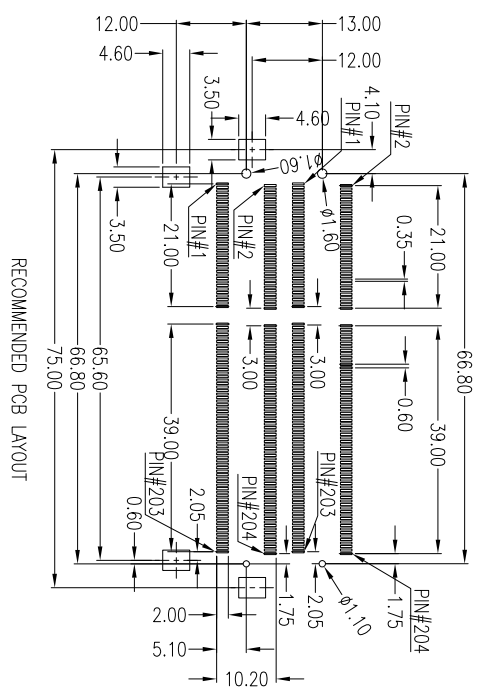
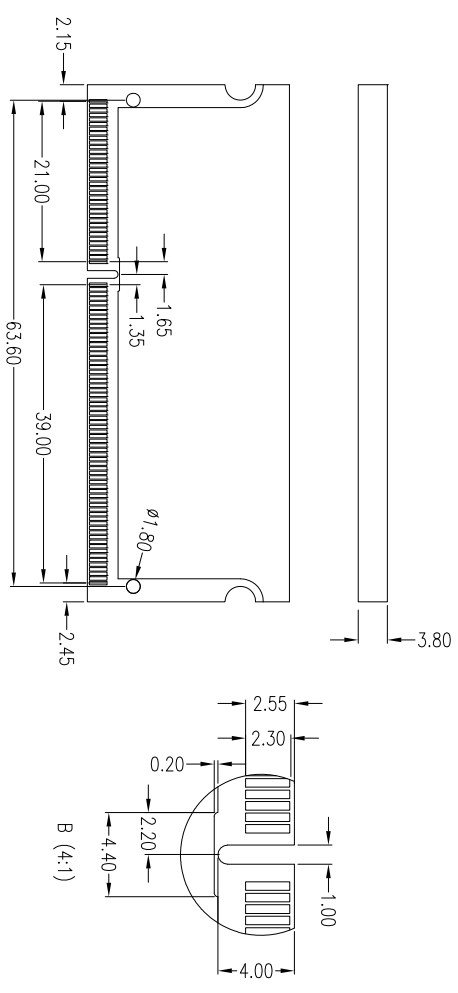
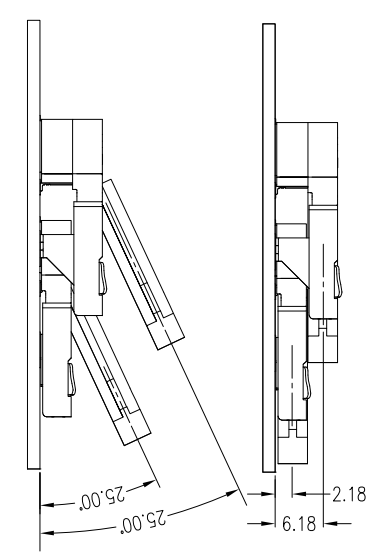
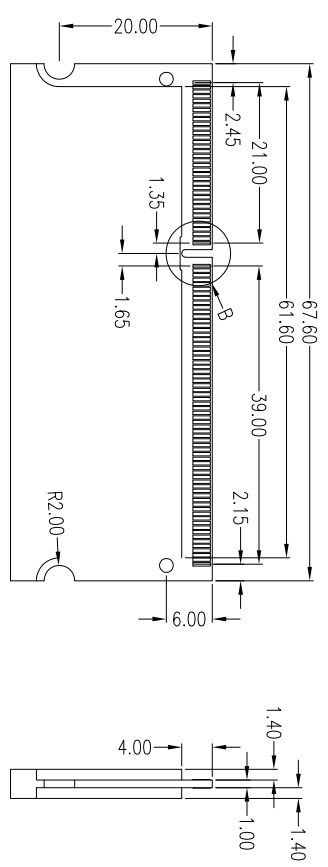
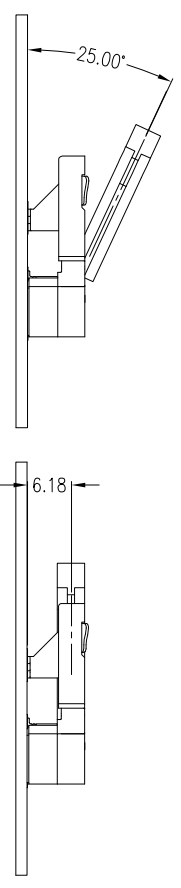


APPROVED: \_\_\_\_\_  
 DATE: \_\_\_\_\_ TITLE: \_\_\_\_\_

Rev	AWO #	Description	Date	Appr
		SEE SHT 1 OF 2 FOR REVISION		



RECOMMENDED PCB LAYOUT



UNLESS OTHERWISE SPECIFIED  
 ALL DIMENSIONS ARE MM  
 TOLERANCES: EXCEPT AS NOTED  
 INCHES

.X	± .10	ØX	± .10
.XX	± .020	ØXX	± .015
.XXX	± .015	ØXXX	± .010

APPROVALS: \_\_\_\_\_ DATE: \_\_\_\_\_

DRAWN: DY DATE: 11/19/10

CHECKED: \_\_\_\_\_

APPROVED: \_\_\_\_\_

**ADAM TECH**  
 909 Railway Avenue, Union, NJ 07083  
 Phone: 908-687-5000 Fax: 908-687-5710

TITLE: SO DIMM SOCKET, 204 PIN, SMT  
 1.5V DRAM, 8.0MM HEIGHT, REVERSE