



## BIAS 6 Watt LED Drivers

Universal Input/Output with AOVC™

BPWXL 6-9U-070 (700mA constant current)

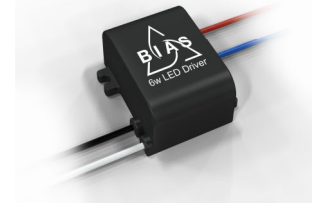
BPWXLD 6-9U-070 (700mA, 0-10 dimmable)

BPWXL 6-21U-035 (350mA constant current)

BPWXLD 6-21U-035 (350mA, 0-10 dimmable)

BPWXL 6-50U-012 (120mA constant current)

BPWXLD 6-50U-012 (120mA, 0-10 dimmable)



### Benefits

- Bias Adaptive Output Voltage Control, AOVC™ technology (patent pending) provides the broadest range of applications with the fewest driver SKUs and 75%+ efficiency across all string lengths
- Highly reliable, rugged construction for indoor or outdoor applications
- True 0-10 volt dimming with 1000:1 range, IEC 60929 compatible
- 1% current regulation and no flicker
- Color coded flying leads for simple assembly and installation
- AC line or DC load switching without overshoot on startup

### Features

- Universal Input (100-308 VAC, 50/60Hz)
- Universal Output with AOVC™ (3-21VDC@350mA), (3-9VDC@700mA) or (3-50VDC@120mA)
- Ingress protection to IP67
- -40 to +85°C ambient, 90°C maximum case temperature
- Flying Leads for AC and LED connections
- 3000 VAC Isolation
- 75% efficiency
- EN 55022, Class B; FCC Part 15, Class B
- Meets UL/CSA and EN Product Safety Requirements (UL 8750 Class 2)
- Overcurrent, short circuit (shorted string), open circuit (string break) and overload protected

### Operating Specifications

(@120VAC / 60 Hz / 25°C unless otherwise specified)



Electrical	
Input Voltage Range	100-308 VAC (50/60Hz)
Output Power (Pmax)	6 W nom (50/60Hz)
String Voltage (Minimum)	3.0 VDC
Efficiency	75% nom.
Temperature Regulation I <sub>o</sub> (Peak)	+/- 2%, P <sub>o</sub> < P <sub>max</sub>
Isolation	3000 VAC (meets UL/CSA & EN Product Safety)
Earth Leakage @ 120 VAC	< 10 uA
Short Circuit Protection	Continuous, Pin ≤ 0.7 w @ 120 VAC
Reliability @ 25° C, MIL HDBK-217F	> 500 Khr MTBF
0-10 VDC Dimming	Per IEC 60929, Annex E
Line Regulation, I <sub>o</sub> (Peak)	+/- 1%, P <sub>o</sub> < P <sub>max</sub>
AC Input Connections	Line BLK, Neutral WHT
DC Output Connections	Pos(+) RED, Neg (-) BLU
Dimming (0-10 VDC) Connections	Adjust PUR/Com GRY

Environmental	
Operating Temperature	-40 to 85° C
Case Temperature, maximum	90° C
Storage Temperature	-40 to 105° C
Ingress Protection	IP67
Mechanical	
Package Size (L x W x H)	1.9 x 1.74 x 0.94 inches
Lead Length	11", 18AWG 600V class
Safety and Standards	
Safety Compliance	ETL/UL 8750 Class 2/CAN/CSA c22.2
EMI Emissions	EN 55022, Class B, FCC Part 15, Class B
Standards Compliance	IEC61347-1, IEC61347-2-3

Model Number	Maximum String Voltage	Output Current	Dimming
BPWXL 6-9U-070	9 VDC	700 mA	N/A
BPWXLD 6-9U-070	9 VDC	0 - 700 mA	0 - 10 VDC, V <sub>d</sub>
BPWXL 6-21U-035	21 VDC	350 mA	N/A
BPWXLD 6-21U-035	21 VDC	0 - 350 mA	0 - 10 VDC, V <sub>d</sub>
BPWXL 6-50U-012	50 VDC	120 mA	N/A
BPWXLD 6-50U-012	50 VDC	0 - 120 mA	0 - 10 VDC, V <sub>d</sub>

5 Year Warranty - see Bias Power published warranty for specifics

BPWXL 6 Series Data Sheet, Page 1 of 2

BIAS Power +1 847 215 2427

Revised 3/12/2012

[www.biaspower.com](http://www.biaspower.com)

Specifications subject to change



# BIAS 6 Watt LED Drivers

Universal Input/Output with AOVC™

BPWXL 6-9U-070 (700mA constant current)

BPWXL 6-9U-070 (700mA, 0-10 dimmable)

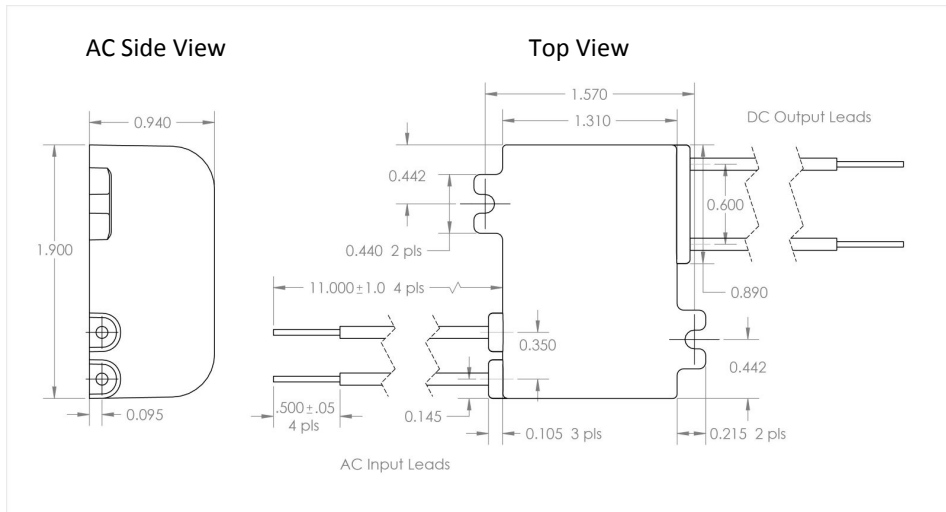
BPWXL 6-21U-035 (350mA constant current)

BPWXL 6-21U-035 (350mA, 0-10 dimmable)

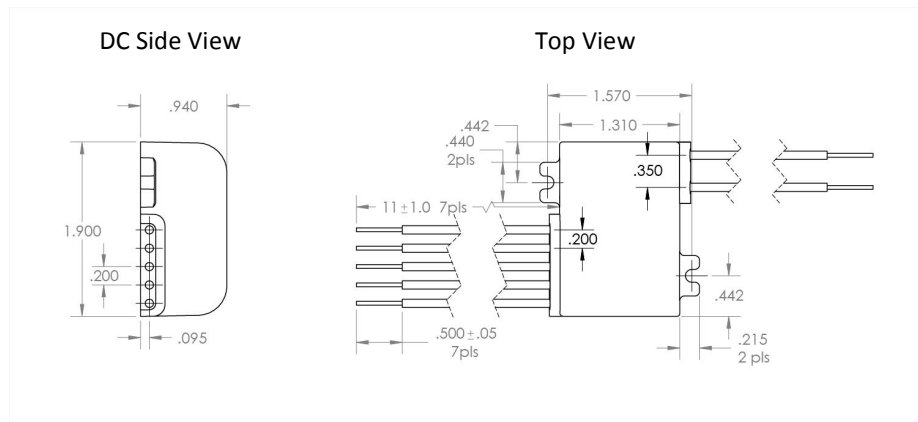
BPWXL 6-50U-012 (120mA constant current)

BPWXL 6-50U-012 (120mA, 0-10 dimmable)

BPWXL 6-9U-070  
BPWXL 6-21U-035  
BPWXL 6-50U-012



BPWXL 6-9U-070  
BPWXL 6-21U-035



# Mouser Electronics

Authorized Distributor

Click to View Pricing, Inventory, Delivery & Lifecycle Information:

[BIAS Power:](#)

[BPWXLD6-21U-035](#) [BPWXLD6-09U-070](#)