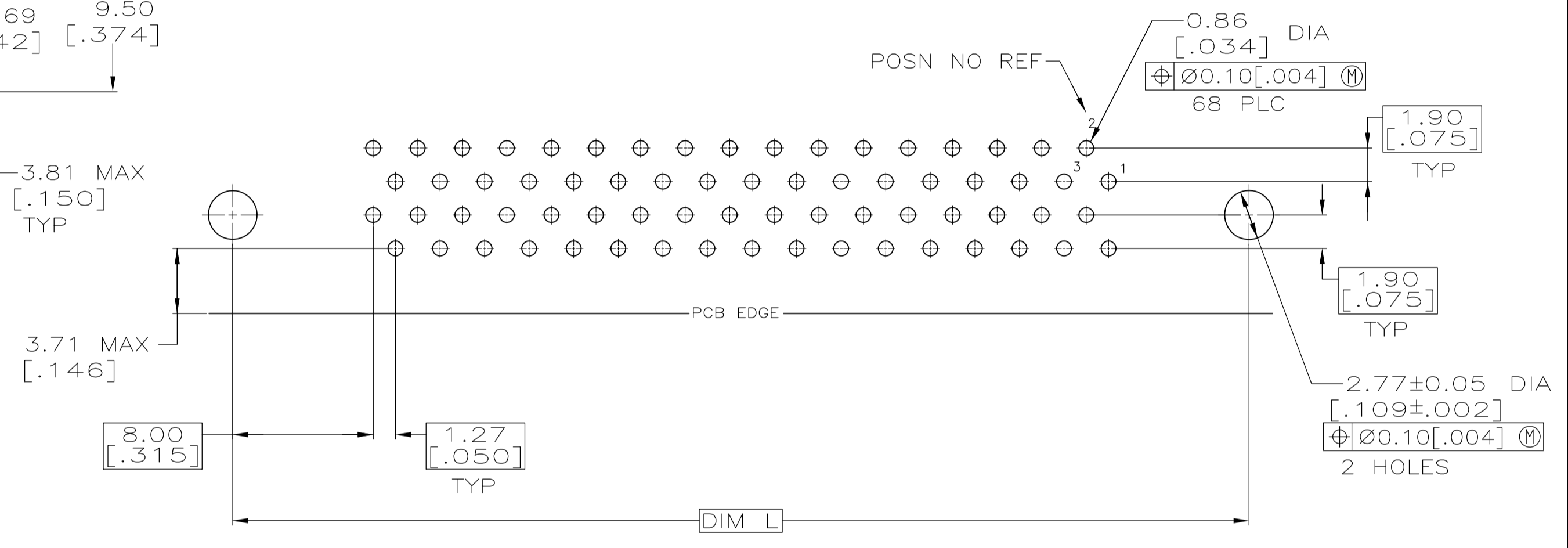
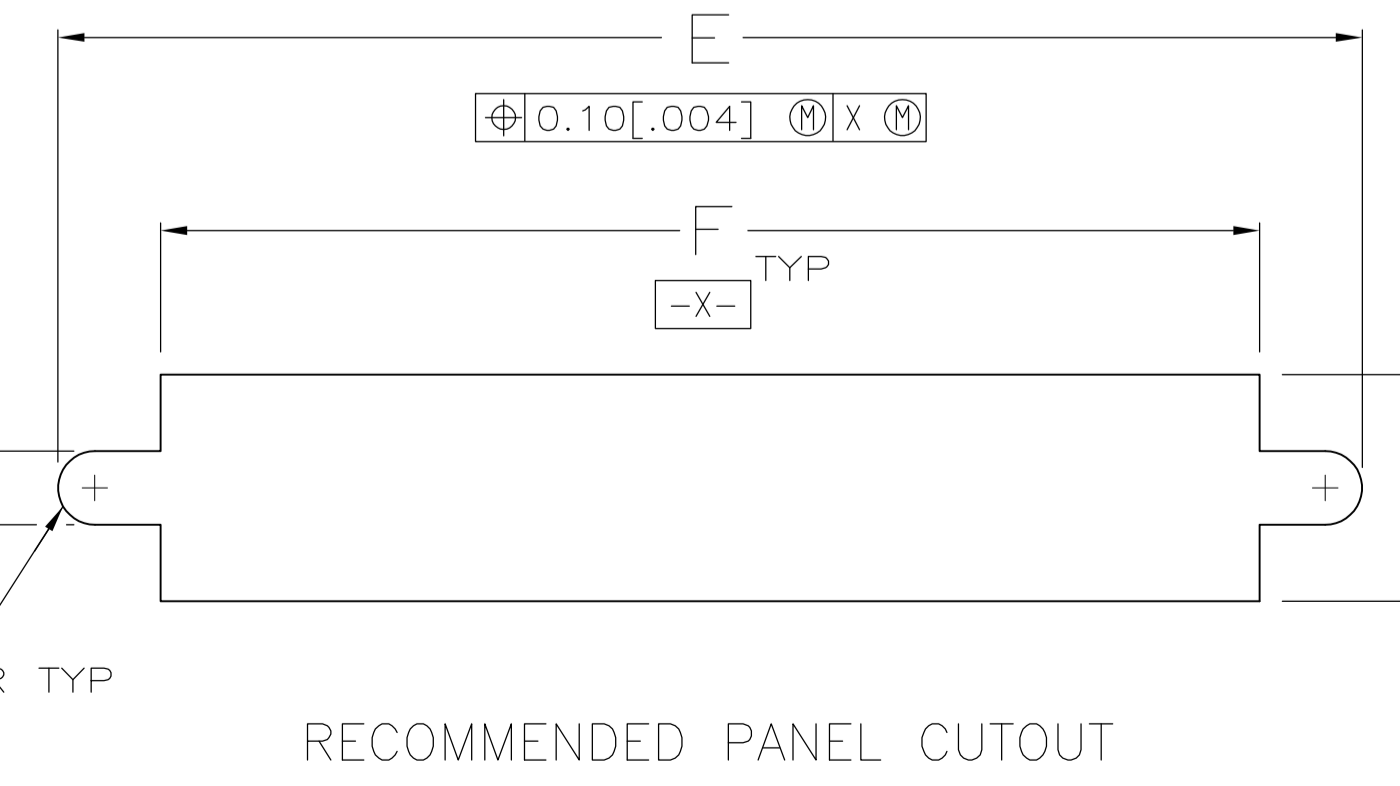
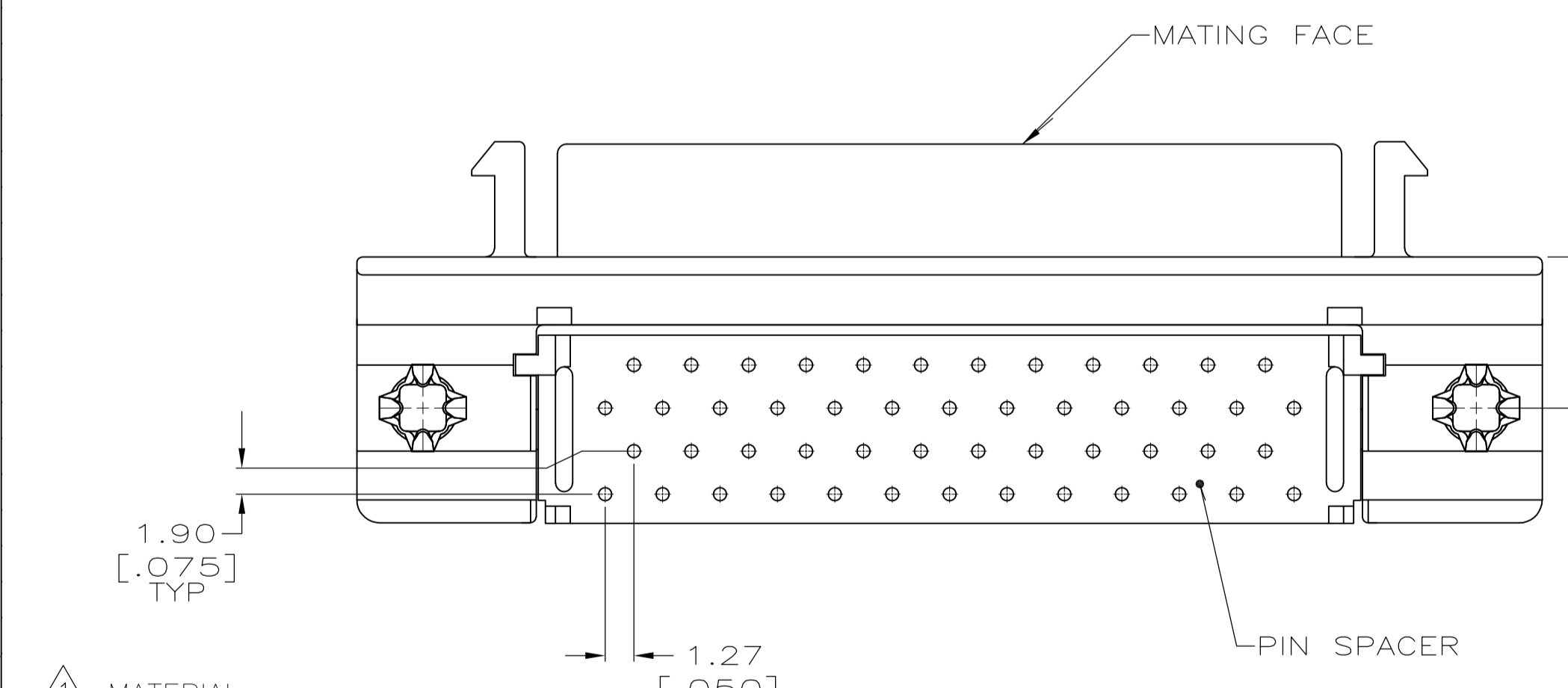


P.C. BOARD MOUNTING DIMENSIONS  
CONNECTOR SIDE  
P.C. BOARD THICKNESS 1.57±0.20 [.062±.008]  
PC BOARD PATTERN S



P.C. BOARD MOUNTING DIMENSIONS  
CONNECTOR SIDE  
P.C. BOARD THICKNESS 1.57±0.20 [.062±.008]  
PC BOARD PATTERN T



5 SUPERSEDED BY 5787082-5  
OBSOLETE

PACKAGING	BOARDLOCK FINISH	PC BOARD PATTERN	L	G	F	E	D	B	A	NO OF POSN	PART NUMBER
TUBE	4	T	78.23 [3.080]	0.64 [.025]	74.55 [2.935]	80.67 [3.176]	84.20 [3.315]	66.45 [2.616]	78.23 [3.080]	100	1-787082-8
TUBE	4	T	57.91 [2.280]	0.64 [.025]	54.23 [2.135]	60.35 [2.376]	63.88 [2.515]	46.13 [1.816]	57.91 [2.280]	68	1-787082-7
TUBE	4	S	46.48 [1.830]	1.27 [.050]	42.80 [1.685]	48.92 [1.926]	52.45 [2.065]	34.70 [1.366]	46.48 [1.830]	50	1-787082-6
TRAY	3	S	46.48 [1.830]	1.27 [.050]	42.80 [1.685]	48.92 [1.926]	52.45 [2.065]	34.70 [1.366]	46.48 [1.830]	50	1-787082-5
TUBE	3	T	78.23 [3.080]	0.64 [.025]	74.55 [2.935]	80.67 [3.176]	84.20 [3.315]	66.45 [2.616]	78.23 [3.080]	100	787082-9
TUBE	3	T	57.91 [2.280]	0.64 [.025]	54.23 [2.135]	60.35 [2.376]	63.88 [2.515]	46.13 [1.816]	57.91 [2.280]	68	787082-7
TUBE	3	S	46.48 [1.830]	1.27 [.050]	42.80 [1.685]	48.92 [1.926]	52.45 [2.065]	34.70 [1.366]	46.48 [1.830]	50	787082-5
TUBE	3	T	32.51 [1.280]	0.64 [.025]	28.83 [1.135]	34.95 [1.376]	38.48 [1.515]	20.73 [0.816]	32.51 [1.280]	28	787082-3
TUBE	3	S	31.24 [1.230]	1.27 [.050]	27.56 [1.085]	33.68 [1.326]	37.21 [1.465]	19.46 [0.766]	31.24 [1.230]	26	787082-2

1 MATERIAL  
CONTACTS: PHOSPHOR BRONZE  
HOUSING & PIN SPACER: UL 94V-0 RATED, THERMOPLASTIC, BLACK  
BRACKET: ZINC  
SHELL: CARBON STEEL  
BOARDLOCKS: COPPER ALLOY.

2 FINISH  
CONTACTS: EITHER 0.76µm [.000030] MIN GOLD PLATE FOR A LENGTH OF 0.64 [.025] MAX, 0.13 [.005] MIN FROM MATING END OR GOLD FLASH OVER PALLADIUM NICKEL PLATE, 0.76µm [.000030] MIN TOTAL FOR A LENGTH OF 0.64 [.025] MAX, 0.13 [.005] MIN FROM MATING END. 3.81µm [.000150] MIN TIN-LEAD FOR A LENGTH OF 2.72 [.107] MIN FROM OPPOSITE END, ALL OVER 1.27µm [.000050] MIN NICKEL UNDERPLATE.  
SHELL: 5.08µm [.000200] MIN NICKEL OVER 1.27µm [.000050] MIN COPPER.  
BRACKET 2.54µm [.000100] MIN NICKEL OVER 5.08µm [.000200] COPPER.

- 3 5.08µm [.000200] MIN TIN-LEAD OVER 1.27µm [.000050] MIN NICKEL.
- 4 3.00µm [.000118] MIN TIN OVER 1.27µm [.000050] MIN NICKEL.
- 5 OBSOLETE PARTS: OBSOLETE CIS STREAMLINING PER D.RENAUD/D.SINISI

THIS DRAWING IS A CONTROLLED DOCUMENT. DIN D. BROCKWAY 12-14-93  
CHK R. STONE 1-5-94  
APVD NAME

TE Connectivity  
RECEPTACLE ASSEMBLY, SHIELDED, RIGHT ANGLE, .050 SERIES, AMPLIMITE

PRODUCT SPEC 108-1228  
APPLICATION SPEC 114-40029  
WEIGHT  
CUSTOMER DRAWING

SCALE 4:1 SHEET 1 OF 1 REV Y2